

Double Flanged Gearbox & Lever Butterfly Valves



Our center line type butterfly valves have been developed with more than 20 years' scientific research & application experiences. They are with better torque control, easy operation, easy installation and maintenance.

Description:

The BVF Series Butterfly Valves are PN16 pressure rated, AS2129 Table E doubled flanged Ductile Iron bodied with a fusion bonded epoxy coating, 316SS Disc, Vulcanized NBR liner/seat as standard configuration.

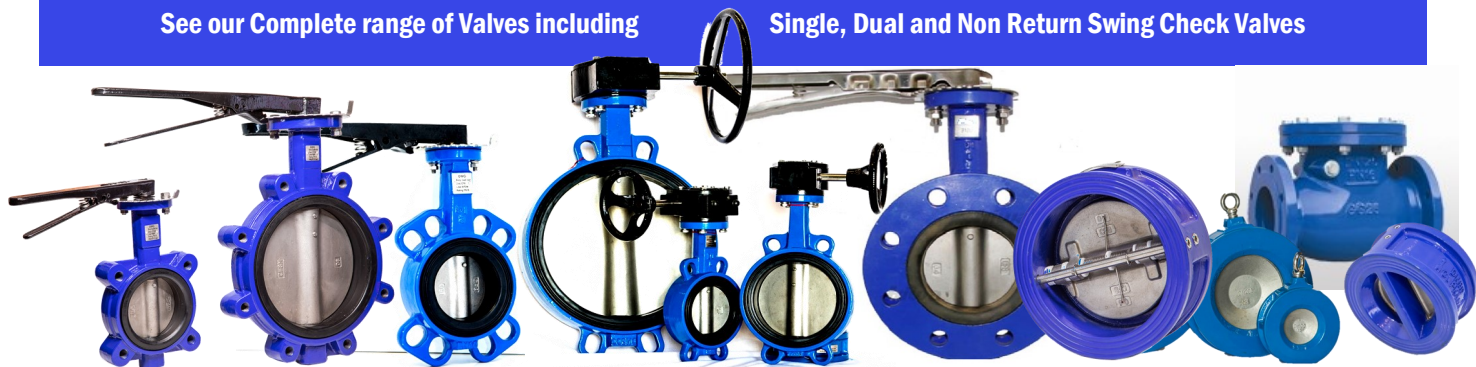
The ISO 5211 top mounting flange allows the valve to be operated by either standard lever (up to 300mm), Gearbox or actuator.

With the seat vulcanised to the body of the valve allows for various applications including Bi-directional and vacuum installations. Suitable for all industries and applications including Mining, Industrial, Civil, Marine, Agriculture, Water Treatment and Wastewater.

Other configurations can be manufactured upon request.

See our Complete range of Valves including

Single, Dual and Non Return Swing Check Valves



GWG GLOBAL WATER GROUP

Townsville: P: 07 4779 0173

48 Keane St. Currajong, QLD 4812.



Brisbane: P: 07 3517 5595

25 Staple St. Seventeen Mile Rocks, 4073

W: www.gwgvalvesandpoly.com.au

BUTTERFLY VALVE - FLANGED GEAR

CODE	DN	L	ØD	ØD2	ØC	n-Ød	b	f	H1	H2	H3	FLANG					
												E	ØN	ØC1	n1-Ød1	HxH	ØZ
BVFNG050-E	50	108	150	99	114	4 - 18	15.4	1.6	80	110	29	F05	65	50	4 - 8	11x11	
BVFNG065-E	65	112	165	118	127	4 - 18	15.4	1.6	80	134	29	F05	65	50	4 - 8	11x11	
BVFNG080-E	80	114	185	132	146	4 - 18	15	3	95	131	29	F07	90	70	4 - 10	11x11	
BVFNG100-E	100	127	215	158	178	8 - 18	17	3	114	50	29	F07	90	70	4 - 10	11x11	
BVFNG125-E	125	140	255	186	210	8 - 18	18	3	113	170	29	F07	90	70	4 - 10	14x14	
BVFNG150-E	150	140	280	207	235	8 - 22	20	3	139	180	29	F07	90	70	4 - 10	14x14	
BVFNG200-E	200	152	335	264	292	8 - 22	20	3	175	210	35	F10	125	102	4 - 12	17x17	
BVFNG250-E	250	165	405	328	356	12 - 22	21	3	204	246	35	F10	125	102	4 - 12	22x22	
BVFNG300-E	300	178	455	374	406	12 - 26	26	4	242	276	35	F10	125	102	4 - 12	22x22	
BVFNG350-E	350	190	525	438	470	12 - 26	29	4	253	312	45	F10	125	102	4 - 12	22x22	
BVFNG375-E	375	190	550	463	495	12-26	29	4	265	350	51.2	F14	175	140	4 - 18		33.15
BVFNG400-E	400	216	580	489	521	12-26	29	4	282	343	51.2	F14	175	140	4 - 18		33.15
BVFNG450-E	450	222	640	552	584	16-26	29	4	323	381	51.2	F14	175	140	4 - 18		38
BVFNG500-E	500	229	705	641	641	16-26	31	4	348	433	64.2	F14	175	140	4 - 18		41.15
BVFNG550-E	550	267	760	699	699	16-30	37	5	385	500	70.2	F16	210	165	4 - 18		50.65
BVFNG600-E	600	267	825	756	756	16-33	37	5	416	518	70.2	F16	210	165	4 - 22		50.65
BVFNG700-E	700	292	910	845	845	20-33	40	5	479	562	66	F25	300	254	4 - 22		55
BVFNG750-E	750	305	995	927	927	20-36	42	5	474	592	66	F25	300	254	8 - 18		55

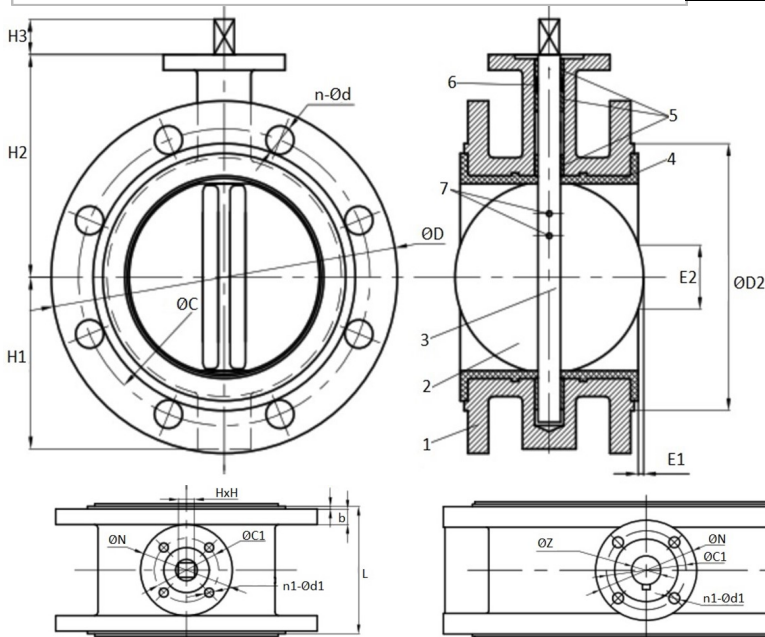
BUTTERFLY VALVE - FLANGED LEVER

CODE	DN	L	ØD	ØD2	ØC	n-Ød	b	f	H1	H2	H3	FLANG					
												E	ØN	ØC1	n1-Ød1	HxH	
BVFNL050-E	50	108	150	99	114	4 - 18	15.4	1.6	80	110	29	F05	65	50	4 - 8	11x11	
BVFNL065-E	65	112	165	118	127	4 - 18	15.4	1.6	80	134	29	F05	65	50	4 - 8	11x11	
BVFNL080-E	80	114	185	132	146	4 - 18	15	3	95	131	29	F07	90	70	4 - 10	11x11	
BVFNL100-E	100	127	215	158	178	8 - 18	17	3	114	50	29	F07	90	70	4 - 10	11x11	
BVFNL125-E	125	140	255	186	210	8 - 18	18	3	113	170	29	F07	90	70	4 - 10	14x14	
BVFNL150-E	150	140	280	207	235	8 - 22	20	3	139	180	29	F07	90	70	4 - 10	14x14	
BVFNL200-E	200	152	335	264	292	8 - 22	20	3	175	210	35	F10	125	102	4 - 12	17x17	
BVFNL250-E	250	165	405	328	356	12 - 22	21	3	204	246	35	F10	125	102	4 - 12	22x22	
BVFNL300-E	300	178	455	374	406	12 - 26	26	4	242	276	35	F10	125	102	4 - 12	22x22	

Notes

1. Design and manufacture according to API609
2. Face to face according to EN558-1 13 Series
2. Flange Drilling according to AS2129
3. Pressure test according to ISO 5208
4. Top flange drilling according to ISO 5211
5. Fastners: 316 Stainless Steel

Nominal Pressure (PN)		16
Test Pressure	Body/Shell Test	2.4Mpa
	Seat Test	1.76Mpa
Maximum Working Temperature		-10°C to + 90°C
Suitable Media		W.O.G. etc



Components Details		
No.	Item	Material
1	Body	Ductile Iron
2	Disc	SS 316
3	Stem	SS 420
4	Stem Bushing	PTFE
5	Seat	NBR
6	O-Ring	NBR
7	Pin	SS 316

