

MANUFACTURERS • DISTRIBUTORS • IMPORTERS



Global Water Group

PE Pipe, Fitting and Valve Specialists

Catalogue

Civil • Industrial • Construction • Mining

Agriculture • Aquaculture • Grazier



JANUARY 2024

Table of Contents

| | | | |
|--|----------|---|-----------|
| Our Company | 4 | Electrofusion Fittings | 53 |
| | | Electrofusion Coupler | 54 |
| | | Electrofusion 90° Elbow | 56 |
| | | Electrofusion 45° Elbow | 56 |
| | | Electrofusion 22.5° Elbow | 57 |
| | | Electrofusion 11.25° Elbow | 57 |
| | | Electrofusion Tee | 58 |
| | | Electrofusion Reducing Tee | 58 |
| | | Electrofusion Reducer | 59 |
| | | Electrofusion End Cap | 59 |
| | | Electrofusion Branch Saddle | 60 |
| | | Electrofusion Branch Saddle - High Volume | 62 |
| | | Top Loading Clamp for Electrofusion Branch Saddle | 63 |
| | | Electrofusion Tooling | 63 |
| | | Electrofusion Tooling - Control Units | 64 |
| | | Backing & Blind Flanges | |
| | | 65 | |
| | | Table D Galvanised Backing Flange | 66 |
| | | Table E Galvanised Backing Flange | 67 |
| | | ANSI 150 Galvanised Backing Flange | 68 |
| | | PN16 Galvanised Backing Flange | 69 |
| | | PN21 Galvanised Backing Flange | 70 |
| | | DIN16 Galvanised Backing Flange | 71 |
| | | ANSI 150 Polypropylene Backing Flange | 72 |
| | | Table D Stainless Steel 316 Backing Flange | 73 |
| | | Table E Stainless Steel 316 Backing Flange | 74 |
| | | ANSI 150 Stainless Steel 316 Backing Flange | 75 |
| | | ANSI 150 ASME B16.5 Stainless Steel 316 Backing Flange | 76 |
| | | PN16 Stainless Steel 316 Backing Flange | 77 |
| | | Table D Galvanised Blind Flange | 78 |
| | | Table E Galvanised Blind Flange | 79 |
| | | Table E Galvanised Blind Flange Tapped 2" | 79 |
| | | PN16 Galvanised Blind Flange | 80 |
| | | PN16 Galvanised Blind Flange Tapped 2" | 80 |
| | | ANSI 150 Galvanised Blind Flange | 81 |
| | | Table D Stainless Steel 316 Blind Flange | 82 |
| | | Table E Stainless Steel 316 Blind Flange | 83 |
| | | ANSI 150 Stainless Steel 316 Blind Flange | 84 |
| | | PN16 Stainless Steel 316 Blind Flange | 84 |
| Polyethylene Pipe Fittings - Butt Weld Only | | | |
| 7 | | | |
| Stub Flange | 8 | | |
| 45° Elbow | 13 | | |
| 90° Elbow | 14 | | |
| End Cap | 16 | | |
| Tee | 18 | | |
| Reducing Tee | 20 | | |
| Concentric Reducer | 23 | | |
| Valve Spacer | 26 | | |
| Eccentric Reducer | 27 | | |
| Shouldered End | 31 | | |
| Moulded Cross Piece | 32 | | |
| Polyethylene Pipe Fittings - Long Spigot | | | |
| 33 | | | |
| Stub Flange - Long Spigot | 33 | | |
| 45° Elbow - Long Spigot | 35 | | |
| 90° Elbow - Long Spigot | 36 | | |
| Tee - Long Spigot | 38 | | |
| Reducing Tee - Long Spigot | 39 | | |
| Concentric Reducer - Long Spigot | 42 | | |
| End Cap - Long Spigot | 45 | | |
| Moulded 45° Y Junction | 46 | | |
| 1.5D 90° Sweep Bend | 47 | | |
| 1.5D 60° Sweep Bend | 48 | | |
| 1.5D 45° Sweep Bend | 49 | | |
| 1.5D 30° Sweep Bend | 50 | | |
| Threaded Adaptors | 51 | | |



Table of Contents

| | | | |
|--|------------|------------------------------------|------------|
| Flanged Fittings | 85 | Gaskets | 105 |
| | | 3mm Full Face Insertion Rubber | 106 |
| | | 3mm Full Face EPDM Rubber | 107 |
| | | 3mm Stub Insertion Rubber | 109 |
| | | 3mm Stub EPDM Rubber | 110 |
| Valves | 87 | Nuts & Bolts | 111 |
| Wafer Gear Butterfly Valves | 88 | Galvanised Bolts | 113 |
| Wafer Lever Butterfly Valves | 89 | Stainless Steel Bolts & Nuts | 115 |
| Lugged Gear Butterfly Valves | 90 | Galvanised Washers | 116 |
| Lugged Lever Butterfly Valves | 90 | Stainless Steel Washers | 116 |
| Flanged Gear Butterfly Valves | 91 | Structural Galvanised Bolts | 117 |
| Flanged Lever Butterfly Valves | 91 | Structural Galvanised Nuts | 118 |
| Butterfly Valve Extension Shaft - Square | 92 | Threaded Rod | 118 |
| Butterfly Valve Extension Shaft - Round | 92 | | |
| Wafer Dual Disc Check Valve | 93 | Pipe | 119 |
| Wafer Single Disc Check Valve | 94 | Polyethylene Pipe | 120 |
| Resilient Seated Swing Check Valve | 95 | Corrugated Pipe | 122 |
| Brass Ball Valves | 96 | Tooling | 125 |
| Lockable Brass Ball Valves | 96 | Electrofusion Control Units | 126 |
| Poly Ball Valves | 96 | Electrofusion Wipes | 126 |
| 1 Piece Stainless Steel Ball Valves | 96 | Pipe End Peeler | 126 |
| 2 Piece Stainless Steel Ball Valves | 96 | | |
| 3 Piece Stainless Steel Ball Valves | 96 | Technical Data | 127 |
| Tapping Saddles | 97 | Product Dimensions | 128 |
| Ductile Iron Tapping Saddles | 98 | Chemical Resistance - Polyethylene | 130 |
| | | Conversion Table | 133 |
| Accessories | 101 | | |
| Single Sphere Rubber Expansion Joint | 102 | | |

WHO IS GWG?

For almost 40 years, Global Water Group (GWG) has been providing specialised products and solutions to the mining, civil, agriculture and aquaculture industries. Our company has become a one-stop shop for the supply of polyethylene pipe fittings, pipe and valve systems.



GWG is committed to delivering the highest quality products and services to suit the unique requirements and technical specifications of our customers, no matter how complex or small the project. From design and sourcing to distribution and delivery, the GWG point of difference comes down to quality.

With strategically located and fully stocked warehouses in Townsville and Brisbane, GWG not only services Queensland, but the entire eastern seaboard of Australia and beyond. This network allows us to transport our products anywhere in Australia, ensuring quick delivery within tight timeframes.

GWG's innovative product range and tailored solutions have gained us high recognition within industry circles for delivering lower costs, without compromising on quality. Whether it's design advice, product supply, technical expertise, installation, or ongoing support, our focus is adding value to our customers' operations and simply being a reliable, trusted partner over the long-term. We believe that our dedication to achieving the best quality products has greatly contributed to the continued growth of our business.

From production to delivery, we only use the highest quality materials and the latest technology operated by skilled and certified teams. All our products undergo rigorous quality testing to ensure strict compliance and adherence to Australian and international industry standards.

GWG offers more just an extensive range of pipes, fittings and valves. We also offer a complete range of electrofusion couplings, welding equipment, polyethylene floats and pontoons, galvanised stainless steel flanges, backing rings, tapping saddles, rubber expansion joints, gasket sets and specialised machinery and tooling.



We promise:

- The right product for the right application
- Best purchasing price, first time
- Valuable advice and expertise
- Fast and accurate dispatch of goods
- On-time delivery



THE GWG DIFFERENCE

We believe that our ongoing attention to quality has been a true factor in the growth of our business. Here at GWG we offer the following:

- Tailored design and fabrication to meet technical specifications
- Only the highest quality materials and rigorous quality testing, from production to delivery
- State of the art equipment operated by highly skilled and certified teams
- An extensive range of products available to be transported anywhere in Australia, ensuring fast turn-around and tight delivery time frames to be met
- A commitment to quality, with all manufacturing to Australian/New Zealand and international standards
- A commitment to exceptional service and continuous improvement

OUR PRODUCTS:

We are your one-stop shop for everything polyethylene pipe and valves. Our wide range of products includes:

- Butt Weld, Electrofusion, Compression and BSP Fittings
- Butterfly Valves, Check Valves, Gate Valves and Ball Valves
- Backing and Blind Flanges (Galvanised and Stainless Steel)
- Gasket Sets
- PE Pipe (Blue Line, All Black, Corrugated Stormwater)
- Electrofusion Machinery and Tooling, Pipe and Fitting Butt Welding



Message from Darren Werda, Company Director

Our company quality management system is based on the principles of customer-focused, leadership, engagement of people, effective processes, continual improvement, effective decision-making and good relationships with customers and stakeholders.

By having a quality management process, GWG can ensure that the company:

- Consistently provides products and services that meet our customers requirements and applicable statutory and regulatory requirements
- Facilitates opportunities to enhance customer satisfaction and quality performance
- Addresses risks and opportunities associated with the companies context and objectives
- Ensures that quality processes are resourced and managed and that the opportunities for improvement are determined and acted upon
- Demonstrates conformity to specified quality management systems required

Global Water Group (GWG) are proud to provide Australian Standards Approved and Watermarked products. We record all batch numbers to ensure that we can provide Material Data Records (MDRs) on where the raw material has been sourced and how the product was manufactured ensuring certificates of compliance and/or inspection and test reports are available.

GWG VALVES AND POLY FITTINGS - QUALITY POLICY

GWG Valves and Poly Fittings is committed to high standards of customer service, to meeting customer requirements and to ensuring quality is managed across our business operations. GWG Valves and Poly Fittings Quality Policy is a demonstration of our commitment to excellence in our products and services and to ensuring our customers' expectations are met. GWG Valves and Poly Fittings quality management is designed to meet the requirements of ISO 9001:2015: Quality Management Systems and the Company's quality values, commitments and goals.



These include:

- Ensure processes for managing quality are verified, monitored and reviewed.
- Understanding and meeting customer, legal and other applicable requirements
- Supplying only products and services which have the quality to meet customer and regulatory specifications
- Controlling and implementing changes to customer requirements as they occur
- Requiring the same quality and services standards from our suppliers, outsourced services and contractors
- Inspecting and monitoring the way in which products and services are provided to ensure customer specifications and needs are met
- Identifying and managing non-conformances and taking prompt action to correct non-conformances and prevent future non-conformances
- Establishing, maintaining, reviewing and continually improving our quality management system (QMS)

Quality is the responsibility of ALL and adherence to the Company's QMS is required of all GWG Valves and Poly Fittings personnel, suppliers and contractors. All personnel are encouraged to identify improvements to processes and procedures in order to improve quality and the satisfaction of our customers.

As a Company we do not allow operational profit to take precedence over quality management and ensuring customer requirements are met. If there is a conflict, we are all responsible for choosing quality first. I, together with GWG Valves and Poly Fittings, support that choice.

This Quality Policy is important for quality management and ensuring customer requirements are met. The Policy will be displayed and communicated across GWG Valves and Poly Fittings business operations. This Policy will be regularly reviewed to ensure it remains relevant, appropriate and aligned to the Company's values, commitments and goals.



Darren Werda, *Company Director*

Issued January 2024 Review January 2026



PE 100 Polyethylene Pipe Fittings



A complete range of short and long spigot fittings for all pressure applications. Includes sizes from 20mm to 1200mm. Suitable for butt welding and electrofusion. Available in a range of SDR/PN ratings.



The information contained in this catalogue should be used as a guide only and is subject to change without notice. The information contained in this document does not form part of the terms and conditions of sale or constitute the description of any goods to be supplied by Global Water Group or its distributors. Global Water Group does not invite any person/s to act or rely upon such information and liability for such information is excluded. In particular, as product/ technology is developed rapidly, product specifications, designs and components may change and Global Water Group reserves the right at its discretion to make changes as it sees fit. Before purchasing goods, customers should source current product information from their distributor and seek expert advice on their particular intended use and application for the product. No part of this document may be reproduced, in any form, electronic, mechanical recording without the prior written consent of Global Water Group. The designs, graphics, logos, may not be used without consent /permission and written consent.

Stub Flange

SDR17

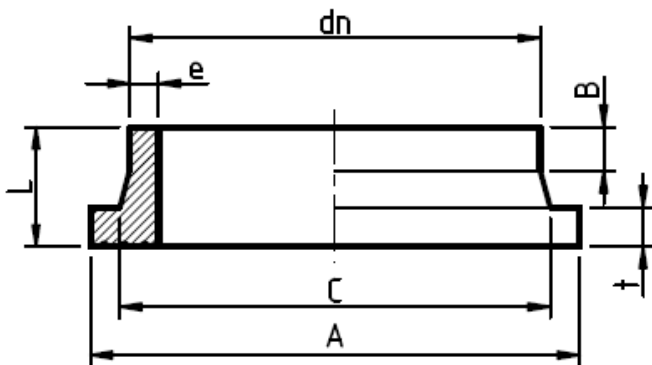
| dn (mm) | Code | e (mm) | L (mm) | B (mm) | t (mm) | A (mm) | C (mm) |
|---------|----------|--------|--------|--------|--------|--------|--------|
| 63 | SF17063 | 3.8 | 50 | 20 | 15 | 95 | 75 |
| 63 | SFL17063 | 3.7 | 90 | 70 | 13 | 95 | 69 |
| 75 | SF17075 | 4.5 | 50 | 20 | 20 | 108 | 89 |
| 75 | SFL17075 | 4.4 | 95 | 75 | 15 | 103 | 80 |
| 90 | SF17090 | 5.4 | 60 | 22 | 20 | 128 | 103 |
| 90 | SFL17090 | 5.4 | 121 | 83 | 20 | 128 | 103 |
| 110 | SF17110 | 6.6 | 60 | 22 | 25 | 160 | 124 |
| 110 | SFL17110 | 6.6 | 126 | 88 | 20 | 160 | 124 |
| 125 | SF17125 | 7.4 | 65 | 23 | 25 | 192 | 128 |
| 125 | SFL17125 | 7.4 | 137 | 95 | 25 | 192 | 128 |
| 140 | SF17140 | 8.3 | 65 | 23 | 25 | 188 | 160 |
| 140 | SFL17140 | 8.3 | 173 | 130 | 18 | 188 | 155 |
| 160 | SF17160 | 9.5 | 65 | 23 | 25 | 217 | 168 |
| 160 | SFL17160 | 9.5 | 147 | 105 | 25 | 217 | 168 |
| 180 | SF17180 | 10.7 | 65 | 23 | 25 | 217 | 180 |
| 180 | SFL17180 | 10.7 | 167 | 125 | 25 | 217 | 180 |
| 200 | SF17200 | 11.9 | 75 | 23 | 30 | 270 | 225 |
| 200 | SFL17200 | 11.9 | 175 | 123 | 30 | 270 | 225 |
| 225 | SF17225 | 13.4 | 80 | 24 | 30 | 270 | 230 |
| 225 | SFL17225 | 13.4 | 179 | 123 | 30 | 270 | 230 |
| 250 | SF17250 | 14.8 | 80 | 24 | 33 | 334 | 276 |
| 250 | SFL17250 | 14.8 | 184 | 128 | 35 | 334 | 276 |
| 280 | SF17280 | 16.6 | 85 | 25 | 35 | 334 | 290 |
| 280 | SFL17280 | 16.6 | 200 | 140 | 35 | 334 | 290 |
| 315 | SF17315 | 18.7 | 90 | 28 | 40 | 380 | 330 |
| 315 | SFL17315 | 18.7 | 196 | 135 | 40 | 380 | 330 |
| 355 | SF17355 | 21.1 | 100 | 30 | 40 | 444 | 364 |
| 355 | SFL17355 | 21.1 | 215 | 145 | 40 | 444 | 364 |
| 400 | SF17400 | 23.7 | 100 | 27 | 40 | 495 | 417 |
| 400 | SFL17400 | 23.7 | 243 | 170 | 40 | 495 | 417 |
| 450 | SF17450 | 26.7 | 110 | 30 | 60 | 545 | 470 |
| 450 | SFL17450 | 26.7 | 280 | 200 | 60 | 545 | 470 |
| 500 | SF17500 | 29.7 | 125 | 30 | 60 | 596 | 520 |
| 500 | SFL17500 | 29.7 | 310 | 215 | 60 | 596 | 520 |
| 560 | SF17560 | 33.2 | 130 | 30 | 60 | 657 | 582 |
| 560 | SFL17560 | 33.2 | 330 | 230 | 60 | 657 | 582 |
| 630 | SF17630 | 37.4 | 130 | 30 | 60 | 710 | 640 |
| 630 | SFL17630 | 37.4 | 350 | 250 | 60 | 710 | 640 |
| 710 | SF17710 | 42.1 | 130 | 30 | 60 | 800 | 735 |
| 800 | SF17800 | 47.4 | 162 | 30 | 90 | 940 | 840 |
| 900 | SF17900 | 53.3 | 170 | 23 | 90 | 1050 | 944 |

Chamfered and full face stubs are also available upon request.

Stub Flange

SDR13.6

| dn (mm) | Code | e (mm) | L (mm) | B (mm) | t (mm) | A (mm) | C (mm) |
|---------|------------|--------|--------|--------|--------|--------|--------|
| 200 | SF13.6200 | 14.7 | 75 | 23 | 30 | 270 | 225 |
| 200 | SFL13.6200 | 15 | 175 | 125 | 30 | 270 | 200 |
| 225 | SF13.6225 | 16.6 | 80 | 24 | 30 | 270 | 230 |
| 225 | SFL13.6225 | 18 | 180 | 144 | 30 | 270 | 225 |
| 250 | SF13.6250 | 18.4 | 80 | 24 | 35 | 334 | 276 |
| 250 | SFL13.6250 | 18.3 | 185 | 125 | 35 | 335 | 287 |
| 280 | SF13.6280 | 20.6 | 85 | 25 | 35 | 334 | 290 |
| 315 | SF13.6315 | 23.2 | 90 | 28 | 40 | 380 | 330 |
| 315 | SFL13.6315 | 23.1 | 195 | 133 | 40 | 380 | 330 |
| 355 | SF13.6355 | 26.1 | 100 | 30 | 40 | 444 | 364 |
| 355 | SFL13.6355 | 27.5 | 215 | 145 | 40 | 445 | 364 |
| 400 | SF13.6400 | 29.4 | 100 | 27 | 40 | 495 | 417 |
| 450 | SF13.6450 | 33.1 | 110 | 30 | 60 | 545 | 470 |
| 500 | SF13.6500 | 36.8 | 125 | 30 | 60 | 596 | 520 |
| 630 | SF13.6630 | 46.3 | 130 | 30 | 60 | 710 | 640 |



PLEASE NOTE:

Care should be taken when connecting wafer style butterfly valves with stub flanges. On some valves, the mouth of the stub must be machined out slightly to allow full rotation of the butterfly plate when fully assembled. Where excessive material must be removed, polyethylene tapered spacers must be used between the stub flange and the valve body.

SDR11

| dn (mm) | Code | e (mm) | L (mm) | B (mm) | t (mm) | A (mm) | C (mm) |
|---------|----------|--------|--------|--------|--------|--------|--------|
| 20 | SFL11020 | 3 | 83 | 60 | 7 | 45 | 29 |
| 25 | SFL11025 | 3 | 83 | 60 | 9 | 58 | 35 |
| 32 | SFL11032 | 3.2 | 84 | 60 | 10 | 68 | 40 |
| 40 | SFL11040 | 3.7 | 78 | 50 | 12 | 78 | 50 |
| 50 | SFL11050 | 4.6 | 88 | 56 | 14 | 94 | 60 |
| 63 | SF11063 | 5.7 | 50 | 24 | 15 | 95 | 50 |
| 63 | SFL11063 | 5.8 | 91 | 58 | 12 | 102 | 75 |
| 75 | SF11075 | 6.8 | 50 | 11 | 20 | 110 | 89 |
| 75 | SFL11075 | 6.8 | 98 | 65 | 11 | 122 | 89 |

Stub Flange

SDR11

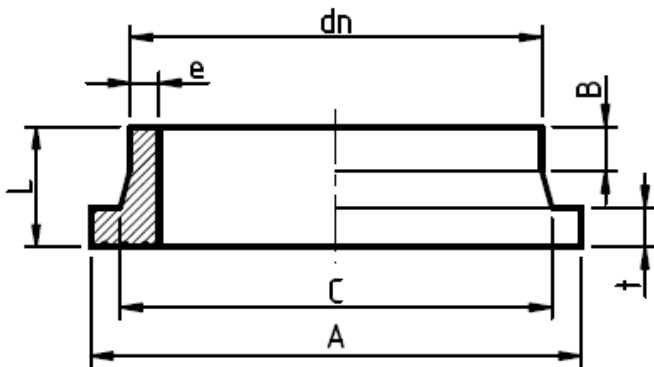
| dn (mm) | Code | e (mm) | L (mm) | B (mm) | t (mm) | A (mm) | C (mm) |
|---------|----------|--------|--------|--------|--------|--------|--------|
| 90 | SF11090 | 8.2 | 60 | 22 | 20 | 130 | 103 |
| 90 | SFL11090 | 8.2 | 121 | 83 | 20 | 128 | 103 |
| 110 | SF11110 | 10 | 60 | 22 | 20 | 160 | 124 |
| 110 | SFL11110 | 10 | 126 | 88 | 20 | 160 | 124 |
| 125 | SF11125 | 11.4 | 65 | 23 | 25 | 158 | 128 |
| 125 | SFL11125 | 11.4 | 137 | 95 | 25 | 192 | 128 |
| 140 | SF11140 | 12.7 | 65 | 23 | 25 | 188 | 160 |
| 140 | SFL11140 | 12.7 | 173 | 128 | 25 | 188 | 155 |
| 160 | SF11160 | 14.6 | 65 | 23 | 25 | 217 | 168 |
| 160 | SFL11160 | 14.6 | 147 | 105 | 25 | 217 | 168 |
| 180 | SF11180 | 16.4 | 65 | 56 | 25 | 217 | 180 |
| 180 | SFL11180 | 16.4 | 167 | 125 | 25 | 217 | 180 |
| 200 | SF11200 | 18.2 | 75 | 23 | 30 | 270 | 225 |
| 200 | SFL11200 | 18.2 | 175 | 123 | 30 | 270 | 225 |
| 225 | SF11225 | 20.5 | 80 | 24 | 30 | 270 | 230 |
| 225 | SFL11225 | 20.5 | 179 | 123 | 30 | 270 | 230 |
| 250 | SF11250 | 22.7 | 80 | 24 | 35 | 334 | 276 |
| 250 | SFL11250 | 22.7 | 184 | 128 | 35 | 334 | 276 |
| 280 | SF11280 | 25.4 | 85 | 25 | 35 | 334 | 290 |
| 280 | SFL11280 | 25.4 | 200 | 140 | 35 | 334 | 290 |
| 315 | SF11315 | 28.6 | 90 | 28 | 40 | 380 | 330 |
| 315 | SFL11315 | 28.6 | 196 | 135 | 40 | 380 | 330 |
| 355 | SF11355 | 32.2 | 100 | 30 | 40 | 444 | 364 |
| 355 | SFL11355 | 32.2 | 215 | 145 | 40 | 444 | 364 |
| 400 | SF11400 | 36.3 | 100 | 27 | 40 | 495 | 417 |
| 400 | SFL11400 | 36.3 | 243 | 170 | 40 | 495 | 417 |
| 450 | SF11450 | 40.9 | 110 | 30 | 60 | 545 | 470 |
| 450 | SFL11450 | 40.9 | 280 | 200 | 60 | 545 | 470 |
| 500 | SF11500 | 45.4 | 125 | 30 | 60 | 596 | 520 |
| 500 | SFL11500 | 45.4 | 310 | 215 | 60 | 596 | 520 |
| 560 | SF11560 | 50.8 | 130 | 30 | 60 | 657 | 582 |
| 560 | SFL11560 | 50.8 | 330 | 230 | 60 | 657 | 582 |
| 630 | SF11630 | 57.2 | 130 | 30 | 60 | 710 | 640 |
| 630 | SFL11630 | 57.2 | 350 | 250 | 60 | 710 | 640 |
| 710 | SF11710 | 64.5 | 130 | 30 | 60 | 800 | 735 |
| 800 | SF11800 | 72.5 | 160 | 30 | 90 | 940 | 840 |
| 900 | SF11900 | 81.7 | 170 | 23 | 90 | 1050 | 944 |
| 1000 | SF111000 | 90.2 | 185 | 30 | 110 | 1125 | 1052 |

Stub Flange

SDR9

| dn (mm) | Code | e (mm) | L (mm) | B (mm) | t (mm) | A (mm) | C (mm) |
|---------|----------|--------|--------|--------|--------|--------|--------|
| 90 | SF09090 | 10.1 | 60 | 22 | 20 | 128 | 103 |
| 90 | SFL09090 | 10.1 | 121 | 83 | 20 | 128 | 103 |
| 110 | SF09110 | 12.3 | 60 | 22 | 20 | 160 | 124 |
| 110 | SFL09110 | 12.3 | 126 | 88 | 20 | 160 | 124 |
| 125 | SF09125 | 14 | 65 | 23 | 25 | 192 | 128 |
| 125 | SFL09125 | 14 | 137 | 95 | 25 | 192 | 128 |
| 160 | SF09160 | 17.9 | 65 | 23 | 25 | 217 | 168 |
| 160 | SFL09160 | 17.9 | 147 | 105 | 25 | 217 | 168 |
| 180 | SF09180 | 20.1 | 65 | 23 | 25 | 217 | 180 |
| 180 | SFL09180 | 20.1 | 167 | 125 | 25 | 217 | 180 |
| 200 | SF09200 | 22.4 | 75 | 23 | 30 | 270 | 225 |
| 200 | SFL09200 | 22.4 | 175 | 123 | 30 | 270 | 225 |
| 225 | SF09225 | 25.2 | 80 | 24 | 30 | 270 | 230 |
| 225 | SFL09225 | 25.2 | 179 | 123 | 30 | 270 | 230 |
| 250 | SF09250 | 27.9 | 80 | 24 | 35 | 334 | 276 |
| 250 | SFL09250 | 27.9 | 184 | 128 | 35 | 334 | 276 |
| 280 | SF09280 | 31.3 | 85 | 25 | 35 | 334 | 290 |
| 280 | SFL09280 | 31.3 | 200 | 140 | 35 | 334 | 290 |
| 315 | SF09315 | 35.2 | 90 | 28 | 40 | 380 | 330 |
| 315 | SFL09315 | 35.2 | 196 | 135 | 40 | 380 | 330 |
| 355 | SF09355 | 39.7 | 100 | 30 | 40 | 444 | 364 |
| 400 | SF09400 | 44.7 | 100 | 27 | 40 | 495 | 417 |
| 450 | SF09450 | 50.3 | 110 | 30 | 60 | 545 | 470 |
| 500 | SF09500 | 55.8 | 125 | 30 | 60 | 596 | 520 |
| 560 | SF09560 | 62.5 | 130 | 30 | 60 | 657 | 582 |
| 630 | SF09630 | 70.3 | 130 | 30 | 60 | 710 | 640 |

Chamfered and full face stubs are also available upon request.



PLEASE NOTE:

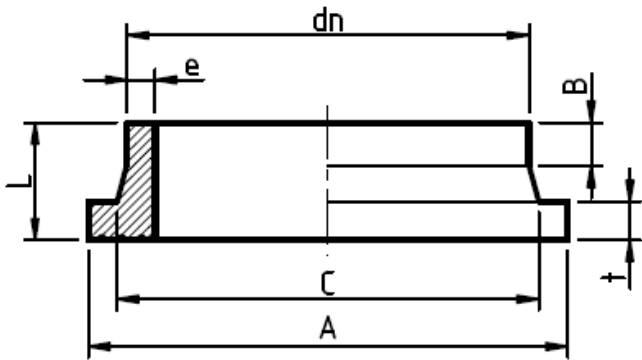
Care should be taken when connecting wafer style butterfly valves with stub flanges. On some valves, the mouth of the stub must be machined out slightly to allow full rotation of the butterfly plate when fully assembled. Where excessive material must be removed, polyethylene tapered spacers must be used between the stub flange and the valve body.

Stub Flange

SDR7.4

| dn (mm) | Code | e (mm) | L (mm) | B (mm) | t (mm) | A (mm) | C (mm) |
|---------|-----------|--------|--------|--------|--------|--------|--------|
| 110 | SF07.4110 | 15.1 | 60 | 22 | 25 | 160 | 124 |
| 125 | SF07.4125 | 17.1 | 65 | 23 | 25 | 192 | 128 |
| 160 | SF07.4160 | 21.9 | 65 | 23 | 30 | 217 | 168 |
| 180 | SF07.4180 | 24.6 | 65 | 23 | 30 | 217 | 180 |
| 200 | SF07.4200 | 27.4 | 75 | 23 | 35 | 270 | 225 |
| 225 | SF07.4225 | 30.8 | 80 | 24 | 35 | 270 | 230 |
| 250 | SF07.4250 | 34.2 | 80 | 24 | 35 | 334 | 276 |
| 280 | SF07.4280 | 38.3 | 85 | 25 | 40 | 334 | 290 |
| 315 | SF07.4315 | 43.1 | 90 | 28 | 40 | 380 | 330 |
| 355 | SF07.4355 | 48.5 | 100 | 30 | 45 | 444 | 364 |
| 400 | SF07.4400 | 54.7 | 100 | 27 | 45 | 495 | 417 |
| 450 | SF07.4450 | 61.5 | 110 | 30 | 50 | 545 | 470 |
| 500 | SF07.4500 | 67.6 | 125 | 30 | 70 | 596 | 520 |
| 560 | SF07.4560 | 75.7 | 130 | 30 | 80 | 657 | 582 |
| 630 | SF07.4630 | 85.1 | 130 | 30 | 80 | 710 | 640 |

Chamfered and full face stubs are also available upon request.



PLEASE NOTE:

Care should be taken when connecting wafer style butterfly valves with stub flanges. On some valves, the mouth of the stub must be machined out slightly to allow full rotation of the butterfly plate when fully assembled. Where excessive material must be removed, polyethylene tapered spacers must be used between the stub flange and the valve body.

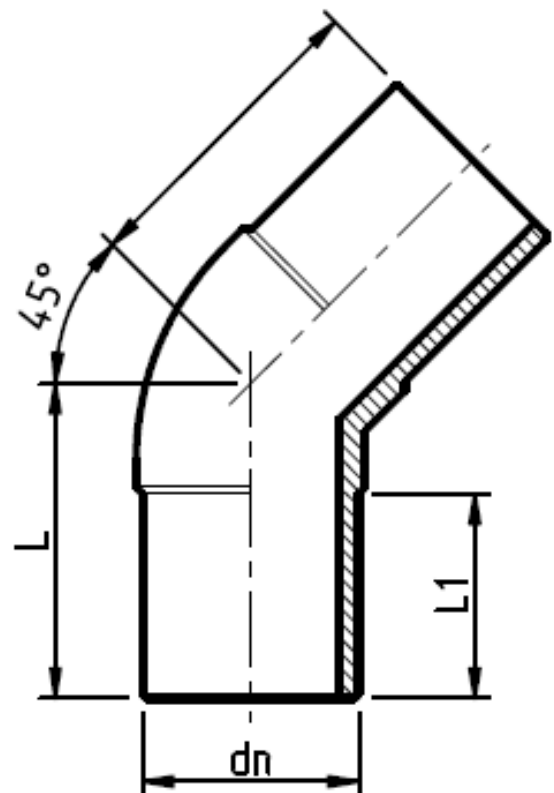
45° Elbow

SDR17

| dn (mm) | Code | L (mm) | L1 (mm) |
|---------|------------|--------|---------|
| 50 | ELS4517050 | 80 | 56 |
| 63 | ELS4517063 | 95 | 64 |
| 75 | ELS4517075 | 106 | 72 |
| 90 | ELS4517090 | 111 | 79 |
| 110 | ELS4517110 | 118 | 82 |
| 125 | ELS4517125 | 137 | 85 |
| 140 | ELS4517140 | 145 | 95 |
| 160 | ELS4517160 | 165 | 98 |
| 180 | ELS4517180 | 173 | 108 |
| 200 | ELS4517200 | 169 | 112 |
| 225 | ELS4517225 | 181 | 119 |
| 250 | ELS4517250 | 200 | 130 |
| 280 | ELS4517280 | 237 | 140 |
| 315 | ELS4517315 | 233 | 153 |
| 355 | ELS4517355 | 239 | 140 |
| 400 | ELS4517400 | 278 | 178 |
| 450 | E4517450 | 243 | 126 |
| 500 | E4517500 | 240 | 110 |
| 560 | E4517560 | 260 | 135 |
| 630 | E4517630 | 275 | 118 |
| 710 | E4517710 | 338 | 170 |
| 800 | E4517800 | 380 | 170 |

SDR11

| dn (mm) | Code | L (mm) | L1 (mm) |
|---------|------------|--------|---------|
| 40 | ELS4511040 | 91 | 51 |
| 50 | ELS4511050 | 80 | 56 |
| 63 | ELS4511063 | 95 | 64 |
| 75 | ELS4511075 | 106 | 72 |
| 90 | ELS4511090 | 111 | 79 |
| 110 | ELS4511110 | 118 | 82 |
| 125 | ELS4511125 | 137 | 85 |
| 140 | ELS4511140 | 145 | 95 |
| 160 | ELS4511160 | 165 | 98 |
| 180 | ELS4511180 | 173 | 108 |
| 200 | ELS4511200 | 169 | 112 |
| 225 | ELS4511225 | 181 | 119 |
| 250 | ELS4511250 | 200 | 130 |
| 280 | ELS4511280 | 237 | 140 |
| 315 | ELS4511315 | 233 | 153 |
| 355 | ELS4511355 | 239 | 140 |
| 400 | ELS4511400 | 278 | 178 |
| 450 | E4511450 | 250 | 126 |
| 500 | E4511500 | 240 | 110 |
| 560 | E4511560 | 260 | 135 |
| 630 | E4511630 | 275 | 118 |



45° Elbow

SDR9

| dn (mm) | Code | L (mm) | L1 (mm) |
|---------|------------|--------|---------|
| 63 | ELS4509063 | 82 | 60 |
| 75 | ELS4509075 | 100 | 70 |
| 90 | ELS4509090 | 115 | 80 |
| 110 | ELS4509110 | 120 | 80 |
| 125 | ELS4509125 | 158 | 93 |
| 140 | ELS4509140 | 165 | 97 |
| 160 | ELS4509160 | 150 | 98 |
| 180 | ELS4509180 | 155 | 100 |
| 200 | E4509200 | 190 | 118 |
| 225 | E4509225 | 196 | 120 |
| 250 | E4509250 | 208 | 134 |
| 280 | ELS4509280 | 244 | 145 |
| 315 | E4509315 | 257 | 154 |
| 355 | ELS4509355 | 271 | 170 |
| 400 | ELS4509400 | 310 | 182 |

90° Elbow

SDR9

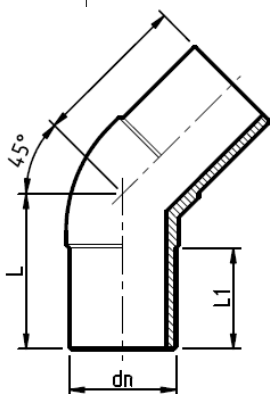
| dn (mm) | Code | L (mm) | L1 (mm) |
|---------|------------|--------|---------|
| 63 | ELS9009063 | 105 | 60 |
| 75 | ELS9009075 | 90 | 30 |
| 90 | ELS9009090 | 105 | 28.5 |
| 110 | ELS9009110 | 87.5 | 70 |
| 125 | ELS9009125 | 107 | 80 |
| 140 | ELS9009140 | 97 | 80 |
| 160 | ELS9009160 | 115 | 98 |
| 180 | ELS9009180 | 122 | 100 |
| 200 | E9009200 | 151 | 118 |
| 225 | E9009225 | 267 | 121 |
| 250 | E9009250 | 294 | 132 |
| 280 | E9009280 | 335 | 143 |
| 315 | E9009315 | 349 | 153 |
| 355 | ELS9009355 | 378 | 171 |
| 400 | ELS9009400 | 419 | 188 |

SDR7.4

| dn (mm) | Code | L (mm) | L1 (mm) |
|---------|---------------|--------|---------|
| 40 | ELS4507.4040 | 79 | 59 |
| 50 | ELS4507.4050 | 83 | 58 |
| 63 | ELS4507.4063 | 91 | 67 |
| 75 | ELS4507.4075 | 101 | 74 |
| 90 | ELS4507.4090 | 108 | 83 |
| 110 | ELS4507.4110 | 128 | 93 |
| 125 | ELS4507.40125 | 158 | 93 |
| 140 | ELS4507.40140 | 165 | 97 |
| 160 | ELS4507.40160 | 176 | 108 |
| 180 | ELS4507.40180 | 175 | 108 |
| 200 | ELS4507.40200 | 181 | 118 |
| 225 | ELS4507.40225 | 196 | 120 |
| 250 | ELS4507.40250 | 208 | 134 |
| 280 | ELS4507.40280 | 244 | 145 |
| 315 | ELS4507.40315 | 257 | 154 |
| 355 | ELS4507.40355 | 271 | 170 |
| 400 | ELS4507.40400 | 300 | 188 |

SDR7.4

| dn (mm) | Code | L (mm) | L1 (mm) |
|---------|--------------|--------|---------|
| 25 | ELS9007.4025 | 71 | 47 |
| 32 | ELS9007.4032 | 74 | 50 |
| 40 | ELS9007.4040 | 86 | 57 |
| 50 | ELS9007.4050 | 91 | 57 |
| 63 | ELS9007.4063 | 114 | 68 |
| 75 | ELS9007.4075 | 127 | 72 |
| 90 | ELS9007.4090 | 154 | 83 |
| 110 | ELS9007.4110 | 169 | 90 |
| 125 | ELS9007.4125 | 178 | 90 |
| 140 | ELS9007.4140 | 194 | 96 |
| 160 | ELS9007.4160 | 213 | 106 |
| 180 | ELS9007.4180 | 224 | 106 |
| 200 | ELS9007.4200 | 151 | 118 |
| 225 | ELS9007.4225 | 267 | 121 |
| 250 | ELS9007.4250 | 294 | 132 |
| 280 | ELS9007.4280 | 335 | 143 |
| 315 | ELS9007.4315 | 149 | 153 |
| 355 | ELS9007.4355 | 378 | 171 |
| 400 | ELS9007.4400 | 419 | 188 |



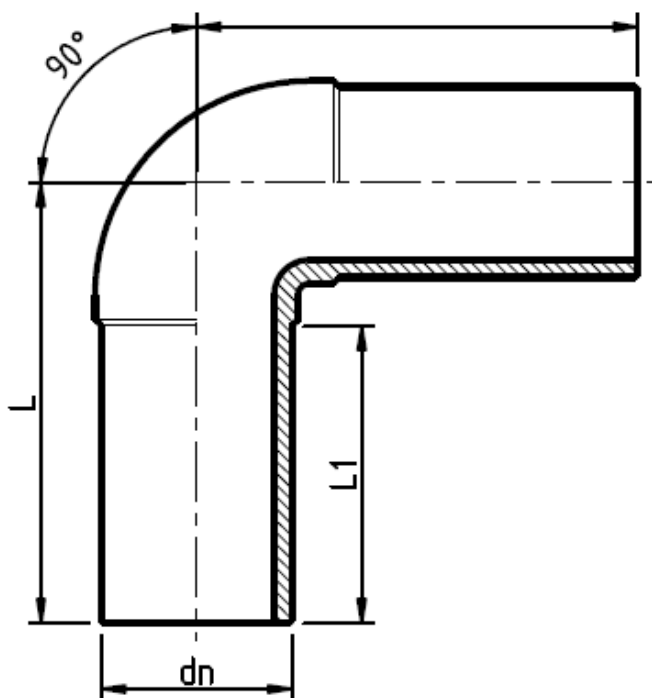
90° Elbow

SDR17

| dn (mm) | Code | L (mm) | L1 (mm) |
|---------|------------|--------|---------|
| 50 | ELS9017050 | 100 | 56 |
| 63 | ELS9017063 | 116 | 64 |
| 75 | ELS9017075 | 132 | 66 |
| 90 | ELS9017090 | 133 | 81 |
| 110 | ELS9017110 | 146 | 82 |
| 125 | ELS9017125 | 164 | 84 |
| 140 | ELS9017140 | 197 | 90 |
| 160 | ELS9017160 | 192 | 99 |
| 180 | ELS9017180 | 200 | 94 |
| 200 | ELS9017200 | 260 | 113 |
| 225 | ELS9017225 | 252 | 114 |
| 250 | ELS9017250 | 255 | 130 |
| 280 | ELS9017280 | 310 | 140 |
| 315 | ELS9017315 | 341 | 154 |
| 355 | ELS9017355 | 377 | 166 |
| 400 | ELS9017400 | 383 | 182 |
| 450 | E9017450 | 403 | 129 |
| 500 | E9017500 | 443 | 116 |
| 560 | E9017560 | 440 | 140 |
| 630 | E9017630 | 510 | 118 |
| 710 | E9017710 | 545 | 170 |
| 800 | E9017800 | 590 | 170 |

SDR11

| dn (mm) | Code | L (mm) | L1 (mm) |
|---------|------------|--------|---------|
| 40 | ELS9011040 | 88 | 50 |
| 50 | ELS9011050 | 100 | 56 |
| 63 | ELS9011063 | 116 | 64 |
| 75 | ELS9011075 | 132 | 66 |
| 90 | ELS9011090 | 133 | 81 |
| 110 | ELS9011110 | 146 | 82 |
| 125 | ELS9011125 | 164 | 84 |
| 140 | ELS9011140 | 197 | 90 |
| 160 | ELS9011160 | 192 | 99 |
| 180 | ELS9011180 | 200 | 94 |
| 200 | ELS9011200 | 260 | 113 |
| 225 | ELS9011225 | 252 | 114 |
| 250 | ELS9011250 | 255 | 130 |
| 280 | ELS9011280 | 310 | 140 |
| 315 | ELS9011315 | 341 | 154 |
| 355 | ELS9011355 | 377 | 166 |
| 400 | ELS9011400 | 383 | 182 |
| 450 | E9011450 | 137 | 120 |
| 500 | E9011500 | 157 | 135 |
| 560 | E9011560 | 160 | 140 |
| 630 | E9011630 | 157 | 145 |



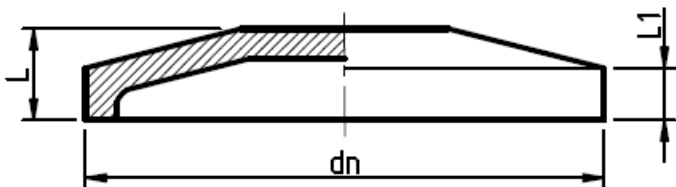
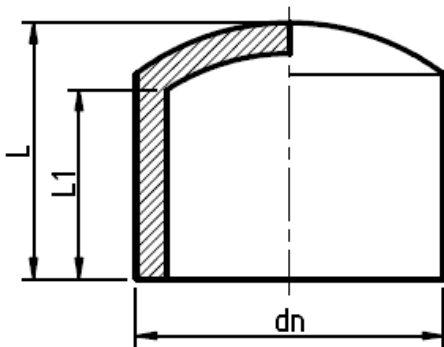
End Cap

SDR17

| dn (mm) | Code | L (mm) | L1 (mm) |
|---------|-----------|--------|---------|
| 63 | ECLS17063 | 67 | 54 |
| 75 | ECLS17075 | 72 | 54 |
| 90 | ECLS17090 | 87 | 70 |
| 110 | ECLS17110 | 99 | 78 |
| 125 | ECLS17125 | 114 | 84 |
| 140 | ECLS17140 | 126 | 94 |
| 160 | ECLS17160 | 125 | 94 |
| 180 | ECLS17180 | 146 | 107 |
| 200 | ECLS17200 | 129 | 97 |
| 225 | ECLS17225 | 142 | 106 |
| 250 | EC17250 | 132 | 102 |
| 280 | EC17280 | 138 | 103 |
| 315 | EC17315 | 142 | 105 |
| 355 | EC17355 | 145 | 102 |
| 400 | EC17400 | 160 | 28 |
| 450 | EC17450 | 160 | 31 |
| 500 | EC17500 | 160 | 35 |
| 560 | EC17560 | 160 | 39 |
| 630 | EC17630 | 160 | 47 |
| 800 | EC17800 | 180 | 47 |
| 1000 | EC171000 | 200 | 59 |

SDR11

| dn (mm) | Code | L (mm) | L1 (mm) |
|---------|-----------|--------|---------|
| 25 | ECLS11025 | 38 | 30 |
| 32 | ECLS11032 | 47 | 39 |
| 40 | ECLS11040 | 54 | 45 |
| 50 | ECLS11050 | 63 | 54 |
| 63 | ECLS11063 | 67 | 54 |
| 75 | ECLS11075 | 72 | 54 |
| 90 | ECLS11090 | 87 | 70 |
| 110 | ECLS11110 | 99 | 78 |
| 125 | ECLS11125 | 114 | 84 |
| 140 | ECLS11140 | 126 | 94 |
| 160 | ECLS11160 | 125 | 94 |
| 180 | ECLS11180 | 146 | 107 |
| 200 | ECLS11200 | 129 | 97 |
| 225 | ECLS11225 | 142 | 106 |
| 250 | EC11250 | 132 | 102 |
| 280 | EC11280 | 138 | 103 |
| 315 | EC11315 | 145 | 102 |
| 355 | EC11355 | 205 | 167 |
| 400 | EC11400 | 160 | 53 |
| 450 | EC11450 | 160 | 75 |
| 500 | EC11500 | 160 | 55 |
| 560 | EC11560 | 160 | 39 |
| 630 | EC11630 | 160 | 47 |
| 800 | EC11800 | 180 | 47 |



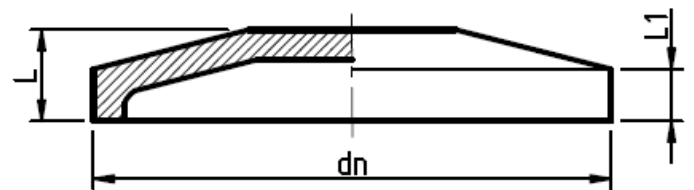
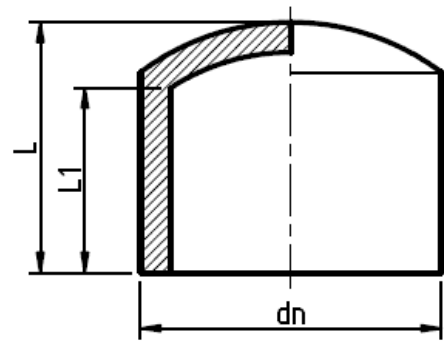
End Cap

SDR9

| dn (mm) | Code | L (mm) | L1 (mm) |
|---------|-----------|--------|---------|
| 160 | ECLS09160 | 120 | 145 |
| 200 | EC09200 | 105 | 90 |

SDR7.4

| dn (mm) | Code | L (mm) | L1 (mm) |
|---------|-------------|--------|---------|
| 25 | ECLS07.4025 | - | - |
| 32 | ECLS07.4032 | - | - |
| 40 | ECLS07.4040 | 64 | 58 |
| 50 | ECLS07.4050 | 72 | 58 |
| 63 | ECLS07.4063 | 82 | 67 |
| 75 | ECLS07.4075 | 87 | 80 |
| 90 | ECLS07.4090 | 102 | 81 |
| 110 | ECLS07.4110 | 104 | 97 |
| 125 | ECLS07.4125 | 110 | 90 |
| 140 | ECLS07.4140 | 114 | 103 |
| 160 | ECLS07.4160 | 130 | 122 |
| 180 | ECLS07.4180 | 122 | 104 |
| 200 | ECLS07.4200 | 157 | 128 |
| 225 | ECLS07.4225 | 142 | 117 |
| 250 | ECLS07.4250 | 145 | 117 |
| 280 | ECLS07.4280 | 154 | 135 |
| 315 | ECLS07.4315 | 199 | 155 |
| 355 | EC07.4355 | 115 | 98 |
| 500 | EC0.74500 | 160 | 55 |
| 560 | EC07.4560 | 160 | 39 |
| 630 | EC07.4630 | 160 | 47 |



Other sizes available on request.

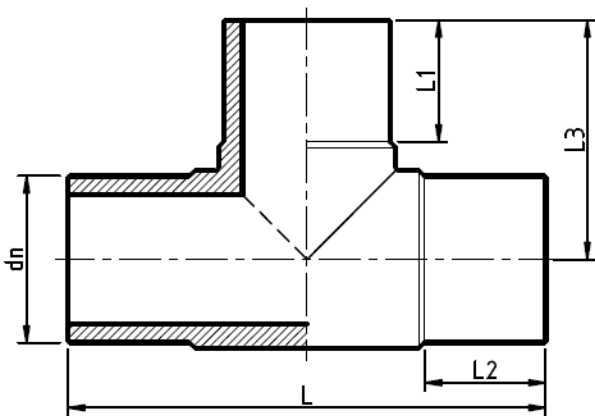
Tee

SDR17

| dn (mm) | Code | L (mm) | L1 (mm) | L2 (mm) | L3 (mm) |
|---------|----------|--------|---------|---------|---------|
| 63 | TLS17063 | 221 | 64 | 64 | 114 |
| 75 | TLS17075 | 222 | 78 | 72 | 112 |
| 90 | TLS17090 | 262 | 71 | 70 | 135 |
| 110 | TLS17110 | 290 | 83 | 83 | 149 |
| 125 | TLS17125 | 325 | 84 | 84 | 160 |
| 140 | TLS17140 | 335 | 90 | 90 | 180 |
| 160 | TLS17160 | 350 | 100 | 100 | 191 |
| 180 | TLS17180 | 400 | 95 | 100 | 200 |
| 200 | TLS17200 | 449 | 112 | 112 | 216 |
| 225 | TLS17225 | 507 | 126 | 126 | 259 |
| 250 | TLS17250 | 578 | 134 | 134 | 250 |
| 280 | TLS17280 | 490 | 110 | 110 | 259 |
| 315 | TLS17315 | 699 | 152 | 152 | 345 |
| 355 | T17355 | 775 | 168 | 168 | 380 |
| 355 | TLS17355 | 763 | 165 | 164 | 381 |
| 400 | T17400 | 595 | 80 | 80 | 344 |
| 450 | T17450 | 820 | 130 | 130 | 550 |
| 500 | T17500 | 854 | 137 | 137 | 415 |
| 560 | T17560 | 880 | 203 | 140 | 530 |
| 630 | T17630 | 1123 | 140 | 140 | 500 |
| 710 | T17710 | 1140 | 210 | 210 | 570 |
| 710 | TLS17710 | 1095 | 190 | 170 | 570 |
| 800 | T17800 | 1260 | 230 | 230 | 630 |

SDR11

| dn (mm) | Code | L (mm) | L1 (mm) | L2 (mm) | L3 (mm) |
|---------|----------|--------|---------|---------|---------|
| 40 | TLS11040 | 168 | 49 | 49 | 87 |
| 50 | TLS11050 | 200 | 54 | 55 | 99 |
| 63 | TLS11063 | 221 | 64 | 64 | 114 |
| 75 | TLS11075 | 222 | 78 | 72 | 112 |
| 90 | TLS11090 | 262 | 71 | 70 | 135 |
| 110 | TLS11110 | 290 | 83 | 83 | 149 |
| 125 | TLS11125 | 325 | 84 | 84 | 160 |
| 140 | TLS11140 | 335 | 90 | 90 | 180 |
| 160 | TLS11160 | 350 | 100 | 100 | 191 |
| 180 | TLS11180 | 400 | 95 | 100 | 200 |
| 200 | TLS11200 | 449 | 112 | 112 | 216 |
| 225 | TLS11225 | 507 | 126 | 126 | 259 |
| 250 | TLS11250 | 477 | 130 | 130 | 249 |
| 280 | TLS11280 | 620 | 140 | 140 | 315 |
| 315 | T11315 | 497 | 98 | 78 | 272 |
| 315 | TLS11315 | 699 | 152 | 152 | 345 |
| 355 | T11355 | 403 | 174 | 174 | 374 |
| 355 | TLS11355 | 763 | 165 | 164 | 381 |
| 400 | T11400 | 595 | 80 | 80 | 344 |
| 450 | T11450 | 820 | 130 | 155 | 380 |
| 500 | T11500 | 854 | 137 | 137 | 415 |
| 560 | T11560 | 880 | 203 | 140 | 530 |
| 630 | T11630 | 1123 | 150 | 150 | 500 |



Tee

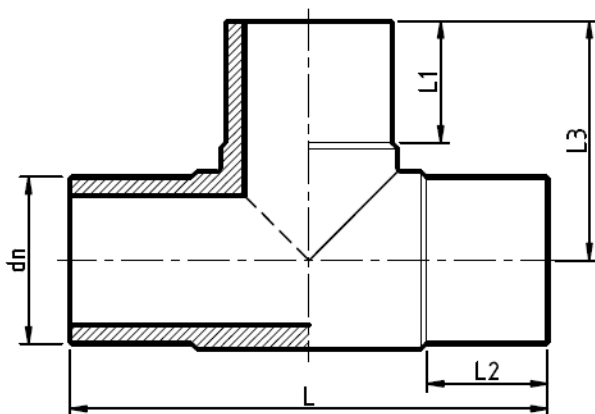
SDR9

| dn (mm) | Code | L (mm) | L1 (mm) | L2 (mm) | L3 (mm) |
|---------|----------|--------|---------|---------|---------|
| 63 | TLS09063 | 229 | 68 | 68 | 110 |
| 75 | TLS09075 | 257 | 73 | 73 | 121 |
| 90 | TLS09090 | 311 | 80 | 80 | 135 |
| 110 | TLS09110 | 314 | 81 | 81 | 146 |
| 125 | TLS09125 | 359 | 91 | 91 | 164 |
| 140 | TLS09140 | 390 | 97 | 97 | 177 |
| 160 | TLS09160 | 425 | 105 | 105 | 195 |
| 180 | TLS09180 | 451 | 108 | 108 | 208 |
| 200 | T09200 | 503 | 118 | 118 | 228 |
| 225 | T09225 | 540 | 121 | 121 | 244 |
| 250 | T09250 | 596 | 132 | 132 | 267 |
| 280 | TLS09280 | 685 | 142 | 142 | 320 |
| 315 | T09315 | 704 | 152 | 152 | 320 |
| 355 | TLS09355 | 800 | 168 | 168 | 356 |
| 400 | TLS09400 | 880 | 180 | 180 | 390 |
| 450 | TLS09450 | 985 | 203 | 203 | 438 |
| 500 | TLS09500 | 1090 | 220 | 220 | 480 |
| 560 | TLS09560 | 1200 | 236 | 236 | 516 |
| 630 | TLS09630 | - | - | - | - |

Other sizes available on request.

SDR7.4

| dn (mm) | Code | L (mm) | L1 (mm) | L2 (mm) | L3 (mm) |
|---------|------------|--------|---------|---------|---------|
| 25 | TLS07.4025 | 139 | 46 | 46 | 69 |
| 32 | TLS07.4032 | 148 | 49 | 49 | 75 |
| 40 | TLS07.4040 | 175 | 57 | 57 | 87 |
| 50 | TLS07.4050 | 180 | 57 | 57 | 92 |
| 63 | TLS07.4063 | 229 | 68 | 68 | 110 |
| 75 | TLS07.4075 | 257 | 73 | 73 | 121 |
| 90 | TLS07.4090 | 303 | 83 | 83 | 138 |
| 110 | TLS07.4110 | 338 | 91 | 91 | 156 |
| 125 | TLS07.4125 | 359 | 91 | 91 | 164 |
| 140 | TLS07.4140 | 390 | 97 | 97 | 177 |
| 160 | TLS07.4160 | 425 | 105 | 105 | 195 |
| 180 | TLS07.4180 | 451 | 108 | 108 | 208 |
| 200 | TLS07.4200 | 503 | 118 | 118 | 228 |
| 225 | TLS07.4225 | 540 | 121 | 121 | 244 |
| 250 | TLS07.4250 | 596 | 132 | 132 | 267 |
| 280 | TLS07.4280 | 685 | 142 | 142 | 292 |
| 315 | TLS07.4315 | 704 | 152 | 152 | 320 |
| 355 | TLS07.4355 | 800 | 168 | 168 | 356 |
| 400 | TLS07.4400 | 880 | 180 | 180 | 390 |
| 450 | TLS07.4450 | 985 | 203 | 203 | 438 |
| 500 | TLS07.4500 | 1090 | 220 | 220 | 480 |
| 560 | TLS07.4560 | 1200 | 236 | 236 | 516 |
| 630 | TLS07.4630 | - | - | - | - |

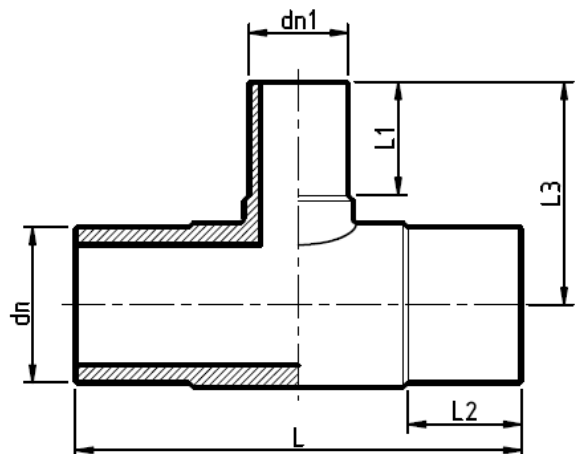


Reducing Tee

SDR17

| dn (mm) | dn1 (mm) | Code | L (mm) | L1 (mm) | L2 (mm) | L3 (mm) |
|---------|----------|--------------|--------|---------|---------|---------|
| 90 | 50 | TRLS17090050 | 250 | 69 | 80 | 118 |
| 90 | 63 | TRLS17090063 | 250 | 69 | 80 | 116 |
| 90 | 75 | TRLS17090075 | 278 | 78 | 79 | 138 |
| 110 | 63 | TRLS17110063 | 259 | 68 | 83 | 135 |
| 110 | 75 | TRLS17110075 | 303 | 78 | 83 | 150 |
| 110 | 90 | TRLS17110090 | 303 | 78 | 83 | 150 |
| 125 | 90 | TRLS17125090 | 323 | 85 | 86 | 162 |
| 125 | 110 | TRLS17125110 | 335 | 85 | 87 | 161 |
| 140 | 110 | TRLS17140110 | 334 | 84 | 93 | 166 |
| 160 | 63 | TRLS17160063 | 295 | 65 | 97 | 152 |
| 160 | 75 | TRLS17160075 | 250 | 75 | 80 | 165 |
| 160 | 90 | TRLS17160090 | 353 | 84 | 98 | 175 |
| 160 | 110 | TRLS17160110 | 353 | 81 | 98 | 182 |
| 160 | 125 | TRLS17160125 | 360 | 90 | 97 | 190 |
| 180 | 63 | TR17180063 | 270 | 75 | 85 | 180 |
| 180 | 75 | TR17180075 | 270 | 75 | 85 | 180 |
| 180 | 90 | TR17180090 | 270 | 80 | 85 | 180 |
| 180 | 110 | TRLS17180110 | 270 | 85 | 85 | 185 |
| 180 | 160 | TRLS17180160 | 400 | 85 | 90 | 185 |
| 200 | 63 | TRLS17200063 | 364 | 85 | 114 | 196 |
| 200 | 75 | TR17200075 | 265 | 75 | 87 | 180 |
| 200 | 90 | TRLS17200090 | 365 | 84 | 113 | 196 |
| 200 | 110 | TRLS17200110 | 364 | 83 | 113 | 196 |
| 200 | 160 | TRLS17200160 | 429 | 97 | 119 | 230 |
| 225 | 110 | TRLS17225110 | 365 | 100 | 110 | 230 |
| 225 | 160 | TRLS17225160 | 437 | 100 | 122 | 220 |
| 225 | 200 | TRLS17225200 | 485 | 110 | 110 | 242 |
| 250 | 90 | TR17250090 | 365 | 100 | 110 | 245 |
| 250 | 110 | TRLS17250110 | 403 | 81 | 129 | 220 |
| 250 | 160 | TRLS17250160 | 468 | 103 | 130 | 257 |
| 250 | 200 | TR17250200 | 505 | 110 | 110 | 250 |
| 250 | 225 | TR17250225 | 456 | 105 | 120 | 265 |
| 280 | 110 | TR17280110 | 330 | 100 | 103 | 254 |
| 280 | 160 | TR17280160 | 387 | 100 | 100 | 250 |
| 280 | 200 | TR17280200 | 387 | 105 | 100 | 250 |
| 280 | 250 | TR17280250 | 485 | 125 | 105 | 279 |
| 315 | 90 | TR17315090 | 370 | 100 | 110 | 280 |
| 315 | 110 | TR17315110 | 370 | 110 | 110 | 280 |
| 315 | 160 | TR17315160 | 460 | 110 | 110 | 285 |
| 315 | 200 | TRLS17315200 | 589 | 105 | 144 | 289 |
| 315 | 250 | TR17315250 | 587 | 93 | 144 | 277 |
| 355 | 110 | TR17355110 | 360 | 90 | 118 | 282 |
| 355 | 160 | TR17355160 | 400 | 100 | 110 | 287 |
| 355 | 200 | TRLS17355200 | 646 | 149 | 197 | 352 |
| 355 | 250 | TRLS17355250 | 634 | 164 | 166 | 368 |
| 355 | 315 | TR17355315 | 555 | 100 | 110 | 287 |

| dn (mm) | dn1 (mm) | Code | L (mm) | L1 (mm) | L2 (mm) | L3 (mm) |
|---------|----------|--------------|--------|---------|---------|---------|
| 400 | 90 | TR17400090 | 340 | 100 | 110 | 310 |
| 400 | 110 | TR17400110 | 360 | 100 | 110 | 310 |
| 400 | 160 | TR17400160 | 400 | 100 | 110 | 310 |
| 400 | 200 | TRLS17400200 | 594 | 138 | 176 | 360 |
| 400 | 250 | TR17400250 | 594 | 126 | 138 | 360 |
| 400 | 315 | TR17400315 | 597 | 125 | 94 | 358 |
| 400 | 355 | TR17400355 | 595 | 100 | 110 | 310 |
| 450 | 90 | TR17450090 | 375 | 120 | 120 | 365 |
| 450 | 110 | TR17450110 | 375 | 120 | 120 | 365 |
| 450 | 160 | TR17450160 | 464 | 120 | 130 | 365 |
| 450 | 200 | TR17450200 | 464 | 120 | 120 | 365 |
| 450 | 225 | TR17450225 | 545 | 130 | 150 | 375 |
| 450 | 250 | TRLS17450250 | 733 | 131 | 206 | 423 |
| 450 | 280 | TR17450280 | 600 | 140 | 140 | 385 |
| 450 | 315 | TR17450315 | 597 | 125 | 94 | 358 |
| 450 | 355 | TR17450355 | 660 | 160 | 140 | 405 |
| 450 | 400 | TR17450400 | 670 | 160 | 120 | 405 |
| 500 | 110 | TR17500110 | 398 | 135 | 130 | 420 |
| 500 | 160 | TR17500160 | 530 | 131 | 148 | 425 |
| 500 | 200 | TR17500200 | 495 | 135 | 135 | 420 |
| 500 | 225 | TR17500225 | 545 | 135 | 150 | 420 |
| 500 | 250 | TR17500250 | 614 | 128 | 150 | 432 |
| 500 | 280 | TR17500280 | 630 | 145 | 155 | 430 |
| 500 | 315 | TR17500315 | 610 | 143 | 135 | 408 |
| 500 | 355 | TR17500355 | 720 | 130 | 153 | 435 |
| 500 | 400 | TR17500400 | 705 | 160 | 140 | 445 |
| 500 | 450 | TR17500450 | 800 | 170 | 150 | 455 |
| 560 | 110 | TR17560110 | 410 | 140 | 135 | 445 |
| 560 | 160 | TR17560160 | 450 | 140 | 135 | 445 |
| 560 | 200 | TR17560200 | 508 | 140 | 135 | 445 |
| 560 | 225 | TR17560225 | 545 | 140 | 150 | 445 |
| 560 | 250 | TR17560250 | 545 | 140 | 135 | 445 |
| 560 | 280 | TR17560280 | 600 | 145 | 150 | 450 |
| 560 | 315 | TR17560315 | 605 | 145 | 135 | 450 |
| 560 | 355 | TR17560355 | 710 | 160 | 150 | 465 |
| 560 | 400 | TR17560400 | 720 | 160 | 135 | 465 |
| 560 | 450 | TR17560450 | 825 | 170 | 150 | 475 |



| dn (mm) | dn1 (mm) | Code | L (mm) | L1 (mm) | L2 (mm) | L3 (mm) |
|---------|----------|------------|--------|---------|---------|---------|
| 560 | 500 | TR17560500 | 825 | 170 | 140 | 475 |
| 630 | 110 | TR17630110 | 475 | 135 | 145 | 480 |
| 630 | 160 | TR17630160 | 475 | 140 | 140 | 485 |
| 630 | 200 | TR17630200 | 576 | 132 | 128 | 520 |
| 630 | 225 | TR17630225 | 555 | 145 | 150 | 490 |
| 630 | 250 | TR17630250 | 620 | 133 | 130 | 470 |
| 630 | 280 | TR17630280 | 628 | 133 | 128 | 515 |
| 630 | 315 | TR17630315 | 783 | 131 | 131 | 525 |
| 630 | 355 | TR17630355 | 720 | 160 | 150 | 505 |
| 630 | 400 | TR17630400 | 775 | 130 | 135 | 480 |
| 630 | 450 | TR17630450 | 788 | 168 | 155 | 496 |
| 630 | 500 | TR17630500 | 827 | 180 | 145 | 508 |

| dn (mm) | dn1 (mm) | Code | L (mm) | L1 (mm) | L2 (mm) | L3 (mm) |
|---------|----------|--------------|--------|---------|---------|---------|
| 225 | 160 | TRLS11225160 | 435 | 100 | 122 | 220 |
| 225 | 200 | TR11225200 | 400 | 75 | 85 | 200 |
| 250 | 90 | TR11250090 | 283 | 95 | 90 | 228 |
| 250 | 110 | TRLS11250110 | 403 | 81 | 129 | 220 |
| 250 | 160 | TRLS11250160 | 472 | 102 | 129 | 257 |
| 250 | 200 | TR11250200 | 380 | 95 | 90 | 228 |
| 250 | 225 | TR11250225 | 438 | 85 | 100 | 221 |
| 280 | 110 | TR11280110 | 300 | 100 | 100 | 240 |
| 280 | 125 | TRLS11280125 | 504 | 92 | 142 | 407 |
| 280 | 160 | TRLS11280160 | 504 | 103 | 142 | 410 |
| 280 | 200 | TR11280200 | 387 | 105 | 100 | 250 |
| 280 | 250 | TR11280250 | 530 | 105 | 110 | 260 |
| 315 | 110 | TRLS11315110 | 525 | 85 | 150 | 280 |
| 315 | 160 | TRLS11315160 | 528 | 101 | 151 | 453 |
| 315 | 200 | TR11315200 | 460 | 110 | 110 | 285 |
| 315 | 250 | TR11315250 | 575 | 110 | 103 | 285 |
| 355 | 110 | TR11355110 | 350 | 100 | 110 | 287 |
| 355 | 160 | TR11355160 | 400 | 100 | 110 | 287 |
| 355 | 200 | TR11355200 | 450 | 118 | 114 | 306 |
| 355 | 250 | TR11355250 | 490 | 100 | 110 | 287 |
| 355 | 315 | TR11355315 | 555 | 100 | 110 | 287 |
| 400 | 110 | TR11400110 | 360 | 100 | 110 | 310 |
| 400 | 160 | TR11400160 | 400 | 100 | 110 | 310 |
| 400 | 200 | TR11400200 | 450 | 100 | 110 | 310 |
| 400 | 250 | TR11400250 | 528 | 140 | 127 | 346 |
| 400 | 315 | TR11400315 | 586 | 148 | 120 | 358 |
| 400 | 355 | TR11400355 | 626 | 165 | 125 | 375 |
| 450 | 110 | TR11450110 | 375 | 120 | 120 | 365 |
| 450 | 160 | TR11450160 | 464 | 120 | 130 | 365 |
| 450 | 200 | TR11450200 | 464 | 120 | 120 | 365 |
| 450 | 225 | TR11450225 | 545 | 130 | 150 | 375 |
| 450 | 250 | TR11450250 | 718 | 130 | 80 | 417 |
| 450 | 280 | TR11450280 | 600 | 140 | 140 | 385 |
| 450 | 315 | TR11450315 | 600 | 140 | 140 | 385 |
| 450 | 355 | TR11450355 | 660 | 160 | 140 | 405 |
| 450 | 400 | TR11450400 | 670 | 160 | 120 | 405 |
| 500 | 110 | TR11500110 | 450 | 135 | 155 | 404 |
| 500 | 160 | TR11500160 | 495 | 135 | 140 | 420 |
| 500 | 200 | TR11500200 | 495 | 135 | 135 | 420 |
| 500 | 225 | TR11500225 | 548 | 135 | 145 | 409 |
| 500 | 250 | TR11500250 | 545 | 135 | 135 | 420 |
| 500 | 280 | TR11500280 | 602 | 140 | 140 | 406 |
| 500 | 315 | TR11500315 | 620 | 143 | 135 | 408 |
| 500 | 355 | TR11500355 | 700 | 160 | 150 | 445 |
| 500 | 400 | TR11500400 | 705 | 160 | 140 | 445 |
| 500 | 450 | TR11500450 | 800 | 170 | 150 | 455 |
| 560 | 110 | TR11560110 | 410 | 140 | 135 | 445 |
| 560 | 160 | TR11560160 | 450 | 140 | 135 | 445 |
| 560 | 200 | TR11560200 | 495 | 137 | 130 | 436 |
| 560 | 225 | TR11560225 | 545 | 140 | 150 | 445 |

SDR11

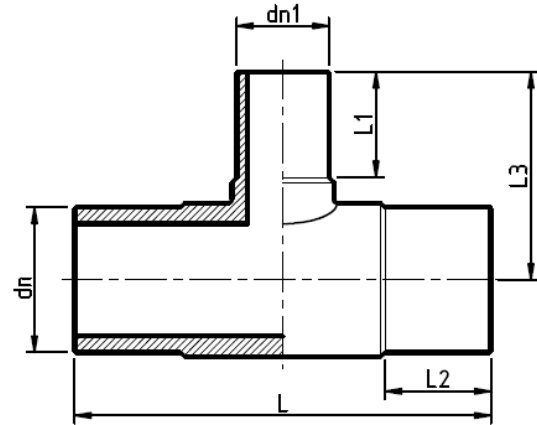
| dn (mm) | dn1 (mm) | Code | L (mm) | L1 (mm) | L2 (mm) | L3 (mm) |
|---------|----------|--------------|--------|---------|---------|---------|
| 63 | 32 | TRLS11063032 | 200 | 50 | 63 | 93 |
| 63 | 40 | TRLS11063040 | 186 | 53 | 56 | 88 |
| 63 | 50 | TRLS11063050 | 223 | 63 | 63 | 126 |
| 75 | 40 | TRLS11075040 | 220 | 68 | 70 | 113 |
| 75 | 50 | TRLS11075050 | 220 | 68 | 70 | 108 |
| 75 | 63 | TRLS11075063 | 220 | 67 | 70 | 107 |
| 90 | 50 | TRLS11090050 | 250 | 69 | 80 | 118 |
| 90 | 63 | TRLS11090063 | 250 | 69 | 80 | 116 |
| 90 | 75 | TRLS11090075 | 278 | 78 | 79 | 138 |
| 110 | 50 | TRLS11110050 | 259 | 59 | 82 | 130 |
| 110 | 63 | TRLS11110063 | 259 | 68 | 83 | 135 |
| 110 | 75 | TRLS11110075 | 303 | 78 | 83 | 150 |
| 110 | 90 | TRLS11110090 | 303 | 78 | 83 | 150 |
| 125 | 90 | TRLS11125090 | 323 | 85 | 86 | 162 |
| 125 | 110 | TRLS11125110 | 335 | 85 | 87 | 161 |
| 140 | 110 | TRLS11140110 | 334 | 84 | 93 | 166 |
| 160 | 63 | TRLS11160063 | 300 | 62 | 99 | 152 |
| 160 | 75 | TR11160075 | 250 | 75 | 80 | 165 |
| 160 | 90 | TRLS11160090 | 353 | 84 | 98 | 175 |
| 160 | 110 | TRLS11160110 | 353 | 81 | 98 | 182 |
| 160 | 125 | TRLS11160125 | 380 | 100 | 98 | 190 |
| 180 | 63 | TR11180063 | 270 | 75 | 85 | 180 |
| 180 | 75 | TR11180075 | 270 | 75 | 85 | 180 |
| 180 | 90 | TRLS11180090 | 353 | 82 | 105 | 190 |
| 180 | 110 | TRLS11180110 | 355 | 85 | 107 | 190 |
| 180 | 160 | TRLS11180160 | 458 | 97 | 107 | 224 |
| 200 | 63 | TRLS11200063 | 366 | 81 | 112 | 196 |
| 200 | 75 | TR11200075 | 338 | 80 | 95 | 195 |
| 200 | 90 | TRLS11200090 | 365 | 84 | 113 | 196 |
| 200 | 110 | TRLS11200110 | 367 | 81 | 112 | 196 |
| 200 | 125 | TR11200125 | 301 | 85 | 83.5 | 190 |
| 200 | 160 | TRLS11200160 | 429 | 97 | 119 | 230 |
| 225 | 90 | TRLS11225090 | 401 | 84 | 122 | 215 |
| 225 | 110 | TRLS11225110 | 400 | 87 | 123 | 216 |



Reducing Tee

SDR11

| dn (mm) | dn1 (mm) | Code | L (mm) | L1 (mm) | L2 (mm) | L3 (mm) |
|------------|-------------|------------|-----------|------------|------------|------------|
| 560 | 250 | TR11560250 | 545 | 140 | 135 | 445 |
| 560 | 315 | TR11560315 | 620 | 135 | 145 | 450 |
| 560 | 355 | TR11560355 | 710 | 160 | 150 | 465 |
| 560 | 400 | TR11560400 | 720 | 160 | 135 | 465 |
| 560 | 450 | TR11560450 | 825 | 170 | 150 | 475 |
| 560 | 500 | TR11560500 | 798 | 178 | 135 | 477 |
| 630 | 110 | TR11630110 | 475 | 135 | 145 | 480 |
| 630 | 160 | TR11630160 | 475 | 140 | 140 | 485 |
| 630 | 200 | TR11630200 | 550 | 145 | 150 | 490 |
| 630 | 225 | TR11630225 | 555 | 145 | 150 | 490 |
| 630 | 250 | TR11630250 | 555 | 145 | 140 | 490 |
| 630 | 280 | TR11630280 | 660 | 145 | 160 | 490 |
| 630 | 315 | TR11630315 | 665 | 145 | 150 | 490 |
| 630 | 355 | TR11630355 | 698 | 145 | 150 | 476 |
| 630 | 400 | TR11630400 | 725 | 160 | 145 | 505 |
| 630 | 450 | TR11630450 | 788 | 168 | 155 | 496 |
| 630 | 500 | TR11630500 | 827 | 180 | 145 | 508 |

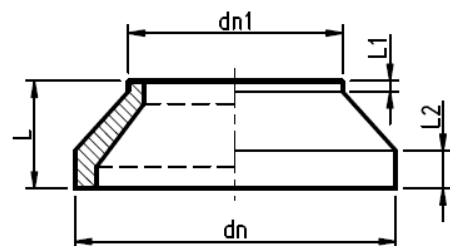


Concentric Reducer

SDR17

| dn (mm) | dn1 (mm) | Code | L (mm) | L1 (mm) | L2 (mm) |
|---------|----------|--------------|--------|---------|---------|
| 75 | 50 | RCLS17075050 | 184 | 80 | 55 |
| 75 | 63 | RCLS17075063 | 184 | 80 | 55 |
| 90 | 50 | RCLS17090050 | 184 | 81 | 57 |
| 90 | 63 | RCLS17090063 | 136 | 64 | 60 |
| 90 | 75 | RCLS17090075 | 136 | 67 | 59 |
| 110 | 50 | RCLS17110050 | 174 | 74 | 49 |
| 110 | 63 | RCLS17110063 | 174 | 74 | 49 |
| 110 | 75 | RCLS17110075 | 186 | 83 | 75 |
| 110 | 90 | RCLS17110090 | 156 | 76 | 66 |
| 125 | 63 | RCLS17125063 | 195 | 103 | 72 |
| 125 | 75 | RCLS17125075 | 195 | 103 | 70 |
| 125 | 90 | RCLS17125090 | 198 | 105 | 79 |
| 125 | 110 | RCLS17125110 | 213 | 92 | 82 |
| 140 | 110 | RCLS17140110 | 243 | 102 | 92 |
| 160 | 63 | RCLS17160063 | 210 | 102 | 61 |
| 160 | 75 | RCLS17160075 | 184 | 81 | 72 |
| 160 | 90 | RCLS17160090 | 210 | 107 | 71 |
| 160 | 110 | RCLS17160110 | 203 | 98 | 77 |
| 160 | 125 | RCLS17160125 | 200 | 93 | 83 |
| 160 | 140 | RCLS17160140 | 200 | 93 | 90 |
| 180 | 63 | RC17180063 | 180 | 80 | 75 |
| 180 | 75 | RC17180075 | 180 | 80 | 75 |
| 180 | 90 | RC17180090 | 187 | 78 | 85 |
| 180 | 110 | RCLS17180110 | 187 | 80 | 85 |
| 180 | 125 | RCLS17180125 | 232 | 112 | 81 |
| 180 | 160 | RCLS17180160 | 235 | 112 | 98 |
| 200 | 63 | RC17200063 | 218 | 75 | 67 |
| 200 | 75 | RC17200075 | 218 | 75 | 75 |
| 200 | 90 | RC17200090 | 218 | 75 | 93 |
| 200 | 110 | RCLS17200110 | 235 | 112 | 98 |
| 200 | 125 | RCLS17200125 | 265 | 128 | 90 |
| 200 | 160 | RCLS17200160 | 291 | 125 | 96 |
| 200 | 180 | RCLS17200180 | 285 | 125 | 120 |
| 225 | 110 | RCLS17225110 | 285 | 136 | 115 |
| 225 | 160 | RCLS17225160 | 285 | 136 | 120 |
| 225 | 180 | RC17225180 | 227 | 95 | 102 |
| 225 | 200 | RCLS17225200 | 285 | 136 | 120 |
| 250 | 110 | RCLS17250110 | 243 | 111 | 97 |
| 250 | 125 | RC17250125 | 290 | 130 | 98 |
| 250 | 160 | RCLS17250160 | 290 | 130 | 98 |
| 250 | 180 | RCLS17250180 | 227 | 98 | 99 |
| 250 | 200 | RCLS17250200 | 287 | 138 | 115 |
| 250 | 225 | RC17250225 | 227 | 98 | 99 |
| 280 | 110 | RC17280110 | 225 | 105 | 95 |
| 280 | 125 | RC17280125 | 284 | 112 | 83 |
| 280 | 160 | RC17280160 | 245 | 105 | 105 |

| dn (mm) | dn1 (mm) | Code | L (mm) | L1 (mm) | L2 (mm) |
|---------|----------|--------------|--------|---------|---------|
| 280 | 200 | RC17280200 | 245 | 105 | 120 |
| 280 | 225 | RC17280225 | 245 | 105 | 120 |
| 280 | 250 | RCLS17280250 | 247 | 109 | 91 |
| 315 | 110 | RC17315110 | 310 | 96 | 98 |
| 315 | 125 | RC17315125 | 310 | 96 | 98 |
| 315 | 140 | RC17315140 | 310 | 96 | 98 |
| 315 | 160 | RC17315160 | 310 | 96 | 98 |
| 315 | 180 | RC17315180 | 310 | 96 | 98 |
| 315 | 200 | RCLS17315200 | 320 | 158 | 120 |
| 315 | 225 | RC17315225 | 95 | 99 | 250 |
| 315 | 250 | RCLS17315250 | 312 | 150 | 130 |
| 315 | 280 | RCLS17315280 | 312 | 150 | 145 |
| 355 | 110 | RC17355110 | 310 | 98 | 86 |
| 355 | 160 | RC17355160 | 270 | 97 | 88 |
| 355 | 200 | RC17355200 | 205 | 83 | 80 |
| 355 | 225 | RC17355225 | 245 | 95 | 86 |
| 355 | 250 | RC17355250 | 260 | 98 | 100 |
| 355 | 280 | RC17355280 | 241 | 98 | 101 |
| 355 | 315 | RC17355315 | 262 | 69 | 106 |
| 400 | 160 | RC17400160 | 320 | 127 | 140 |
| 400 | 200 | RC17400200 | 320 | 127 | 140 |
| 400 | 225 | RC17400225 | 320 | 127 | 140 |
| 400 | 250 | RCLS17400250 | 405 | 180 | 123 |
| 400 | 280 | RC17400280 | 300 | 125 | 131 |
| 400 | 315 | RC17400315 | 174 | 68 | 69 |
| 400 | 355 | RC17400355 | 225 | 100 | 110 |
| 450 | 200 | RC17450200 | 270 | 105 | 100 |
| 450 | 225 | RC17450225 | 270 | 105 | 105 |
| 450 | 250 | RC17450250 | 270 | 105 | 110 |
| 450 | 280 | RC17450280 | 255 | 105 | 110 |



Concentric Reducer

SDR17

| dn (mm) | dn1 (mm) | Code | L (mm) | L1 (mm) | L2 (mm) |
|---------|----------|-------------|--------|---------|---------|
| 450 | 315 | RC17450315 | 250 | 105 | 110 |
| 450 | 355 | RC17450355 | 245 | 105 | 110 |
| 450 | 400 | RC17450400 | 245 | 105 | 120 |
| 500 | 280 | RC17500280 | 280 | 98 | 110 |
| 500 | 315 | RC17500315 | 275 | 98 | 110 |
| 500 | 355 | RC17500355 | 275 | 98 | 110 |
| 500 | 400 | RC17500400 | 275 | 98 | 120 |
| 500 | 450 | RC17500450 | 275 | 98 | 120 |
| 560 | 400 | RC17560400 | 260 | 105 | 120 |
| 560 | 450 | RC17560450 | 250 | 105 | 120 |
| 560 | 500 | RC17560500 | 240 | 105 | 120 |
| 630 | 280 | RC17630280 | 285 | 110 | 100 |
| 630 | 315 | RC17630315 | 285 | 110 | 100 |
| 630 | 355 | RC17630355 | 285 | 110 | 110 |
| 630 | 400 | RC17630400 | 285 | 110 | 120 |
| 630 | 450 | RC17630450 | 275 | 110 | 120 |
| 630 | 500 | RC17630500 | 260 | 110 | 120 |
| 630 | 560 | RC17630560 | 255 | 110 | 130 |
| 710 | 630 | RC17710630 | 260 | 120 | 120 |
| 800 | 500 | RC17800500 | 305 | 120 | 120 |
| 800 | 560 | RC17800560 | 290 | 120 | 120 |
| 800 | 630 | RC17800630 | 280 | 120 | 120 |
| 800 | 710 | RC17800710 | 268 | 120 | 120 |
| 900 | 800 | RC17900800 | - | - | - |
| 1000 | 800 | RC171000800 | - | - | - |
| 1000 | 900 | RC171000900 | - | - | - |

SDR11

| dn (mm) | dn1 (mm) | Code | L (mm) | L1 (mm) | L2 (mm) |
|---------|----------|--------------|--------|---------|---------|
| 63 | 50 | RCLS11063050 | 109 | 49 | 51 |
| 75 | 50 | RCLS11075050 | 184 | 80 | 55 |
| 75 | 63 | RCLS11075063 | 184 | 80 | 55 |
| 90 | 50 | RCLS11090050 | 184 | 81 | 57 |
| 90 | 63 | RC11090063 | 136 | 64 | 46 |
| 90 | 75 | RCLS11090075 | 136 | 67 | 59 |
| 110 | 50 | RCLS11110050 | 174 | 74 | 49 |
| 110 | 63 | RCLS11110063 | 174 | 74 | 49 |
| 110 | 75 | RCLS11110075 | 156 | 75 | 65 |
| 110 | 90 | RCLS11110090 | 156 | 76 | 66 |
| 125 | 63 | RCLS11125063 | 195 | 103 | 72 |
| 125 | 75 | RCLS11125075 | 195 | 103 | 70 |
| 125 | 90 | RCLS11125090 | 198 | 105 | 79 |
| 125 | 110 | RCLS11125110 | 213 | 92 | 82 |
| 140 | 110 | RCLS11140110 | 230 | 104 | 83 |
| 160 | 63 | RCLS11160063 | 210 | 102 | 61 |
| 160 | 75 | RCLS11160075 | 217 | 101 | 83 |

| dn (mm) | dn1 (mm) | Code | L (mm) | L1 (mm) | L2 (mm) |
|---------|----------|--------------|--------|---------|---------|
| 160 | 90 | RCLS11160090 | 210 | 107 | 71 |
| 160 | 110 | RCLS11160110 | 203 | 98 | 77 |
| 160 | 125 | RCLS11160125 | 218 | 112 | 87 |
| 160 | 140 | RCLS11160140 | 218 | 110 | 92 |
| 180 | 63 | RC11180063 | 180 | 80 | 75 |
| 180 | 75 | RC11180075 | 180 | 80 | 75 |
| 180 | 90 | RC11180090 | 180 | 80 | 80 |
| 180 | 110 | RC11180110 | 233 | 112 | 91 |
| 180 | 125 | RC11180125 | 243 | 112 | 91 |
| 180 | 160 | RC11180160 | 235 | 112 | 98 |
| 200 | 63 | RC11200063 | 218 | 75 | 67 |
| 200 | 75 | RC11200075 | 218 | 75 | 75 |
| 200 | 90 | RC11200090 | 218 | 75 | 93 |
| 200 | 110 | RC11200110 | 284 | 117 | 114 |
| 200 | 125 | RC11200125 | 265 | 128 | 90 |
| 200 | 160 | RC11200160 | 291 | 125 | 96 |
| 200 | 180 | RC11200180 | 285 | 125 | 120 |
| 225 | 110 | RC11225110 | 285 | 136 | 115 |
| 225 | 125 | RC11225125 | 230 | 98 | 82 |
| 225 | 160 | RC11225160 | 285 | 136 | 120 |
| 225 | 180 | RC11225180 | 230 | 97 | 100 |
| 225 | 200 | RCLS11225200 | 285 | 136 | 120 |
| 250 | 110 | RCLS11250110 | 290 | 130 | 100 |
| 250 | 125 | RC11250125 | 173 | 96 | 85 |
| 250 | 160 | RCLS11250160 | 290 | 130 | 107 |
| 250 | 180 | RCLS11250180 | 290 | 130 | 115 |
| 250 | 200 | RCLS11250200 | 284 | 132 | 120 |
| 250 | 225 | RC11250225 | 227 | 98 | 99 |
| 280 | 110 | RC11280110 | - | - | - |
| 280 | 125 | RC11280125 | - | - | - |
| 280 | 160 | RC11280160 | 226 | 90 | 103 |
| 280 | 180 | RC11280180 | 245 | 105 | 105 |
| 280 | 200 | RC11280200 | 245 | 105 | 120 |
| 280 | 225 | RC11280225 | 245 | 105 | 120 |
| 280 | 250 | RCLS11280250 | 330 | 143 | 134 |
| 315 | 110 | RC11315110 | 312 | 99 | 99 |
| 315 | 125 | RC11315125 | 306 | 94 | 100 |
| 315 | 140 | RC11315140 | 295 | 99 | 98 |
| 315 | 160 | RC11315160 | 282 | 96 | 100 |
| 315 | 180 | RC11315180 | 264 | 95 | 100 |
| 315 | 200 | RCLS11315200 | 320 | 158 | 120 |
| 315 | 225 | RC11315225 | 250 | 95 | 100 |
| 315 | 250 | RC11315250 | 235 | 96 | 102 |
| 315 | 280 | RC11315280 | 240 | 99 | 97 |
| 355 | 110 | RC11355110 | 309 | 98 | 84 |
| 355 | 160 | RC11355160 | 292 | 101 | 91 |
| 355 | 200 | RC11355200 | 200 | 90 | 80 |
| 355 | 225 | RC11355225 | 262 | 99 | 100 |
| 355 | 250 | RC11355250 | 266 | 98 | 100 |

Concentric Reducer

SDR11

| dn (mm) | dn1 (mm) | Code | L (mm) | L1 (mm) | L2 (mm) |
|---------|----------|------------|--------|---------|---------|
| 355 | 280 | RC11355280 | 272 | 97 | 100 |
| 355 | 315 | RC11355315 | 261 | 119 | 105 |
| 400 | 160 | RC11400160 | 215 | 90 | 85 |
| 400 | 180 | RC11400180 | 270 | 100 | 110 |
| 400 | 200 | RC11400200 | 265 | 100 | 100 |
| 400 | 225 | RC11400225 | 250 | 100 | 110 |
| 400 | 250 | RC11400250 | 215 | 90 | 85 |
| 400 | 280 | RC11400280 | 230 | 100 | 110 |
| 400 | 315 | RC11400315 | 225 | 100 | 110 |
| 400 | 355 | RC11400355 | 230 | 100 | 110 |
| 450 | 180 | RC11450180 | - | - | - |
| 450 | 200 | RC11450200 | 270 | 105 | 100 |
| 450 | 225 | RC11450225 | 270 | 105 | 105 |
| 450 | 250 | RC11450250 | 270 | 105 | 110 |
| 450 | 280 | RC11450280 | 255 | 105 | 110 |
| 450 | 315 | RC11450315 | 250 | 105 | 110 |
| 450 | 355 | RC11450355 | 245 | 105 | 110 |
| 450 | 400 | RC11450400 | 245 | 105 | 120 |
| 500 | 200 | RC11500200 | 280 | 98 | 110 |
| 500 | 225 | RC11500225 | 280 | 98 | 105 |
| 500 | 250 | RC11500250 | 280 | 98 | 110 |
| 500 | 280 | RC11500280 | 280 | 98 | 110 |
| 500 | 315 | RC11500315 | 275 | 98 | 110 |
| 500 | 355 | RC11500355 | 275 | 98 | 110 |
| 500 | 400 | RC11500400 | 275 | 98 | 120 |
| 500 | 450 | RC11500450 | 275 | 98 | 120 |
| 560 | 280 | RC11560280 | 280 | 105 | 110 |
| 560 | 315 | RC11560315 | 280 | 105 | 110 |
| 560 | 355 | RC11560355 | 265 | 105 | 110 |
| 560 | 400 | RC11560400 | 260 | 105 | 120 |
| 560 | 450 | RC11560450 | 250 | 105 | 120 |
| 560 | 500 | RC11560500 | 240 | 105 | 120 |
| 630 | 280 | RC11630280 | 285 | 110 | 100 |
| 630 | 315 | RC11630315 | 285 | 110 | 100 |
| 630 | 355 | RC11630355 | 285 | 110 | 110 |
| 630 | 400 | RC11630400 | 285 | 110 | 120 |
| 630 | 450 | RC11630450 | 275 | 110 | 120 |
| 630 | 500 | RC11630500 | 260 | 110 | 120 |
| 630 | 560 | RC11630560 | 255 | 110 | 130 |
| 710 | 560 | RC11710560 | 277 | 120 | 120 |
| 710 | 630 | RC11710630 | 260 | 120 | 120 |
| 800 | 630 | RC11800630 | 282 | 120 | 120 |
| 800 | 710 | RC11800710 | 268 | 120 | 120 |

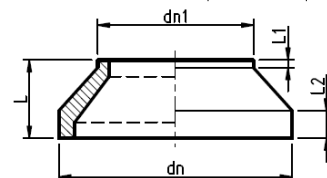
Other sizes available on request.

SDR9

| dn (mm) | dn1 (mm) | Code | L (mm) | L1 (mm) | L2 (mm) |
|---------|----------|--------------|--------|---------|---------|
| 90 | 63 | RCLS09090063 | 145 | 75 | 55 |
| 90 | 75 | RCLS09090075 | 145 | 75 | 60 |
| 110 | 90 | RCLS09110090 | 160 | 78 | 75 |
| 160 | 63 | RCLS09160063 | 190 | 85 | 60 |
| 160 | 110 | RCLS09160110 | 190 | 85 | 80 |
| 200 | 110 | RC09200110 | 200 | 85 | 80 |
| 200 | 180 | RC09200180 | 200 | 90 | 90 |
| 225 | 110 | RC09255110 | 210 | 95 | 80 |
| 225 | 160 | RC09225160 | 210 | 95 | 85 |
| 280 | 225 | RC09280225 | 230 | 100 | 95 |
| 315 | 160 | RC09315160 | 235 | 110 | 90 |
| 315 | 225 | RC09315225 | 235 | 110 | 100 |
| 315 | 250 | RC09315250 | 235 | 110 | 100 |
| 315 | 280 | RC09315280 | 235 | 110 | 100 |
| 355 | 315 | RC09355315 | 235 | 110 | 100 |
| 400 | 315 | RC09400315 | 230 | 85 | 80 |
| 400 | 355 | RC09400355 | 230 | 85 | 80 |

SDR7.4

| dn (mm) | dn1 (mm) | Code | L (mm) | L1 (mm) | L2 (mm) |
|---------|----------|--------------|--------|---------|---------|
| 250 | 160 | RC07.4250160 | 157 | 55 | 55 |
| 250 | 180 | RC07.4250180 | 150 | 62 | 50 |
| 250 | 200 | RC07.4250200 | 138 | 60 | 50 |
| 250 | 225 | RC07.4250225 | 142 | 50 | 68 |
| 280 | 200 | RC07.4280200 | 160 | 72 | 51 |
| 280 | 225 | RC07.4280225 | 154 | 72 | 57 |
| 280 | 250 | RC07.4280250 | 150 | 71 | 64 |
| 315 | 225 | RC07.4315225 | 184 | 82 | 57 |
| 315 | 250 | RC07.4315250 | 178 | 81 | 62 |
| 315 | 280 | RC07.4315280 | 175 | 79 | 72 |
| 355 | 250 | RC07.4355250 | 195 | 87 | 62 |
| 355 | 280 | RC07.4355280 | 200 | 87 | 77 |
| 355 | 315 | RC07.4355315 | 188 | 88 | 78 |
| 400 | 280 | RC07.4400280 | 226 | 96 | 73 |
| 400 | 315 | RC07.4400315 | 218 | 97 | 83 |
| 400 | 355 | RC07.4400355 | 208 | 97 | 92 |
| 450 | 315 | RC07.4450315 | 206 | 64 | 76 |
| 450 | 355 | RC07.4450355 | 203 | 64 | 92 |
| 450 | 400 | RC07.4450400 | 188 | 63 | 99 |
| 500 | 450 | RC07.4500450 | 166 | 63 | 63 |
| 560 | 400 | RC07.4560400 | 240 | 60 | 98 |
| 560 | 450 | RC07.4560450 | 185 | 57 | 65 |
| 630 | 500 | RC07.4630500 | - | - | - |



Valve Spacer

SDR17

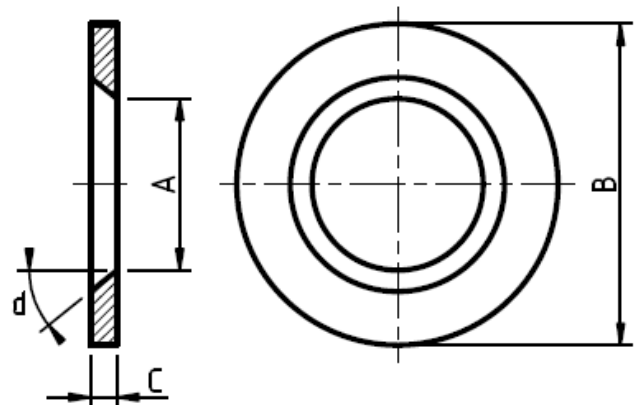
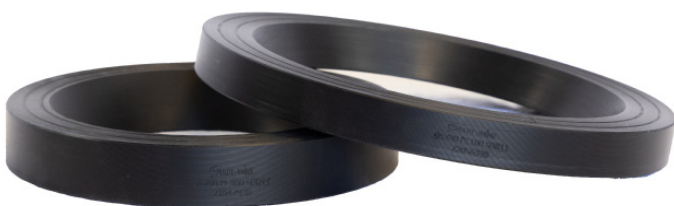
| dn (mm) | Code | A (mm) | B (mm) | C (mm) | d (mm) |
|---------|---------|--------|--------|--------|--------|
| 125 | VS17125 | 100 | 192 | 25 | 20 |
| 160 | VS17160 | 141 | 213 | 25 | 20 |
| 200 | VS17200 | 176 | 270 | 25 | 30 |
| 250 | VS17250 | 220 | 334 | 30 | 30 |
| 280 | VS17280 | 246 | 334 | 30 | 20 |
| 315 | VS17315 | 277 | 380 | 30 | 30 |
| 355 | VS17355 | 312 | 444 | 40 | 30 |
| 400 | VS17400 | 352 | 495 | 40 | 30 |
| 450 | VS17450 | 396 | 545 | 60 | 30 |
| 500 | VS17500 | 440 | 602 | 50 | 25 |
| 630 | VS17630 | 554 | 708 | 60 | 30 |

SDR11

| dn (mm) | Code | A (mm) | B (mm) | C (mm) | d (mm) |
|---------|---------|--------|--------|--------|--------|
| 110 | VS11110 | 90 | 158 | 13 | 20 |
| 125 | VS11125 | 102 | 190 | 25 | 25 |
| 140 | VS11140 | 114.6 | 188 | 25 | 20 |
| 160 | VS11160 | 130.8 | 212 | 25 | 25 |
| 180 | VS11180 | 149 | 213 | 30 | 10 |
| 200 | VS11200 | 163.6 | 268 | 40 | 30 |
| 225 | VS11225 | 184 | 268 | 25 | 25 |
| 250 | VS11250 | 203 | 334 | 50 | 30 |
| 280 | VS11280 | 228 | 334 | 30 | 30 |
| 315 | VS11315 | 257.8 | 384 | 60 | 30 |
| 355 | VS11355 | 290.6 | 430 | 60 | 30 |
| 400 | VS11400 | 327.4 | 482 | 80 | 30 |
| 450 | VS11450 | 368.2 | 545 | 100 | 25 |
| 500 | VS11500 | 409.2 | 585 | 100 | 25 |
| 630 | VS11630 | 513 | 708 | 100 | 20 |

SDR9

| dn (mm) | Code |
|---------|---------|
| 110 | VS09110 |
| 125 | VS09125 |
| 140 | VS09140 |
| 160 | VS09160 |
| 180 | VS09180 |
| 200 | VS09200 |
| 225 | VS09225 |
| 250 | VS09250 |
| 280 | VS09280 |
| 315 | VS09315 |
| 355 | VS09355 |
| 400 | VS09400 |
| 450 | VS09450 |
| 500 | VS09500 |
| 560 | VS09560 |
| 630 | VS09630 |

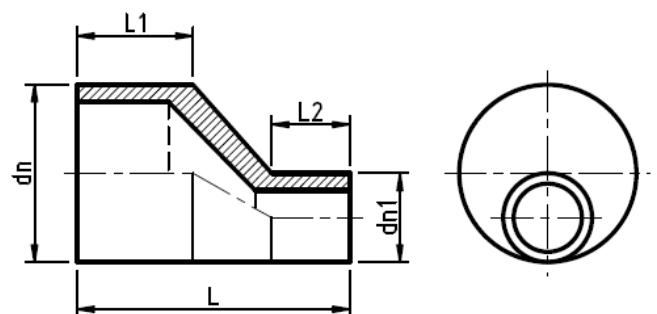


Eccentric Reducer

SDR17

| dn (mm) | dn1 (mm) | Code | L (mm) | L1 (mm) | L2 (mm) |
|------------|-------------|------------|-----------|------------|------------|
| 110 | 63 | RE17110063 | 180 | 80 | 70 |
| 110 | 75 | RE17110075 | 180 | 80 | 70 |
| 110 | 90 | RE17110090 | 180 | 80 | 70 |
| 125 | 63 | RE17125063 | 180 | 80 | 70 |
| 125 | 75 | RE17125075 | 180 | 80 | 70 |
| 125 | 90 | RE17125090 | 180 | 80 | 70 |
| 125 | 110 | RE17125110 | 180 | 80 | 70 |
| 140 | 63 | RE17140063 | 180 | 80 | 70 |
| 140 | 75 | RE17140075 | 180 | 80 | 70 |
| 140 | 90 | RE17140090 | 180 | 80 | 70 |
| 140 | 110 | RE17140110 | 180 | 80 | 70 |
| 140 | 125 | RE17140125 | 180 | 80 | 70 |
| 160 | 63 | RE17160063 | 190 | 80 | 80 |
| 160 | 75 | RE17160075 | 190 | 80 | 80 |
| 160 | 90 | RE17160090 | 190 | 80 | 80 |
| 160 | 110 | RE17160110 | 190 | 80 | 80 |
| 160 | 125 | RE17160125 | 190 | 80 | 80 |
| 160 | 140 | RE17160140 | 190 | 80 | 80 |
| 180 | 63 | RE17180063 | 200 | 90 | 80 |
| 180 | 75 | RE17180075 | 200 | 90 | 80 |
| 180 | 90 | RE17180090 | 200 | 90 | 80 |
| 180 | 110 | RE17180110 | 200 | 90 | 80 |
| 180 | 125 | RE17180125 | 200 | 90 | 80 |
| 180 | 140 | RE17180140 | 200 | 90 | 80 |
| 180 | 160 | RE17180160 | 200 | 90 | 80 |
| 200 | 63 | RE17200063 | 210 | 100 | 80 |
| 200 | 75 | RE17200075 | 210 | 100 | 80 |
| 200 | 90 | RE17200090 | 210 | 100 | 80 |
| 200 | 110 | RE17200110 | 210 | 100 | 80 |
| 200 | 125 | RE17200125 | 210 | 100 | 80 |
| 200 | 140 | RE17200140 | 210 | 100 | 80 |
| 200 | 160 | RE17200160 | 210 | 100 | 80 |
| 200 | 180 | RE17200180 | 210 | 100 | 80 |
| 225 | 75 | RE17225075 | 220 | 100 | 90 |
| 225 | 90 | RE17225090 | 220 | 100 | 90 |
| 225 | 110 | RE17225110 | 220 | 100 | 90 |
| 225 | 125 | RE17225125 | 220 | 100 | 90 |
| 225 | 140 | RE17225140 | 220 | 100 | 90 |

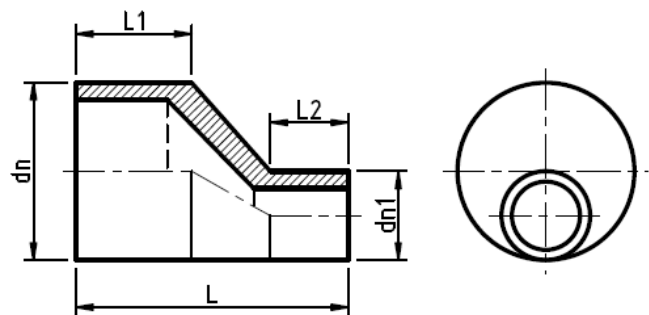
| dn (mm) | dn1 (mm) | Code | L (mm) | L1 (mm) | L2 (mm) |
|------------|-------------|------------|-----------|------------|------------|
| 225 | 160 | RE17225160 | 220 | 100 | 90 |
| 225 | 180 | RE17225180 | 220 | 100 | 90 |
| 225 | 200 | RE17225200 | 220 | 100 | 90 |
| 250 | 75 | RE17250075 | 220 | 100 | 90 |
| 250 | 90 | RE17250090 | 220 | 100 | 90 |
| 250 | 110 | RE17250110 | 220 | 100 | 90 |
| 250 | 125 | RE17250125 | 220 | 100 | 90 |
| 250 | 140 | RE17250140 | 220 | 100 | 90 |
| 250 | 160 | RE17250160 | 220 | 100 | 90 |
| 250 | 180 | RE17250180 | 220 | 100 | 90 |
| 250 | 200 | RE17250200 | 220 | 100 | 90 |
| 250 | 225 | RE17250225 | 220 | 100 | 90 |
| 280 | 110 | RE17280110 | 230 | 110 | 90 |
| 280 | 125 | RE17280125 | 230 | 110 | 90 |
| 280 | 140 | RE17280140 | 230 | 110 | 90 |
| 280 | 160 | RE17280160 | 230 | 110 | 90 |
| 280 | 180 | RE17280180 | 230 | 110 | 90 |
| 280 | 200 | RE17280200 | 230 | 110 | 90 |
| 280 | 225 | RE17280225 | 230 | 110 | 90 |
| 280 | 250 | RE17280250 | 230 | 110 | 90 |
| 315 | 110 | RE17315110 | 230 | 110 | 90 |
| 315 | 125 | RE17315125 | 230 | 110 | 90 |
| 315 | 140 | RE17315140 | 230 | 110 | 90 |
| 315 | 160 | RE17315160 | 230 | 110 | 90 |
| 315 | 180 | RE17315180 | 230 | 110 | 90 |
| 315 | 200 | RE17315200 | 230 | 110 | 90 |
| 315 | 225 | RE17315225 | 230 | 110 | 90 |
| 315 | 250 | RE17315250 | 230 | 110 | 90 |
| 315 | 280 | RE17315280 | 230 | 110 | 90 |
| 355 | 110 | RE17355110 | 240 | 110 | 100 |
| 355 | 125 | RE17355125 | 240 | 110 | 100 |
| 355 | 140 | RE17355140 | 240 | 110 | 100 |
| 355 | 160 | RE17355160 | 240 | 110 | 100 |



Poly Fittings - Butt Weld

| dn (mm) | dn1 (mm) | Code | L (mm) | L1 (mm) | L2 (mm) |
|------------|-------------|------------|-----------|------------|------------|
| 355 | 180 | RE17355180 | 240 | 110 | 100 |
| 355 | 200 | RE17355200 | 240 | 110 | 100 |
| 355 | 225 | RE17355225 | 240 | 110 | 100 |
| 355 | 250 | RE17355250 | 240 | 110 | 100 |
| 355 | 280 | RE17355280 | 240 | 110 | 100 |
| 355 | 315 | RE17355315 | 240 | 110 | 100 |
| 400 | 110 | RE17400110 | 240 | 110 | 100 |
| 400 | 125 | RE17400125 | 240 | 110 | 100 |
| 400 | 140 | RE17400140 | 240 | 110 | 100 |
| 400 | 160 | RE17400160 | 240 | 110 | 100 |
| 400 | 180 | RE17400180 | 240 | 110 | 100 |
| 400 | 200 | RE17400200 | 240 | 110 | 100 |
| 400 | 225 | RE17400225 | 240 | 110 | 100 |
| 400 | 250 | RE17400250 | 240 | 110 | 100 |
| 400 | 280 | RE17400280 | 240 | 110 | 100 |
| 400 | 315 | RE17400315 | 240 | 110 | 100 |
| 400 | 355 | RE17400355 | 240 | 110 | 100 |
| 450 | 200 | RE17450200 | 250 | 120 | 100 |
| 450 | 225 | RE17450225 | 250 | 120 | 100 |
| 450 | 250 | RE17450250 | 250 | 120 | 100 |
| 450 | 280 | RE17450280 | 250 | 120 | 100 |
| 450 | 315 | RE17450315 | 250 | 120 | 110 |
| 450 | 355 | RE17450355 | 250 | 120 | 110 |
| 450 | 400 | RE17450400 | 250 | 120 | 110 |
| 500 | 200 | RE17500200 | 260 | 120 | 110 |
| 500 | 225 | RE17500225 | 260 | 120 | 110 |
| 500 | 250 | RE17500250 | 260 | 120 | 110 |
| 500 | 280 | RE17500280 | 260 | 120 | 110 |
| 500 | 315 | RE17500315 | 260 | 120 | 110 |
| 500 | 355 | RE17500355 | 260 | 120 | 110 |
| 500 | 400 | RE17500400 | 260 | 120 | 110 |
| 500 | 450 | RE17500450 | 260 | 120 | 110 |
| 560 | 200 | RE17560200 | 260 | 120 | 110 |
| 560 | 225 | RE17560225 | 260 | 120 | 110 |
| 560 | 250 | RE17560250 | 260 | 120 | 110 |
| 560 | 280 | RE17560280 | 260 | 120 | 110 |
| 560 | 315 | RE17560315 | 260 | 120 | 110 |
| 560 | 355 | RE17560355 | 260 | 120 | 110 |
| 560 | 400 | RE17560400 | 260 | 120 | 110 |
| 560 | 450 | RE17560450 | 260 | 120 | 110 |
| 560 | 500 | RE17560500 | 260 | 120 | 110 |

| dn (mm) | dn1 (mm) | Code | L (mm) | L1 (mm) | L2 (mm) |
|------------|-------------|------------|-----------|------------|------------|
| 630 | 200 | RE17630200 | 260 | 120 | 110 |
| 630 | 225 | RE17630225 | 260 | 120 | 110 |
| 630 | 250 | RE17630250 | 260 | 120 | 110 |
| 630 | 280 | RE17630280 | 260 | 120 | 110 |
| 630 | 315 | RE17630315 | 260 | 120 | 110 |
| 630 | 355 | RE17630355 | 260 | 120 | 110 |
| 630 | 400 | RE17630400 | 260 | 120 | 110 |
| 630 | 450 | RE17630450 | 260 | 120 | 110 |
| 630 | 500 | RE17630500 | 260 | 120 | 110 |
| 630 | 560 | RE17630560 | 260 | 120 | 110 |
| 710 | 250 | RE17710250 | 270 | 130 | 110 |
| 710 | 280 | RE17710280 | 270 | 130 | 110 |
| 710 | 315 | RE17710315 | 270 | 130 | 110 |
| 710 | 355 | RE17710355 | 270 | 130 | 110 |
| 710 | 400 | RE17710400 | 270 | 130 | 110 |
| 710 | 450 | RE17710450 | 270 | 130 | 110 |
| 710 | 500 | RE17710500 | 270 | 130 | 110 |
| 710 | 560 | RE17710560 | 270 | 130 | 110 |
| 710 | 630 | RE17710630 | 270 | 130 | 110 |
| 800 | 315 | RE17800315 | 280 | 130 | 120 |
| 800 | 355 | RE17800355 | 280 | 130 | 120 |
| 800 | 400 | RE17800400 | 280 | 130 | 120 |
| 800 | 450 | RE17800450 | 280 | 130 | 120 |
| 800 | 500 | RE17800500 | 280 | 130 | 120 |
| 800 | 560 | RE17800560 | 280 | 130 | 120 |
| 800 | 630 | RE17800630 | 280 | 130 | 120 |
| 800 | 710 | RE17800710 | 280 | 130 | 120 |



Eccentric Reducer

SDR11

| dn (mm) | dn1 (mm) | Code | L (mm) | L1 (mm) | L2 (mm) |
|------------|-------------|------------|-----------|------------|------------|
| 90 | 63 | RE11090063 | 160 | 80 | 50 |
| 110 | 63 | RE11110063 | 180 | 80 | 70 |
| 110 | 75 | RE11110075 | 180 | 80 | 70 |
| 110 | 90 | RE11110090 | 180 | 80 | 70 |
| 125 | 63 | RE11125063 | 180 | 80 | 70 |
| 125 | 75 | RE11125075 | 180 | 80 | 70 |
| 125 | 90 | RE11125090 | 180 | 80 | 70 |
| 125 | 110 | RE11125110 | 180 | 80 | 70 |
| 140 | 63 | RE11140063 | 180 | 80 | 70 |
| 140 | 75 | RE11140075 | 180 | 80 | 70 |
| 140 | 90 | RE11140090 | 180 | 80 | 70 |
| 140 | 110 | RE11140110 | 180 | 80 | 70 |
| 140 | 125 | RE11140125 | 180 | 80 | 70 |
| 160 | 63 | RE11160063 | 190 | 80 | 80 |
| 160 | 90 | RE11160090 | 190 | 80 | 80 |
| 160 | 110 | RE11160110 | 190 | 80 | 80 |
| 160 | 125 | RE11160125 | 190 | 80 | 80 |
| 160 | 140 | RE11160140 | 190 | 80 | 80 |
| 180 | 63 | RE11180063 | 200 | 90 | 80 |
| 180 | 75 | RE11180075 | 200 | 90 | 80 |
| 180 | 90 | RE11180090 | 200 | 90 | 80 |
| 180 | 110 | RE11180110 | 200 | 90 | 80 |
| 180 | 125 | RE11180125 | 200 | 90 | 80 |
| 180 | 140 | RE11180140 | 200 | 90 | 80 |
| 180 | 160 | RE11180160 | 200 | 90 | 80 |
| 200 | 63 | RE11200063 | 210 | 100 | 80 |
| 200 | 75 | RE11200075 | 210 | 100 | 80 |
| 200 | 90 | RE11200090 | 210 | 100 | 80 |
| 200 | 110 | RE11200110 | 210 | 100 | 80 |
| 200 | 125 | RE11200125 | 210 | 100 | 80 |
| 200 | 140 | RE11200140 | 210 | 100 | 80 |
| 200 | 160 | RE11200160 | 210 | 100 | 80 |
| 200 | 180 | RE11200180 | 210 | 100 | 80 |
| 225 | 75 | RE11225075 | 220 | 100 | 90 |
| 225 | 90 | RE11225090 | 220 | 100 | 90 |
| 225 | 110 | RE11225110 | 220 | 100 | 90 |
| 225 | 125 | RE11225125 | 220 | 100 | 90 |
| 225 | 140 | RE11225140 | 220 | 100 | 90 |

| dn (mm) | dn1 (mm) | Code | L (mm) | L1 (mm) | L2 (mm) |
|------------|-------------|------------|-----------|------------|------------|
| 225 | 160 | RE11225160 | 220 | 100 | 90 |
| 225 | 180 | RE11225180 | 220 | 100 | 90 |
| 225 | 200 | RE11225200 | 220 | 100 | 90 |
| 250 | 75 | RE11250075 | 220 | 100 | 90 |
| 250 | 90 | RE11250090 | 220 | 100 | 90 |
| 250 | 110 | RE11250110 | 220 | 100 | 90 |
| 250 | 125 | RE11250125 | 220 | 100 | 90 |
| 250 | 140 | RE11250140 | 220 | 100 | 90 |
| 250 | 160 | RE11250160 | 220 | 100 | 90 |
| 250 | 180 | RE11250180 | 220 | 100 | 90 |
| 250 | 200 | RE11250200 | 220 | 100 | 90 |
| 250 | 225 | RE11250225 | 220 | 100 | 90 |
| 280 | 110 | RE11280110 | 230 | 110 | 90 |
| 280 | 125 | RE11280125 | 230 | 110 | 90 |
| 280 | 140 | RE11280140 | 230 | 110 | 90 |
| 280 | 160 | RE11280160 | 230 | 110 | 90 |
| 280 | 180 | RE11280180 | 230 | 110 | 90 |
| 280 | 200 | RE11280200 | 230 | 110 | 90 |
| 280 | 225 | RE11280225 | 230 | 110 | 90 |
| 280 | 250 | RE11280250 | 230 | 110 | 90 |
| 315 | 110 | RE11315110 | 230 | 110 | 90 |
| 315 | 125 | RE11315125 | 230 | 110 | 90 |
| 315 | 140 | RE11315140 | 230 | 110 | 90 |
| 315 | 160 | RE11315160 | 230 | 110 | 90 |
| 315 | 180 | RE11315180 | 230 | 110 | 90 |
| 315 | 200 | RE11315200 | 230 | 110 | 90 |
| 315 | 225 | RE11315225 | 230 | 110 | 90 |
| 315 | 250 | RE11315250 | 230 | 110 | 90 |
| 315 | 280 | RE11315280 | 230 | 110 | 90 |
| 355 | 110 | RE11355110 | 240 | 110 | 100 |
| 355 | 125 | RE11355125 | 240 | 110 | 100 |
| 355 | 140 | RE11355140 | 240 | 110 | 100 |
| 355 | 160 | RE11355160 | 240 | 110 | 100 |
| 355 | 180 | RE11355180 | 240 | 110 | 100 |
| 355 | 200 | RE11355200 | 240 | 110 | 100 |
| 355 | 225 | RE11355225 | 240 | 110 | 100 |
| 355 | 250 | RE11355250 | 240 | 110 | 100 |
| 355 | 280 | RE11355280 | 240 | 110 | 100 |
| 355 | 315 | RE11355315 | 240 | 110 | 100 |
| 400 | 110 | RE11400110 | 240 | 110 | 100 |
| 400 | 125 | RE11400125 | 240 | 110 | 100 |

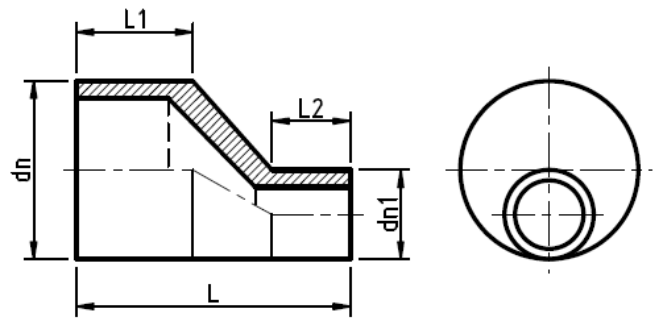
Eccentric Reducer

SDR11

| dn (mm) | dn1 (mm) | Code | L (mm) | L1 (mm) | L2 (mm) |
|------------|-------------|------------|-----------|------------|------------|
| 400 | 140 | RE11400140 | 240 | 110 | 100 |
| 400 | 160 | RE11400160 | 240 | 110 | 100 |
| 400 | 180 | RE11400180 | 240 | 110 | 100 |
| 400 | 200 | RE11400200 | 240 | 110 | 100 |
| 400 | 225 | RE11400225 | 240 | 110 | 100 |
| 400 | 250 | RE11400250 | 240 | 110 | 100 |
| 400 | 280 | RE11400280 | 240 | 110 | 100 |
| 400 | 315 | RE11400315 | 240 | 110 | 100 |
| 400 | 355 | RE11400355 | 240 | 110 | 100 |
| 450 | 200 | RE11450200 | 250 | 120 | 100 |
| 450 | 225 | RE11450225 | 250 | 120 | 100 |
| 450 | 250 | RE11450250 | 250 | 120 | 100 |
| 450 | 280 | RE11450280 | 250 | 120 | 100 |
| 450 | 315 | RE11450315 | 250 | 120 | 110 |
| 450 | 355 | RE11450355 | 250 | 120 | 110 |
| 450 | 400 | RE11450400 | 250 | 120 | 110 |
| 500 | 200 | RE11500200 | 260 | 120 | 110 |
| 500 | 225 | RE11500225 | 260 | 120 | 110 |
| 500 | 250 | RE11500250 | 260 | 120 | 110 |
| 500 | 280 | RE11500280 | 260 | 120 | 110 |
| 500 | 315 | RE11500315 | 260 | 120 | 110 |
| 500 | 355 | RE11500355 | 260 | 120 | 110 |
| 500 | 400 | RE11500400 | 260 | 120 | 110 |
| 500 | 450 | RE11500450 | 260 | 120 | 110 |
| 560 | 200 | RE11560200 | 260 | 120 | 110 |
| 560 | 225 | RE11560225 | 260 | 120 | 110 |
| 560 | 250 | RE11560250 | 260 | 120 | 110 |
| 560 | 280 | RE11560280 | 260 | 120 | 110 |
| 560 | 315 | RE11560315 | 260 | 120 | 110 |
| 560 | 355 | RE11560355 | 260 | 120 | 110 |
| 560 | 400 | RE11560400 | 260 | 120 | 110 |
| 560 | 450 | RE11560450 | 260 | 120 | 110 |
| 560 | 500 | RE11560500 | 260 | 120 | 110 |
| 630 | 200 | RE11630200 | 260 | 120 | 110 |
| 630 | 225 | RE11630225 | 260 | 120 | 110 |
| 630 | 250 | RE11630250 | 260 | 120 | 110 |
| 630 | 280 | RE11630280 | 260 | 120 | 110 |
| 630 | 315 | RE11630315 | 260 | 120 | 110 |
| 630 | 355 | RE11630355 | 260 | 120 | 110 |

| dn (mm) | dn1 (mm) | Code | L (mm) | L1 (mm) | L2 (mm) |
|------------|-------------|------------|-----------|------------|------------|
| 630 | 400 | RE11630400 | 260 | 120 | 110 |
| 630 | 450 | RE11630450 | 260 | 120 | 110 |
| 630 | 500 | RE11630500 | 260 | 120 | 110 |
| 630 | 560 | RE11630560 | 260 | 120 | 110 |
| 800 | 315 | RE11800315 | 280 | 130 | 120 |
| 800 | 355 | RE11800355 | 280 | 130 | 120 |
| 800 | 400 | RE11800400 | 280 | 130 | 120 |
| 800 | 450 | RE11800450 | 280 | 130 | 120 |
| 800 | 500 | RE11800500 | 280 | 130 | 120 |
| 800 | 560 | RE11800560 | 280 | 130 | 120 |
| 800 | 630 | RE11800630 | 280 | 130 | 120 |

Other sizes available on request.



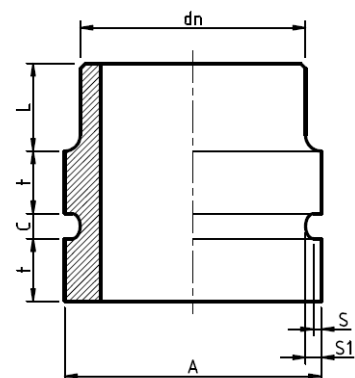
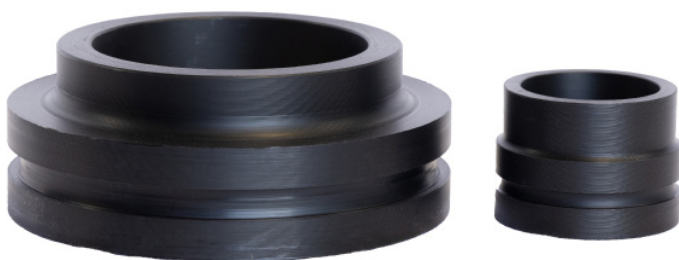
Shouldered End

SDR17

| dn (mm) | Code | A (mm) | L (mm) | C (mm) | t (mm) | S (mm) | S1 (mm) |
|---------|---------|--------|--------|--------|--------|--------|---------|
| 63 | SE17063 | 68 | 30 | 8 | 16 | 2.5 | 2.5 |
| 75 | SE17075 | 97 | 30 | 8 | 16 | 3.5 | 2.5 |
| 90 | SE17090 | 97 | 30 | 8 | 16 | 3.5 | 2.5 |
| 110 | SE17110 | 122 | 30 | 8 | 17.5 | 5 | 3.5 |
| 125 | SE17125 | 176 | 30 | 12 | 19.5 | 6 | 5 |
| 160 | SE17160 | 176 | 30 | 12 | 19.5 | 6 | 5 |
| 180 | SE17180 | 232 | 30 | 16 | 20.5 | 7 | 5 |
| 200 | SE17200 | 232 | 30 | 16 | 20.5 | 7 | 5 |
| 225 | SE17225 | 232 | 30 | 16 | 20.5 | 7 | 5 |
| 250 | SE17250 | 287 | 30 | 16 | 20.5 | 7.5 | 5 |
| 280 | SE17280 | 338 | 30 | 16 | 20.5 | 7.5 | 5 |
| 315 | SE17315 | 338 | 30 | 16 | 20.5 | 7.5 | 5 |
| 355 | SE17355 | 370 | 30 | 16 | 26 | 7.5 | 5 |

SDR11

| dn (mm) | Code | A (mm) | L (mm) | C (mm) | t (mm) | S (mm) | S1 (mm) |
|---------|---------|--------|--------|--------|--------|--------|---------|
| 63 | SE11063 | 68 | 30 | 8 | 16 | 2.5 | 2.5 |
| 75 | SE11075 | 97 | 30 | 8 | 16 | 3.5 | 2.5 |
| 90 | SE11090 | 97 | 30 | 8 | 16 | 3.5 | 2.5 |
| 110 | SE11110 | 122 | 30 | 8 | 17.5 | 5 | 3.5 |
| 125 | SE11125 | 176 | 30 | 12 | 19.5 | 6 | 5 |
| 140 | SE11140 | 176 | 30 | 12 | 19.5 | 6 | 5 |
| 160 | SE11160 | 176 | 30 | 12 | 19.5 | 6 | 5 |
| 180 | SE11180 | 232 | 30 | 16 | 20.5 | 7 | 5 |
| 200 | SE11200 | 232 | 30 | 16 | 20.5 | 7 | 5 |
| 225 | SE11225 | 232 | 30 | 16 | 20.5 | 7 | 5 |
| 250 | SE11250 | 287 | 30 | 16 | 20.5 | 7.5 | 5 |
| 280 | SE11280 | 338 | 30 | 16 | 20.5 | 7.5 | 5 |
| 315 | SE11315 | 338 | 30 | 16 | 20.5 | 7.5 | 5 |
| 355 | SE11355 | 370 | 30 | 16 | 26 | 7.5 | 5 |



Moulded Cross Piece

SDR17

| dn (mm) | Code | e (mm) | L (mm) | L1 (mm) | L2 (mm) |
|---------|----------|--------|--------|---------|---------|
| 355 | CLS17355 | 20.9 | 640 | 140 | 320 |
| 400 | CLS17400 | 23.5 | 685 | 140 | 342.5 |
| 450 | CLS17450 | 26.5 | 740 | 140 | 370 |
| 500 | CLS17500 | 29.4 | 810 | 150 | 405 |
| 560 | CLS17560 | 32.9 | 875 | 150 | 437.5 |
| 630 | CLS17630 | 37.1 | 960 | 160 | 480 |
| 710 | CLS17710 | 41.8 | 1140 | 210 | 570 |
| 800 | CLS17800 | 47.1 | 1280 | 235 | 640 |



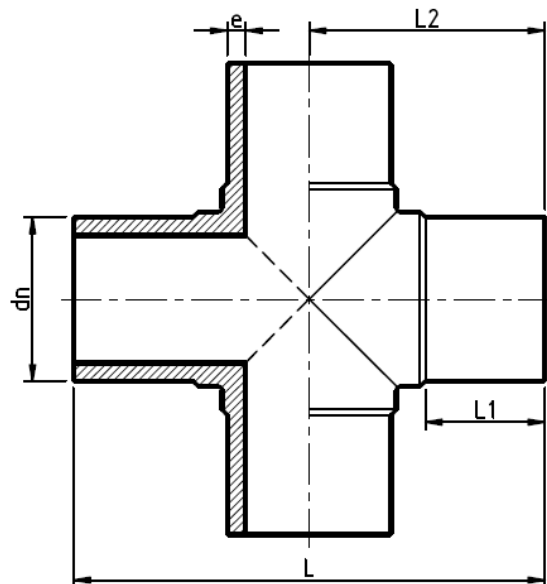
SDR13.6

| dn (mm) | Code | e (mm) | L (mm) | L1 (mm) | L2 (mm) |
|---------|------------|--------|--------|---------|---------|
| 160 | CLS13.6160 | 11.8 | 370 | 105 | 185 |
| 200 | CLS13.6200 | 14.7 | 435 | 110 | 217.5 |
| 225 | CLS13.6225 | 16.5 | 442 | 110 | 221 |
| 250 | CLS13.6250 | 18.4 | 493 | 120 | 246.5 |
| 315 | CLS13.6315 | 23.2 | 558 | 120 | 279 |



SDR11

| dn (mm) | Code | e (mm) | L (mm) | L1 (mm) | L2 (mm) |
|---------|----------|--------|--------|---------|---------|
| 63 | CLS11063 | 5.7 | 184 | 60 | 92 |
| 75 | CLS11075 | 6.8 | 203 | 65 | 101.5 |
| 90 | CLS11090 | 8.2 | 240 | 75 | 120 |
| 110 | CLS11110 | 10.0 | 275 | 85 | 137.5 |
| 125 | CLS11125 | 11.4 | 295 | 85 | 147.5 |
| 160 | CLS11160 | 14.5 | 370 | 105 | 185 |
| 200 | CLS11200 | 18.2 | 435 | 110 | 217.5 |
| 225 | CLS11225 | 20.5 | 442 | 110 | 221 |
| 250 | CLS11250 | 22.7 | 493 | 120 | 246.5 |
| 315 | CLS11315 | 28.6 | 558 | 120 | 279 |
| 355 | CLS11355 | 32.3 | 640 | 140 | 320 |
| 400 | CLS11400 | 36.4 | 685 | 140 | 342.5 |
| 450 | CLS11450 | 42.5 | 740 | 140 | 365 |
| 500 | CLS11500 | 47.8 | 810 | 150 | 400 |
| 560 | CLS11560 | 53.4 | 875 | 150 | 430 |
| 630 | CLS11630 | 59.5 | 960 | 160 | 475 |



Other sizes available on request.

Stub Flange - Long Spigot

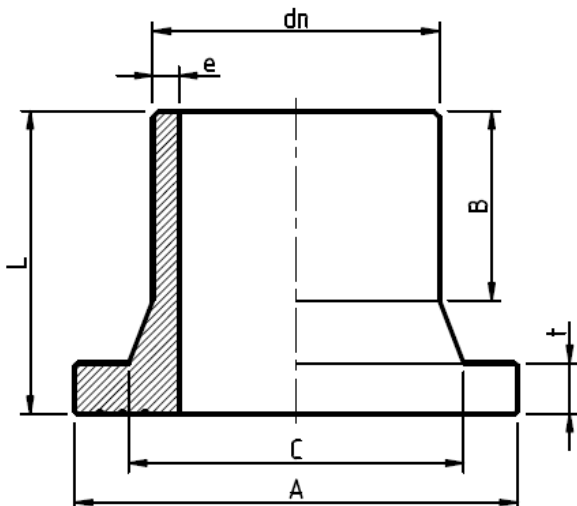
SDR17

| dn (mm) | Code | e (mm) | L (mm) | B (mm) | t (mm) | A (mm) | C (mm) |
|---------|----------|--------|--------|--------|--------|--------|--------|
| 63 | SFL17063 | 3.7 | 90 | 70 | 13 | 95 | 69 |
| 75 | SFL17075 | 4.4 | 95 | 75 | 15 | 103 | 80 |
| 90 | SFL17090 | 5.4 | 121 | 83 | 20 | 128 | 103 |
| 110 | SFL17110 | 6.6 | 126 | 88 | 20 | 160 | 124 |
| 125 | SFL17125 | 7.4 | 137 | 95 | 25 | 192 | 128 |
| 140 | SFL17140 | 8.3 | 173 | 130 | 18 | 188 | 155 |
| 160 | SFL17160 | 9.5 | 147 | 105 | 25 | 217 | 168 |
| 180 | SFL17180 | 10.7 | 167 | 125 | 25 | 217 | 180 |
| 200 | SFL17200 | 11.9 | 175 | 123 | 30 | 270 | 225 |
| 225 | SFL17225 | 13.4 | 179 | 123 | 30 | 270 | 230 |
| 250 | SFL17250 | 14.8 | 184 | 128 | 35 | 334 | 276 |
| 280 | SFL17280 | 16.6 | 200 | 140 | 35 | 334 | 290 |
| 315 | SFL17315 | 18.7 | 196 | 135 | 40 | 380 | 330 |
| 355 | SFL17355 | 21.1 | 215 | 145 | 40 | 444 | 364 |
| 400 | SFL17400 | 23.7 | 243 | 170 | 40 | 495 | 417 |
| 450 | SFL17450 | 26.7 | 280 | 200 | 60 | 545 | 470 |
| 500 | SFL17500 | 29.7 | 310 | 215 | 60 | 596 | 520 |
| 560 | SFL17560 | 33.2 | 330 | 230 | 60 | 657 | 582 |
| 630 | SFL17630 | 37.4 | 350 | 250 | 60 | 710 | 640 |

SDR13.6

| dn (mm) | Code | e (mm) | L (mm) | B (mm) | t (mm) | A (mm) | C (mm) |
|---------|------------|--------|--------|--------|--------|--------|--------|
| 200 | SFL13.6200 | 15 | 175 | 125 | 30 | 270 | 200 |
| 225 | SFL13.6225 | 17 | 180 | 144 | 30 | 270 | 225 |
| 250 | SFL13.6250 | 18.3 | 185 | 125 | 35 | 335 | 287 |
| 315 | SFL13.6315 | 23.1 | 195 | 133 | 40 | 380 | 330 |
| 355 | SFL13.6355 | 27.5 | 215 | 145 | 40 | 445 | 364 |

Chamfered and full face stubs are also available upon request.



Stub Flange - Long Spigot

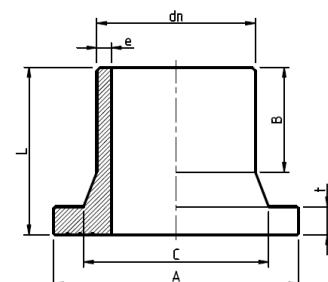
SDR11

| dn (mm) | Code | e (mm) | L (mm) | B (mm) | t (mm) | A (mm) | C (mm) |
|---------|----------|--------|--------|--------|--------|--------|--------|
| 20 | SFL11020 | 3 | 83 | 60 | 7 | 45 | 29 |
| 25 | SFL11025 | 3 | 83 | 60 | 9 | 58 | 35 |
| 32 | SFL11032 | 3.2 | 84 | 60 | 10 | 68 | 40 |
| 40 | SFL11040 | 3.7 | 78 | 50 | 12 | 78 | 50 |
| 50 | SFL11050 | 4.6 | 88 | 56 | 14 | 94 | 60 |
| 63 | SFL11063 | 5.8 | 91 | 58 | 12 | 102 | 75 |
| 75 | SFL11075 | 6.8 | 98 | 65 | 11 | 122 | 89 |
| 90 | SFL11090 | 8.2 | 121 | 83 | 20 | 128 | 103 |
| 110 | SFL11110 | 10 | 126 | 88 | 20 | 160 | 124 |
| 125 | SFL11125 | 11.4 | 137 | 95 | 25 | 192 | 128 |
| 140 | SFL11140 | 12.7 | 173 | 128 | 25 | 188 | 155 |
| 160 | SFL11160 | 14.6 | 147 | 105 | 25 | 217 | 168 |
| 180 | SFL11180 | 16.4 | 167 | 125 | 25 | 217 | 180 |
| 200 | SFL11200 | 18.2 | 175 | 123 | 30 | 270 | 225 |
| 225 | SFL11225 | 20.5 | 179 | 123 | 30 | 270 | 230 |
| 250 | SFL11250 | 22.7 | 184 | 128 | 35 | 334 | 276 |
| 280 | SFL11280 | 25.4 | 200 | 140 | 35 | 334 | 290 |
| 315 | SFL11315 | 28.6 | 196 | 135 | 40 | 380 | 330 |
| 355 | SFL11355 | 32.2 | 215 | 145 | 40 | 444 | 364 |
| 400 | SFL11400 | 36.3 | 243 | 170 | 40 | 495 | 417 |
| 450 | SFL11450 | 40.9 | 280 | 200 | 60 | 545 | 470 |
| 500 | SFL11500 | 45.4 | 310 | 215 | 60 | 596 | 520 |
| 560 | SFL11560 | 50.8 | 330 | 230 | 60 | 657 | 582 |
| 630 | SFL11630 | 57.2 | 350 | 250 | 60 | 710 | 640 |

SDR9

| dn (mm) | Code | e (mm) | L (mm) | B (mm) | t (mm) | A (mm) | C (mm) |
|---------|----------|--------|--------|--------|--------|--------|--------|
| 90 | SFL09090 | 10.1 | 121 | 83 | 20 | 128 | 103 |
| 110 | SFL09110 | 12.3 | 126 | 88 | 20 | 160 | 124 |
| 125 | SFL09125 | 14 | 137 | 95 | 25 | 192 | 128 |
| 160 | SFL09160 | 17.9 | 147 | 105 | 25 | 217 | 168 |
| 180 | SFL09180 | 20.1 | 167 | 125 | 25 | 217 | 180 |
| 200 | SFL09200 | 22.4 | 175 | 123 | 30 | 270 | 225 |
| 225 | SFL09225 | 25.2 | 179 | 123 | 30 | 270 | 230 |
| 250 | SFL09250 | 27.9 | 184 | 128 | 35 | 334 | 276 |
| 280 | SFL09280 | 31.3 | 200 | 140 | 35 | 334 | 290 |
| 315 | SFL09315 | 35.2 | 196 | 135 | 40 | 380 | 330 |

Chamfered and full face stubs are also available upon request.



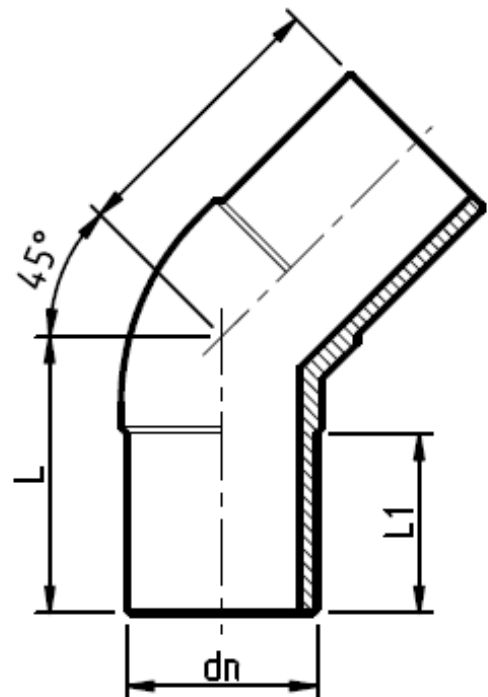
45° Elbow - Long Spigot

SDR17

| dn (mm) | Code | L (mm) | L1 (mm) |
|---------|-------------|--------|---------|
| 50 | ELS4517050 | 90 | 56 |
| 63 | ELS4517063 | 95 | 64 |
| 75 | ELS4517075 | 106 | 72 |
| 90 | ELS4517090 | 111 | 79 |
| 110 | ELS4517110 | 118 | 82 |
| 125 | ELS4517125 | 137 | 85 |
| 140 | ELS4517140 | 145 | 95 |
| 160 | ELS4517160 | 140 | 98 |
| 180 | ELS4517180 | 173 | 108 |
| 200 | ELS4517200 | 169 | 112 |
| 225 | ELS4517225 | 181 | 119 |
| 250 | ELS4517250 | 200 | 130 |
| 280 | ELS4517280 | 237 | 140 |
| 315 | ELS4517315 | 233 | 153 |
| 355 | ELS4517355 | 239 | 140 |
| 400 | ELS1745400 | 278 | 178 |
| 450 | ELS1745450E | 243 | 236 |
| 500 | ELS4517500E | 240 | 240 |
| 560 | ELS4517560E | 260 | 265 |
| 630 | ELS4517630E | 275 | 268 |
| 710 | ELS4517710 | 345 | 170 |
| 800 | ELS4517800 | 380 | 170 |

SDR11

| dn (mm) | Code | L (mm) | L1 (mm) |
|---------|-------------|--------|---------|
| 40 | ELS4511040 | 91 | 51 |
| 50 | ELS4511050 | 80 | 56 |
| 63 | ELS4511063 | 95 | 64 |
| 75 | ELS4511075 | 106 | 72 |
| 90 | ELS4511090 | 111 | 79 |
| 110 | ELS4511110 | 118 | 82 |
| 125 | ELS4511125 | 137 | 85 |
| 140 | ELS4511140 | 145 | 95 |
| 160 | ELS4511160 | 165 | 98 |
| 180 | ELS4511180 | 173 | 108 |
| 200 | ELS4511200 | 169 | 112 |
| 225 | ELS4511225 | 181 | 119 |
| 250 | ELS4511250 | 200 | 130 |
| 280 | ELS4511280 | 237 | 140 |
| 315 | ELS4511315 | 233 | 153 |
| 355 | ELS4511355 | 239 | 140 |
| 400 | ELS4511400 | 278 | 178 |
| 450 | ELS4511450E | 250 | 236 |
| 500 | ELS4511500E | 240 | 260 |
| 560 | ELS4511560E | 260 | 265 |
| 630 | ELS4511630E | 275 | 268 |



The information contained in this catalogue should be used as a guide only and is subject to change without notice. The information contained in this document does not form part of the terms and conditions of sale or constitute the description of any goods to be supplied by Global Water Group or its distributors. Global Water Group does not invite any person/s to act or rely upon such information and liability for such information is excluded. In particular, as product/ technology is developed rapidly, product specifications, designs and components may change and Global Water Group reserves the right at its discretion to make changes as it sees fit. Before purchasing goods, customers should source current product information from their distributor and seek expert advice on their particular intended use and application for the product. No part of this document may be reproduced, in any form, electronic, mechanical recording without the prior written consent of Global Water Group. The designs, graphics, logos, may not be used without consent /permission and written consent.

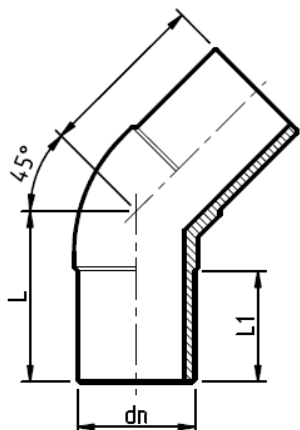
45° Elbow - Long Spigot

SDR9

| dn (mm) | Code | L (mm) | L1 (mm) |
|---------|------------|--------|---------|
| 63 | ELS4509063 | 82 | 60 |
| 75 | ELS4509075 | 100 | 70 |
| 90 | ELS4509090 | 115 | 80 |
| 110 | ELS4509110 | 120 | 80 |
| 125 | ELS4509125 | 158 | 93 |
| 140 | ELS4509140 | 165 | 97 |
| 160 | ELS4509160 | 150 | 98 |
| 180 | ELS4509180 | 155 | 100 |
| 200 | ELS4509200 | 190 | 118 |
| 225 | ELS4509225 | 196 | 120 |
| 250 | ELS4509250 | 208 | 134 |
| 280 | ELS4509280 | 244 | 145 |
| 315 | ELS4509315 | 257 | 154 |
| 355 | ELS4509355 | 271 | 170 |
| 400 | ELS4509400 | 310 | 182 |

SDR7.4

| dn (mm) | Code | L (mm) | L1 (mm) |
|---------|---------------|--------|---------|
| 40 | ELS4507.4040 | 79 | 59 |
| 50 | ELS4507.4050 | 83 | 58 |
| 63 | ELS4507.4063 | 91 | 67 |
| 75 | ELS4507.4075 | 101 | 74 |
| 90 | ELS4507.4090 | 108 | 83 |
| 110 | ELS4507.4110 | 128 | 93 |
| 125 | ELS4507.40125 | 158 | 93 |
| 140 | ELS4507.40140 | 165 | 97 |
| 160 | ELS4507.40160 | 176 | 108 |
| 180 | ELS4507.40180 | 175 | 108 |
| 200 | ELS4507.40200 | 181 | 118 |
| 225 | ELS4507.40225 | 196 | 120 |
| 250 | ELS4507.40250 | 208 | 134 |
| 280 | ELS4507.40280 | 244 | 145 |
| 315 | ELS4507.40315 | 257 | 154 |
| 355 | ELS4507.40355 | 271 | 170 |
| 400 | ELS4507.40400 | 300 | 188 |



90° Elbow - Long Spigot

SDR17

| dn (mm) | Code | L (mm) | L1 (mm) |
|---------|-------------|--------|---------|
| 50 | ELS9017050 | 100 | 56 |
| 63 | ELS9017063 | 116 | 64 |
| 75 | ELS9017075 | 132 | 66 |
| 90 | ELS9017090 | 133 | 81 |
| 110 | ELS9017110 | 146 | 82 |
| 125 | ELS9017125 | 164 | 84 |
| 140 | ELS9017140 | 197 | 90 |
| 160 | ELS9017160 | 192 | 99 |
| 180 | ELS9017180 | 200 | 94 |
| 200 | ELS9017200 | 260 | 113 |
| 225 | ELS9017225 | 252 | 114 |
| 250 | ELS9017250 | 255 | 130 |
| 280 | ELS9017280 | 310 | 140 |
| 315 | ELS9017315 | 341 | 154 |
| 355 | ELS9017355 | 377 | 166 |
| 400 | ELS9017400 | 400 | 180 |
| 450 | ELS9017450E | 425 | 120 |
| 500 | ELS9017500E | 430 | 120 |
| 560 | ELS9017560E | 455 | 135 |
| 630 | ELS9017630E | 520 | 120 |
| 710 | ELS9017710 | 540 | 170 |
| 800 | ELS9017800 | 570 | 170 |

SDR11

| dn (mm) | Code | L (mm) | L1 (mm) |
|---------|-------------|--------|---------|
| 40 | ELS9011040 | 88 | 50 |
| 50 | ELS9011050 | 100 | 56 |
| 63 | ELS9011063 | 116 | 64 |
| 75 | ELS9011075 | 132 | 66 |
| 90 | ELS9011090 | 133 | 81 |
| 110 | ELS9011110 | 146 | 82 |
| 125 | ELS9011125 | 164 | 84 |
| 140 | ELS9011140 | 197 | 90 |
| 160 | ELS9011160 | 192 | 99 |
| 180 | ELS9011180 | 200 | 94 |
| 200 | ELS9011200 | 260 | 113 |
| 225 | ELS9011225 | 252 | 114 |
| 250 | ELS9011250 | 255 | 130 |
| 280 | ELS9011280 | 310 | 140 |
| 315 | ELS9011315 | 341 | 154 |
| 355 | ELS9011355 | 377 | 166 |
| 400 | ELS9011400 | 383 | 182 |
| 450 | ELS9011450E | 440 | 170 |
| 500 | ELS9011500E | 460 | 168 |
| 560 | ELS9011560E | 455 | 135 |
| 630 | ELS9011630E | 555 | 170 |

90° Elbow - Long Spigot

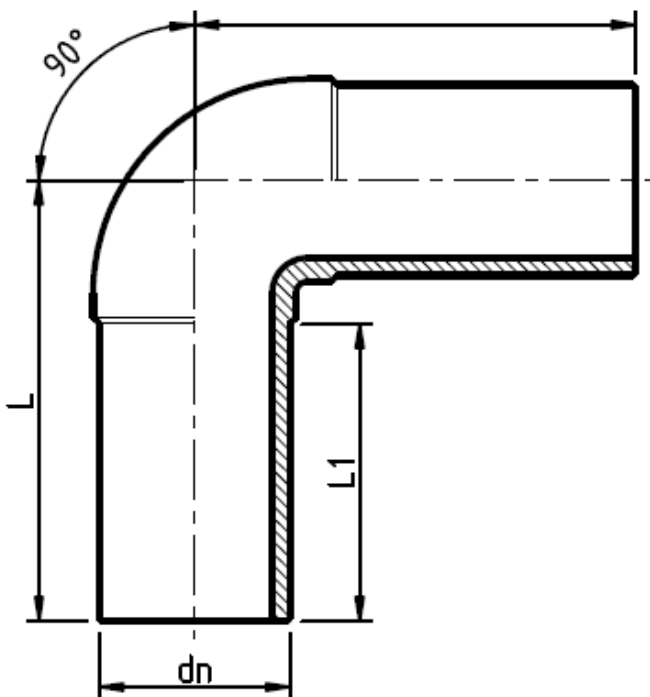
SDR9

| dn (mm) | Code | L (mm) | L1 (mm) |
|---------|------------|--------|---------|
| 63 | ELS9009063 | 105 | 60 |
| 75 | ELS9009075 | 90 | 30 |
| 90 | ELS9009090 | 105 | 28.5 |
| 110 | ELS9009110 | 87.5 | 70 |
| 125 | ELS9009125 | 107 | 80 |
| 140 | ELS9009140 | 97 | 80 |
| 160 | ELS9009160 | 115 | 98 |
| 180 | ELS9009180 | 122 | 100 |
| 200 | ELS9009200 | 151 | 118 |
| 225 | ELS9009225 | 267 | 121 |
| 250 | ELS9009250 | 294 | 132 |
| 280 | ELS9009280 | 335 | 143 |
| 315 | ELS9009315 | 349 | 153 |
| 355 | ELS9009355 | 378 | 171 |
| 400 | ELS9009400 | 419 | 188 |

Other sizes available on request.

SDR7.4

| dn (mm) | Code | L (mm) | L1 (mm) |
|---------|--------------|--------|---------|
| 25 | ELS9007.4025 | 71 | 47 |
| 32 | ELS9007.4032 | 74 | 50 |
| 40 | ELS9007.4040 | 86 | 57 |
| 50 | ELS9007.4050 | 91 | 57 |
| 63 | ELS9007.4063 | 114 | 68 |
| 75 | ELS9007.4075 | 127 | 72 |
| 90 | ELS9007.4090 | 154 | 83 |
| 110 | ELS9007.4110 | 169 | 90 |
| 125 | ELS9007.4125 | 178 | 90 |
| 140 | ELS9007.4140 | 194 | 96 |
| 160 | ELS9007.4160 | 213 | 106 |
| 180 | ELS9007.4180 | 224 | 106 |
| 200 | ELS9007.4200 | 151 | 118 |
| 225 | ELS9007.4225 | 267 | 121 |
| 250 | ELS9007.4250 | 294 | 132 |
| 280 | ELS9007.4280 | 335 | 143 |
| 315 | ELS9007.4315 | 149 | 153 |
| 355 | ELS9007.4355 | 378 | 171 |
| 400 | ELS9007.4400 | 419 | 188 |



Tee - Long Spigot

SDR17

| dn (mm) | Code | L (mm) | L1 (mm) | L2 (mm) | L3 (mm) |
|---------|-----------|--------|---------|---------|---------|
| 63 | TLS17063 | 221 | 64 | 64 | 114 |
| 75 | TLS17075 | 222 | 78 | 72 | 112 |
| 90 | TLS17090 | 262 | 71 | 70 | 135 |
| 110 | TLS17110 | 290 | 83 | 83 | 149 |
| 125 | TLS17125 | 325 | 84 | 84 | 160 |
| 140 | TLS17140 | 335 | 90 | 90 | 180 |
| 160 | TLS17160 | 350 | 100 | 100 | 191 |
| 180 | TLS17180 | 400 | 95 | 100 | 200 |
| 200 | TLS17200 | 449 | 112 | 112 | 216 |
| 225 | TLS17225 | 507 | 126 | 126 | 259 |
| 250 | TLS17250 | 578 | 134 | 134 | 250 |
| 280 | TLS17280 | 490 | 110 | 110 | 259 |
| 315 | TLS17315 | 699 | 152 | 152 | 345 |
| 355 | TLS17355 | 763 | 165 | 164 | 381 |
| 400 | TLS17400E | 760 | 125 | 120 | 370 |
| 450 | TLS17450E | 820 | 130 | 125 | 385 |
| 500 | TLS17500E | 845 | 135 | 135 | 415 |
| 560 | TLS17560E | 920 | 200 | 150 | 435 |
| 630 | TLS17630E | 1010 | 150 | 150 | 510 |
| 710 | TLS17710 | 1095 | 190 | 170 | 570 |
| 800 | TLS17800 | | | | |

SDR11

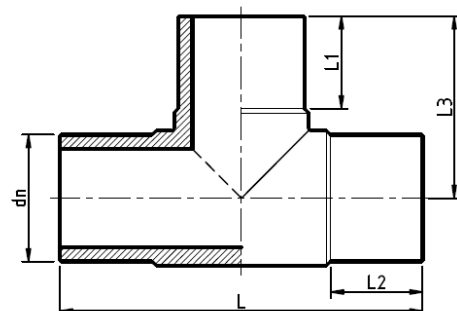
| dn (mm) | Code | L (mm) | L1 (mm) | L2 (mm) | L3 (mm) |
|---------|-----------|--------|---------|---------|---------|
| 40 | TLS11040 | 168 | 49 | 49 | 87 |
| 50 | TLS11050 | 200 | 54 | 55 | 99 |
| 63 | TLS11063 | 221 | 64 | 64 | 114 |
| 75 | TLS11075 | 222 | 78 | 72 | 112 |
| 90 | TLS11090 | 262 | 71 | 70 | 135 |
| 110 | TLS11110 | 290 | 83 | 83 | 149 |
| 125 | TLS11125 | 325 | 84 | 84 | 160 |
| 140 | TLS11140 | 335 | 90 | 90 | 180 |
| 160 | TLS11160 | 350 | 100 | 100 | 191 |
| 180 | TLS11180 | 400 | 95 | 100 | 200 |
| 200 | TLS11200 | 449 | 112 | 112 | 216 |
| 225 | TLS11225 | 507 | 126 | 126 | 259 |
| 250 | TLS11250 | 477 | 130 | 130 | 249 |
| 280 | TLS11280 | 620 | 140 | 140 | 315 |
| 315 | TLS11315 | 699 | 152 | 152 | 345 |
| 355 | TLS11355 | 763 | 165 | 164 | 381 |
| 400 | TLS11400E | 590 | 80 | 80 | 335 |
| 450 | TLS11450E | 820 | 125 | 130 | 375 |
| 500 | TLS11500E | 860 | 140 | 135 | 430 |
| 560 | TLS11560E | 880 | 205 | 140 | 530 |
| 630 | TLS11630E | 1015 | 140 | 140 | 495 |

SDR9

| dn (mm) | Code | L (mm) | L1 (mm) | L2 (mm) | L3 (mm) |
|---------|-----------|--------|---------|---------|---------|
| 63 | TLS09063 | 210 | 60 | 60 | 105 |
| 75 | TLS09075 | 260 | 70 | 70 | 130 |
| 90 | TLS09090 | 311 | 80 | 70 | 135 |
| 110 | TLS09110 | 314 | 81 | 81 | 157 |
| 125 | TLS09125 | 359 | 40 | 91 | 170 |
| 160 | TLS09160 | 400 | 100 | 100 | 200 |
| 180 | TLS09180 | 398 | 98 | 100 | 199 |
| 200 | TLS09200E | 425 | 100 | 100 | 212 |
| 225 | TLS09225E | 480 | 100 | 100 | 240 |
| 250 | TLS09250E | 515 | 105 | 105 | 255 |
| 280 | TLS09280 | 685 | 142 | 142 | 320 |
| 315 | TLS09315E | 580 | 115 | 115 | 290 |

SDR7.4

| dn (mm) | Code | L (mm) | L1 (mm) | L2 (mm) | L3 (mm) |
|---------|------------|--------|---------|---------|---------|
| 25 | TLS07.4025 | 139 | 46 | 46 | 69 |
| 32 | TLS07.4032 | 148 | 49 | 49 | 75 |
| 40 | TLS07.4040 | 175 | 57 | 57 | 87 |
| 50 | TLS07.4050 | 180 | 57 | 57 | 92 |
| 63 | TLS07.4063 | 229 | 68 | 68 | 110 |
| 75 | TLS07.4075 | 257 | 73 | 73 | 121 |
| 90 | TLS07.4090 | 303 | 83 | 83 | 138 |
| 110 | TLS07.4110 | 338 | 91 | 91 | 156 |
| 125 | TLS07.4125 | 359 | 91 | 91 | 164 |
| 140 | TLS07.4140 | 390 | 97 | 97 | 177 |
| 160 | TLS07.4160 | 425 | 105 | 105 | 195 |
| 180 | TLS07.4180 | 451 | 108 | 108 | 208 |
| 200 | TLS07.4200 | 503 | 118 | 118 | 228 |
| 225 | TLS07.4225 | 540 | 121 | 121 | 244 |
| 250 | TLS07.4250 | 596 | 132 | 132 | 267 |
| 280 | TLS07.4280 | 685 | 142 | 142 | 292 |
| 315 | TLS07.4315 | 704 | 152 | 152 | 320 |
| 355 | TLS07.4355 | 800 | 168 | 168 | 356 |
| 400 | TLS07.4400 | 880 | 180 | 180 | 390 |
| 450 | TLS07.4450 | 985 | 203 | 203 | 438 |
| 500 | TLS07.4500 | 1090 | 220 | 220 | 480 |
| 560 | TLS07.4560 | - | - | - | - |
| 630 | TLS07.4630 | - | - | - | - |

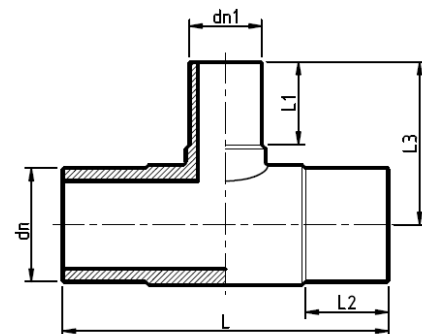


Reducing Tee - Long Spigot

SDR17

| dn (mm) | dn1 (mm) | Code | L (mm) | L1 (mm) | L2 (mm) | L3 (mm) |
|---------|----------|---------------|--------|---------|---------|---------|
| 90 | 50 | TRLS17090050 | 250 | 69 | 80 | 118 |
| 90 | 63 | TRLS17090063 | 250 | 69 | 80 | 116 |
| 90 | 75 | TRLS17090075 | 278 | 78 | 79 | 138 |
| 110 | 63 | TRLS17110063 | 259 | 68 | 83 | 135 |
| 110 | 75 | TRLS17110075 | 303 | 78 | 83 | 150 |
| 110 | 90 | TRLS17110090 | 303 | 78 | 83 | 150 |
| 125 | 90 | TRLS17125090 | 323 | 85 | 86 | 162 |
| 125 | 110 | TRLS17125110 | 335 | 85 | 87 | 161 |
| 140 | 110 | TRLS17140110 | 334 | 84 | 93 | 166 |
| 160 | 63 | TRLS17160063 | 295 | 65 | 97 | 152 |
| 160 | 75 | TRLS17160075 | 250 | 75 | 80 | 165 |
| 160 | 90 | TRLS17160090 | 353 | 84 | 98 | 175 |
| 160 | 110 | TRLS17160110 | 353 | 81 | 98 | 182 |
| 160 | 125 | TRLS17160125 | 360 | 90 | 97 | 190 |
| 180 | 63 | TRLS17180063E | 270 | 75 | 85 | 180 |
| 180 | 75 | TRLS17180075E | 270 | 75 | 85 | 180 |
| 180 | 90 | TRLS17180090E | 270 | 80 | 85 | 180 |
| 180 | 110 | TRLS17180110 | 270 | 85 | 85 | 185 |
| 180 | 160 | TRLS17180160 | 400 | 85 | 90 | 185 |
| 200 | 63 | TRLS17200063 | 364 | 85 | 114 | 196 |
| 200 | 75 | TRLS17200075E | 248 | 66 | 86 | 175 |
| 200 | 90 | TRLS17200090 | 365 | 84 | 113 | 196 |
| 200 | 110 | TRLS17200110 | 364 | 83 | 113 | 196 |
| 200 | 160 | TRLS17200160 | 429 | 97 | 119 | 230 |
| 225 | 110 | TRLS17225110 | 365 | 100 | 110 | 230 |
| 225 | 160 | TRLS17225160 | 437 | 100 | 122 | 220 |
| 225 | 200 | TRLS17225200 | 485 | 110 | 110 | 242 |
| 250 | 90 | TRLS17250090E | 365 | 100 | 110 | 245 |
| 250 | 110 | TRLS17250110 | 403 | 81 | 129 | 220 |
| 250 | 160 | TRLS17250160 | 468 | 103 | 130 | 257 |
| 250 | 200 | TRLS17250200E | 505 | 110 | 110 | 250 |
| 250 | 225 | TRLS17250225E | 438 | 100 | 85 | 221 |
| 280 | 110 | TRLS17280110E | 300 | 100 | 100 | 240 |
| 280 | 160 | TRLS17280160E | 387 | 100 | 100 | 250 |
| 280 | 200 | TRLS17280200E | 387 | 105 | 100 | 250 |
| 280 | 250 | TRLS17280250E | 530 | 105 | 110 | 260 |
| 315 | 90 | TRLS17315090E | 370 | 100 | 110 | 280 |
| 315 | 110 | TRLS17315110E | 370 | 110 | 110 | 280 |
| 315 | 160 | TRLS17315160E | 460 | 110 | 110 | 285 |
| 315 | 200 | TRLS17315200 | 589 | 105 | 144 | 289 |
| 315 | 250 | TRLS17315250E | 587 | 93 | 144 | 277 |
| 355 | 160 | TRLS17355160E | 400 | 100 | 110 | 287 |
| 355 | 200 | TRLS17355200 | 646 | 149 | 197 | 352 |
| 355 | 250 | TRLS17355250 | 634 | 164 | 166 | 368 |
| 355 | 315 | TRLS17355315E | 555 | 100 | 110 | 287 |
| 400 | 90 | TRLS17400090E | 340 | 100 | 110 | 310 |

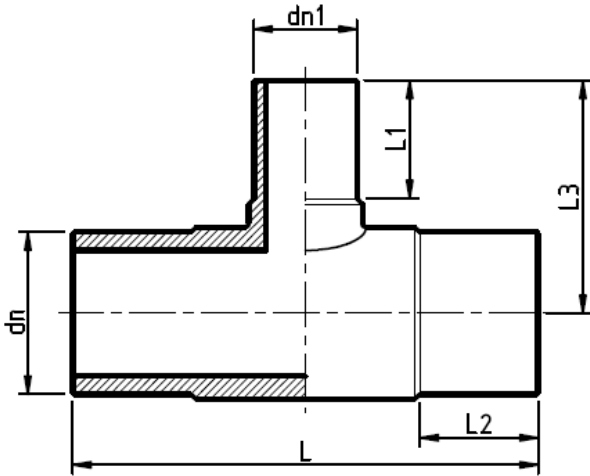
| dn (mm) | dn1 (mm) | Code | L (mm) | L1 (mm) | L2 (mm) | L3 (mm) |
|---------|----------|---------------|--------|---------|---------|---------|
| 400 | 110 | TRLS17400110E | 360 | 100 | 110 | 310 |
| 400 | 160 | TRLS17400160E | 400 | 100 | 110 | 310 |
| 400 | 200 | TRLS17400200 | 594 | 138 | 176 | 360 |
| 400 | 250 | TRLS17400250E | 594 | 126 | 138 | 360 |
| 400 | 315 | TRLS17400315E | 597 | 125 | 94 | 358 |
| 400 | 355 | TRLS17400355E | 595 | 100 | 110 | 310 |
| 450 | 110 | TRLS17450110E | 375 | 120 | 120 | 365 |
| 450 | 160 | TRLS17450160E | 464 | 120 | 130 | 365 |
| 450 | 200 | TRLS17450200E | 464 | 120 | 120 | 365 |
| 450 | 225 | TRLS17450225E | 545 | 130 | 150 | 375 |
| 450 | 250 | TRLS17450250 | 733 | 131 | 206 | 423 |
| 450 | 280 | TRLS17450280E | 600 | 140 | 140 | 385 |
| 450 | 315 | TRLS17450315E | 597 | 125 | 94 | 358 |
| 450 | 355 | TRLS17450355E | 660 | 160 | 140 | 405 |
| 450 | 400 | TRLS17450400E | 670 | 160 | 120 | 405 |
| 500 | 110 | TRLS17500110E | 398 | 135 | 130 | 420 |
| 500 | 160 | TRLS17500160E | 530 | 131 | 148 | 425 |
| 500 | 200 | TRLS17500200E | 495 | 135 | 135 | 420 |
| 500 | 225 | TRLS17500225E | 545 | 135 | 150 | 420 |
| 500 | 250 | TRLS17500250E | 614 | 128 | 150 | 432 |
| 500 | 280 | TRLS17500280E | 630 | 145 | 155 | 430 |
| 500 | 315 | TRLS17500315E | 635 | 145 | 145 | 430 |
| 500 | 355 | TRLS17500355E | 720 | 130 | 153 | 435 |
| 500 | 400 | TRLS17500400E | 705 | 160 | 140 | 445 |
| 500 | 450 | TRLS17500450E | 800 | 170 | 150 | 455 |
| 560 | 110 | TRLS17560110E | 410 | 140 | 135 | 445 |
| 560 | 160 | TRLS17560160E | 450 | 140 | 135 | 445 |
| 560 | 200 | TRLS17560200E | 508 | 140 | 135 | 445 |
| 560 | 225 | TRLS17560225E | 545 | 140 | 150 | 445 |
| 560 | 250 | TRLS17560250E | 545 | 140 | 135 | 445 |
| 560 | 280 | TRLS17560280E | 600 | 145 | 150 | 450 |
| 560 | 315 | TRLS17560315E | 605 | 145 | 135 | 450 |
| 560 | 355 | TRLS17560355E | 710 | 160 | 150 | 465 |
| 560 | 400 | TRLS17560400E | 720 | 160 | 135 | 465 |
| 560 | 450 | TRLS17560450E | 825 | 170 | 150 | 475 |
| 560 | 500 | TRLS17560500E | 825 | 170 | 140 | 475 |
| 630 | 110 | TRLS17630110E | 475 | 135 | 145 | 480 |
| 630 | 160 | TRLS17630160E | 475 | 140 | 140 | 485 |
| 630 | 200 | TRLS17630200E | 576 | 132 | 128 | 520 |
| 630 | 225 | TRLS17630225E | 555 | 145 | 150 | 490 |



Reducing Tee - Long Spigot

SDR17

| dn (mm) | dn1 (mm) | Code | L (mm) | L1 (mm) | L2 (mm) | L3 (mm) |
|---------|----------|---------------|--------|---------|---------|---------|
| 630 | 250 | TRLS17630250E | 620 | 133 | 130 | 470 |
| 630 | 280 | TRLS17630280E | 628 | 133 | 128 | 515 |
| 630 | 315 | TRLS17630315E | 783 | 131 | 131 | 525 |
| 630 | 355 | TRLS17630355E | 720 | 160 | 150 | 505 |
| 630 | 400 | TRLS17630400E | 775 | 130 | 135 | 480 |
| 630 | 450 | TRLS17630450E | 825 | 170 | 150 | 475 |
| 630 | 500 | TRLS17630500E | 808 | 180 | 140 | 525 |

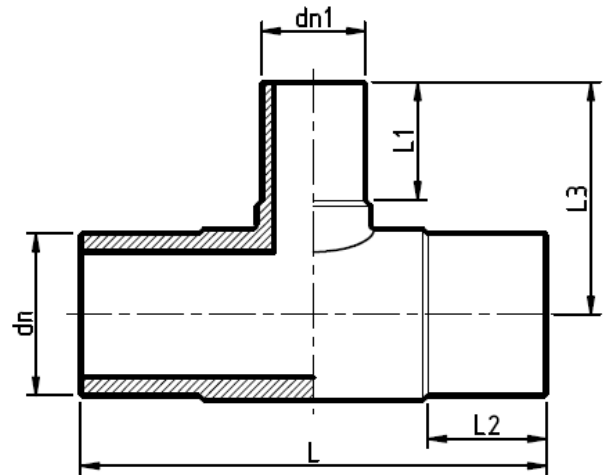


SDR11

| dn (mm) | dn1 (mm) | Code | L (mm) | L1 (mm) | L2 (mm) | L3 (mm) |
|---------|----------|---------------|--------|---------|---------|---------|
| 63 | 32 | TRLS11063032 | 200 | 50 | 63 | 93 |
| 63 | 40 | TRLS11063040 | 186 | 53 | 56 | 88 |
| 63 | 50 | TRLS11063050 | 223 | 63 | 63 | 126 |
| 75 | 40 | TRLS11075040 | 220 | 68 | 70 | 113 |
| 75 | 50 | TRLS11075050 | 220 | 68 | 70 | 108 |
| 75 | 63 | TRLS11075063 | 220 | 67 | 70 | 107 |
| 90 | 50 | TRLS11090050 | 250 | 69 | 80 | 118 |
| 90 | 63 | TRLS11090063 | 250 | 69 | 80 | 116 |
| 90 | 75 | TRLS11090075 | 278 | 78 | 79 | 138 |
| 110 | 50 | TRLS11110050 | 259 | 59 | 82 | 130 |
| 110 | 63 | TRLS11110063 | 259 | 68 | 83 | 135 |
| 110 | 75 | TRLS11110075 | 303 | 78 | 83 | 150 |
| 110 | 90 | TRLS11110090 | 303 | 78 | 83 | 150 |
| 125 | 90 | TRLS11125090 | 323 | 85 | 86 | 162 |
| 125 | 110 | TRLS11125110 | 335 | 85 | 87 | 161 |
| 140 | 110 | TRLS11140110 | 334 | 84 | 93 | 166 |
| 160 | 63 | TRLS11160063 | 300 | 62 | 99 | 152 |
| 160 | 75 | TRLS11160075E | 250 | 75 | 80 | 165 |
| 160 | 90 | TRLS11160090 | 353 | 84 | 98 | 175 |
| 160 | 110 | TRLS11160110 | 353 | 81 | 98 | 182 |
| 160 | 125 | TRLS11160125 | 380 | 100 | 98 | 190 |
| 180 | 63 | TRLS11180063E | 270 | 75 | 85 | 180 |
| 180 | 75 | TRLS11180075E | 270 | 75 | 85 | 180 |
| 180 | 90 | TRLS11180090 | 353 | 82 | 105 | 190 |
| 180 | 110 | TRLS11180110 | 355 | 85 | 107 | 190 |
| 180 | 160 | TRLS11180160 | 458 | 97 | 107 | 224 |
| 200 | 63 | TRLS11200063 | 366 | 81 | 112 | 196 |
| 200 | 75 | TRLS11200075E | 338 | 80 | 95 | 195 |
| 200 | 90 | TRLS11200090 | 365 | 84 | 113 | 196 |
| 200 | 110 | TRLS11200110 | 367 | 81 | 112 | 196 |
| 200 | 125 | TRLS11200125E | 301 | 85 | 83.5 | 190 |
| 200 | 160 | TRLS11200160 | 429 | 97 | 119 | 230 |
| 225 | 90 | TRLS11225090 | 401 | 84 | 122 | 215 |
| 225 | 110 | TRLS11225110 | 400 | 87 | 123 | 216 |
| 225 | 160 | TRLS11225160 | 435 | 100 | 122 | 220 |
| 225 | 200 | TRLS11225200E | 400 | 75 | 85 | 200 |
| 250 | 90 | TRLS11250090E | 283 | 95 | 90 | 228 |
| 250 | 110 | TRLS11250110 | 403 | 81 | 129 | 220 |
| 250 | 160 | TRLS11250160 | 472 | 102 | 129 | 257 |
| 250 | 200 | TRLS11250200E | 380 | 95 | 90 | 228 |
| 250 | 225 | TRLS11250225E | 438 | 85 | 100 | 221 |
| 280 | 110 | TRLS11280110E | 300 | 100 | 100 | 240 |
| 280 | 125 | TRLS11280125 | 504 | 92 | 142 | 407 |
| 280 | 160 | TRLS11280160 | 504 | 103 | 142 | 410 |
| 280 | 200 | TRLS11280200E | 387 | 105 | 100 | 250 |
| 280 | 250 | TRLS11280250E | 530 | 105 | 110 | 260 |
| 315 | 110 | TRLS11315110 | 525 | 85 | 150 | 280 |
| 315 | 160 | TRLS11315160 | 528 | 101 | 151 | 453 |

| dn (mm) | dn1 (mm) | Code | L (mm) | L1 (mm) | L2 (mm) | L3 (mm) |
|------------|-------------|---------------|-----------|------------|------------|------------|
| 315 | 200 | TRLS11315200E | 460 | 110 | 110 | 285 |
| 315 | 250 | TRLS11315250E | 575 | 110 | 103 | 285 |
| 355 | 110 | TRLS11355110E | 350 | 100 | 110 | 287 |
| 355 | 160 | TRLS11355160E | 400 | 100 | 110 | 287 |
| 355 | 200 | TRLS11355200E | 440 | 100 | 110 | 287 |
| 355 | 250 | TRLS11355250E | 490 | 100 | 110 | 287 |
| 355 | 315 | TRLS11355315E | 555 | 100 | 110 | 287 |
| 400 | 110 | TRLS11400110E | 360 | 100 | 110 | 310 |
| 400 | 160 | TRLS11400160E | 400 | 100 | 110 | 310 |
| 400 | 200 | TRLS11400200E | 450 | 100 | 110 | 310 |
| 400 | 250 | TRLS11400250E | 490 | 100 | 110 | 310 |
| 400 | 315 | TRLS11400315E | 555 | 100 | 110 | 310 |
| 400 | 355 | TRLS11400355E | 595 | 100 | 110 | 310 |
| 450 | 110 | TRLS11450110E | 375 | 120 | 120 | 365 |
| 450 | 160 | TRLS11450160E | 464 | 120 | 130 | 365 |
| 450 | 200 | TRLS11450200E | 464 | 120 | 120 | 365 |
| 450 | 225 | TRLS11450225E | 545 | 130 | 150 | 375 |
| 450 | 250 | TRLS11450250E | 545 | 130 | 140 | 375 |
| 450 | 280 | TRLS11450280E | 600 | 140 | 140 | 385 |
| 450 | 315 | TRLS11450315E | 600 | 140 | 140 | 385 |
| 450 | 355 | TRLS11450355E | 660 | 160 | 140 | 405 |
| 450 | 400 | TRLS11450400E | 670 | 160 | 120 | 405 |
| 500 | 110 | TRLS11500110E | 398 | 135 | 130 | 420 |
| 500 | 160 | TRLS11500160E | 495 | 135 | 140 | 420 |
| 500 | 200 | TRLS11500200E | 495 | 135 | 135 | 420 |
| 500 | 225 | TRLS11500225E | 545 | 135 | 150 | 420 |
| 500 | 250 | TRLS11500250E | 545 | 135 | 135 | 420 |
| 500 | 280 | TRLS11500280E | 630 | 145 | 155 | 430 |
| 500 | 315 | TRLS11500315E | 635 | 145 | 145 | 430 |
| 500 | 355 | TRLS11500355E | 700 | 160 | 150 | 445 |
| 500 | 400 | TRLS11500400E | 705 | 160 | 140 | 445 |
| 500 | 450 | TRLS11500450E | 800 | 170 | 150 | 455 |
| 560 | 110 | TRLS11560110E | 410 | 140 | 135 | 445 |
| 560 | 160 | TRLS11560160E | 450 | 140 | 135 | 445 |
| 560 | 200 | TRLS11560200E | 508 | 140 | 135 | 445 |
| 560 | 225 | TRLS11560225E | 545 | 140 | 150 | 445 |
| 560 | 250 | TRLS11560250E | 545 | 140 | 135 | 445 |
| 560 | 280 | TRLS11560280E | 600 | 145 | 150 | 450 |
| 560 | 315 | TRLS11560315E | 605 | 145 | 135 | 450 |
| 560 | 355 | TRLS11560355E | 710 | 160 | 150 | 465 |
| 560 | 400 | TRLS11560400E | 720 | 160 | 135 | 465 |
| 560 | 450 | TRLS11560450E | 825 | 170 | 150 | 475 |
| 560 | 500 | TRLS11560500E | 825 | 170 | 140 | 475 |
| 630 | 110 | TRLS11630110E | 475 | 135 | 145 | 480 |
| 630 | 160 | TRLS11630160E | 475 | 140 | 140 | 485 |
| 630 | 200 | TRLS11630200E | 550 | 145 | 150 | 490 |
| 630 | 225 | TRLS11630225E | 555 | 145 | 150 | 490 |
| 630 | 250 | TRLS11630250E | 555 | 145 | 140 | 490 |
| 630 | 280 | TRLS11630280E | 660 | 145 | 160 | 490 |
| 630 | 315 | TRLS11630315E | 665 | 145 | 150 | 490 |

| dn (mm) | dn1 (mm) | Code | L (mm) | L1 (mm) | L2 (mm) | L3 (mm) |
|------------|-------------|---------------|-----------|------------|------------|------------|
| 630 | 355 | TRLS11630355E | 720 | 160 | 150 | 505 |
| 630 | 400 | TRLS11630400E | 725 | 160 | 145 | 505 |
| 630 | 450 | TRLS11630450E | 800 | 180 | 150 | 525 |
| 630 | 500 | TRLS11630500E | 808 | 180 | 140 | 525 |



Concentric Reducer - Long Spigot

SDR17

| dn (mm) | dn1 (mm) | Code | L (mm) | L1 (mm) | L2 (mm) |
|---------|----------|---------------|--------|---------|---------|
| 75 | 50 | RCLS17075050 | 184 | 80 | 55 |
| 75 | 63 | RCLS17075063 | 184 | 80 | 55 |
| 90 | 50 | RCLS17090050 | 184 | 81 | 57 |
| 90 | 63 | RCLS17090063 | 136 | 64 | 60 |
| 90 | 75 | RCLS17090075 | 136 | 67 | 59 |
| 110 | 50 | RCLS17110050 | 174 | 74 | 49 |
| 110 | 63 | RCLS17110063 | 174 | 74 | 49 |
| 110 | 75 | RCLS17110075 | 186 | 83 | 75 |
| 110 | 90 | RCLS17110090 | 156 | 76 | 66 |
| 125 | 63 | RCLS17125063 | 195 | 103 | 72 |
| 125 | 75 | RCLS17125075 | 195 | 103 | 70 |
| 125 | 90 | RCLS17125090 | 198 | 105 | 79 |
| 125 | 110 | RCLS17125110 | 213 | 92 | 82 |
| 140 | 110 | RCLS17140110 | 205 | 103 | 82 |
| 160 | 63 | RCLS17160063 | 210 | 102 | 61 |
| 160 | 75 | RCLS17160075 | 200 | 98 | 70 |
| 160 | 90 | RCLS17160090 | 210 | 107 | 71 |
| 160 | 110 | RCLS17160110 | 203 | 98 | 77 |
| 160 | 125 | RCLS17160125 | 200 | 93 | 83 |
| 160 | 140 | RCLS17160140 | 200 | 93 | 90 |
| 180 | 63 | RCLS17180063E | 220 | 110 | 75 |
| 180 | 75 | RCLS17180075E | 220 | 110 | 75 |
| 180 | 90 | RCLS17180090E | 233 | 110 | 75 |
| 180 | 110 | RCLS17180110 | 233 | 110 | 92 |
| 180 | 125 | RCLS17180125 | 233 | 112 | 80 |
| 180 | 160 | RCLS17180160 | 235 | 112 | 98 |
| 200 | 63 | RCLS17200063E | 218 | 75 | 67 |
| 200 | 75 | RCLS17200075E | 218 | 75 | 75 |
| 200 | 90 | RCLS17200090E | 218 | 75 | 93 |
| 200 | 110 | RCLS17200110 | 235 | 112 | 98 |
| 200 | 125 | RCLS17200125 | 265 | 128 | 90 |
| 200 | 160 | RCLS17200160 | 291 | 125 | 96 |
| 200 | 180 | RCLS17200180 | 285 | 125 | 120 |
| 225 | 110 | RCLS17225110 | 285 | 136 | 115 |
| 225 | 160 | RCLS17225160 | 285 | 136 | 120 |
| 225 | 180 | RCLS17225180E | 227 | 95 | 102 |
| 225 | 200 | RCLS17225200 | 285 | 136 | 120 |
| 250 | 110 | RCLS17250110 | 290 | 130 | 115 |
| 250 | 125 | RCLS17250125E | 290 | 130 | 115 |
| 250 | 160 | RCLS17250160 | 290 | 130 | 98 |
| 250 | 180 | RCLS17250180 | 290 | 130 | 115 |
| 250 | 200 | RCLS17250200 | 287 | 138 | 115 |
| 250 | 225 | RCLS17250225E | 272 | 125 | 115 |
| 280 | 110 | RCLS17280110E | 300 | 140 | 120 |
| 280 | 125 | RCLS17280125E | 300 | 140 | 120 |
| 280 | 160 | RCLS17280160E | 300 | 140 | 120 |

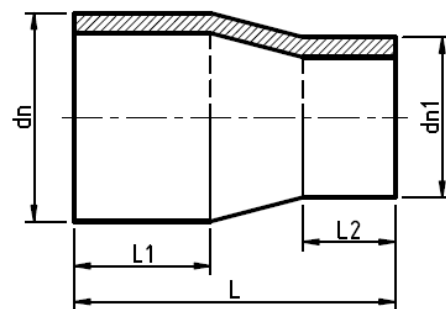
| dn (mm) | dn1 (mm) | Code | L (mm) | L1 (mm) | L2 (mm) |
|---------|----------|---------------|--------|---------|---------|
| 280 | 200 | RCLS17280200E | 300 | 140 | 120 |
| 280 | 225 | RCLS17280225 | 300 | 140 | 120 |
| 280 | 250 | RCLS17280250 | 330 | 143 | 134 |
| 315 | 110 | RCLS17315110E | 300 | 140 | 100 |
| 315 | 125 | RCLS17315125E | 300 | 140 | 100 |
| 315 | 140 | RCLS17315140E | 300 | 140 | 100 |
| 315 | 160 | RCLS17315160E | 300 | 140 | 120 |
| 315 | 180 | RCLS17315180E | 270 | 130 | 105 |
| 315 | 200 | RCLS17315200 | 320 | 158 | 120 |
| 315 | 225 | RCLS17315225 | 312 | 150 | 120 |
| 315 | 250 | RCLS17315250 | 312 | 150 | 130 |
| 315 | 280 | RCLS17315280 | 312 | 150 | 145 |
| 355 | 110 | RCLS17355110E | 400 | 150 | 100 |
| 355 | 160 | RCLS17355160E | 400 | 150 | 120 |
| 355 | 200 | RCLS17355200E | 400 | 150 | 120 |
| 355 | 225 | RCLS17355225E | 400 | 150 | 120 |
| 355 | 250 | RCLS17355250E | 400 | 150 | 170 |
| 355 | 280 | RCLS17355280E | 511 | 150 | 120 |
| 355 | 315 | RCLS17355315E | 552 | 150 | 140 |
| 400 | 160 | RCLS17400160E | 420 | 180 | 120 |
| 400 | 200 | RCLS17400200E | 420 | 180 | 120 |
| 400 | 225 | RCLS17400225E | 420 | 180 | 120 |
| 400 | 250 | RCLS17400250 | 405 | 180 | 123 |
| 400 | 280 | RCLS17400280E | 510 | 180 | 170 |
| 400 | 315 | RCLS17400315E | 515 | 180 | 160 |
| 400 | 355 | RCLS17400355E | 565 | 170 | 170 |
| 450 | 200 | RCLS17450200E | 420 | 235 | 120 |
| 450 | 225 | RCLS17450225E | 425 | 235 | 130 |
| 450 | 250 | RCLS17450250E | 460 | 235 | 170 |
| 450 | 280 | RCLS17450280E | 445 | 235 | 170 |
| 450 | 315 | RCLS17450315E | 440 | 235 | 170 |
| 450 | 355 | RCLS17450355E | 475 | 235 | 170 |
| 450 | 400 | RCLS17450400E | 460 | 220 | 200 |
| 500 | 280 | RCLS17500280E | 470 | 240 | 160 |
| 500 | 315 | RCLS17500315E | 465 | 240 | 160 |
| 500 | 355 | RCLS17500355E | 475 | 240 | 170 |
| 500 | 400 | RCLS17500400E | 495 | 240 | 200 |
| 500 | 450 | RCLS17500450E | 565 | 240 | 220 |
| 560 | 400 | RCLS17560400E | 480 | 245 | 200 |
| 560 | 450 | RCLS17560450E | 490 | 245 | 220 |
| 560 | 500 | RCLS17560500E | 530 | 245 | 270 |
| 630 | 280 | RCLS17630280E | 495 | 260 | 160 |
| 630 | 315 | RCLS17630315E | 495 | 260 | 160 |
| 630 | 355 | RCLS17630355E | 495 | 260 | 170 |
| 630 | 400 | RCLS17630400E | 515 | 260 | 200 |
| 630 | 450 | RCLS17630450E | 525 | 260 | 220 |
| 630 | 500 | RCLS17630500E | 560 | 260 | 270 |
| 630 | 560 | RCLS17630560E | 575 | 280 | 280 |
| 800 | 710 | RCLS17800710 | 620 | 300 | 300 |

Concentric Reducer - Long Spigot

SDR11

| dn (mm) | dn1 (mm) | Code | L (mm) | L1 (mm) | L2 (mm) |
|---------|----------|---------------|--------|---------|---------|
| 63 | 50 | RCLS11063050 | 109 | 49 | 51 |
| 75 | 50 | RCLS11075050 | 184 | 80 | 55 |
| 75 | 63 | RCLS11075063 | 184 | 80 | 55 |
| 90 | 50 | RCLS11090050 | 184 | 81 | 57 |
| 90 | 63 | RCLS11090063 | 130 | 67 | 59 |
| 90 | 75 | RCLS11090075 | 136 | 67 | 59 |
| 110 | 50 | RCLS11110050 | 174 | 74 | 49 |
| 110 | 63 | RCLS11110063 | 174 | 74 | 49 |
| 110 | 75 | RCLS11110075 | 156 | 75 | 65 |
| 110 | 90 | RCLS11110090 | 156 | 76 | 66 |
| 125 | 63 | RCLS11125063 | 195 | 103 | 72 |
| 125 | 75 | RCLS11125075 | 180 | 97 | 69 |
| 125 | 90 | RCLS11125090 | 194 | 95 | 80 |
| 125 | 110 | RCLS11125110 | 198 | 95 | 88 |
| 140 | 110 | RCLS11140110 | 205 | 103 | 82 |
| 160 | 63 | RCLS11160063 | 210 | 102 | 61 |
| 160 | 75 | RCLS11160075 | 200 | 92 | 92 |
| 160 | 90 | RCLS11160090 | 210 | 107 | 71 |
| 160 | 110 | RCLS11160110 | 203 | 98 | 77 |
| 160 | 125 | RCLS11160125 | 218 | 112 | 87 |
| 160 | 140 | RCLS11160140 | 200 | 92 | 92 |
| 180 | 63 | RCLS11180063E | 220 | 110 | 75 |
| 180 | 75 | RCLS11180075E | 220 | 110 | 75 |
| 180 | 90 | RCLS11180090E | 230 | 110 | 75 |
| 180 | 110 | RCLS11180110 | 215 | 102 | 65 |
| 180 | 125 | RCLS11180125 | 220 | 100 | 75 |
| 180 | 160 | RCLS11180160 | 235 | 112 | 98 |
| 200 | 63 | RCLS11200063E | 235 | 112 | 98 |
| 200 | 75 | RCLS11200075E | 235 | 112 | 98 |
| 200 | 90 | RCLS11200090E | 235 | 112 | 98 |
| 200 | 110 | RCLS11200110 | 284 | 117 | 114 |
| 200 | 125 | RCLS11200125 | 265 | 128 | 90 |
| 200 | 160 | RCLS11200160 | 291 | 125 | 96 |
| 200 | 180 | RCLS11200180 | 285 | 125 | 120 |
| 225 | 110 | RCLS11225110 | 285 | 136 | 115 |
| 225 | 125 | RCLS11225125 | 285 | 136 | 115 |
| 225 | 160 | RCLS11225160 | 285 | 136 | 120 |
| 225 | 180 | RCLS11225180E | 285 | 136 | 120 |
| 225 | 200 | RCLS11225200 | 285 | 136 | 120 |
| 250 | 110 | RCLS11250110 | 290 | 130 | 100 |
| 250 | 125 | RCLS11250125E | 240 | 130 | 100 |
| 250 | 160 | RCLS11250160 | 290 | 130 | 107 |
| 250 | 180 | RCLS11250180 | 290 | 130 | 115 |
| 250 | 200 | RCLS11250200 | 284 | 132 | 120 |
| 250 | 225 | RCLS11250225E | 280 | 130 | 115 |
| 280 | 110 | RCLS11280110E | 300 | 140 | 120 |

| dn (mm) | dn1 (mm) | Code | L (mm) | L1 (mm) | L2 (mm) |
|---------|----------|---------------|--------|---------|---------|
| 280 | 125 | RCLS11280125E | 300 | 140 | 120 |
| 280 | 160 | RCLS11280160E | 300 | 140 | 120 |
| 280 | 180 | RCLS11280180E | 300 | 140 | 120 |
| 280 | 200 | RCLS11280200E | 300 | 140 | 120 |
| 280 | 225 | RCLS11280225E | 300 | 140 | 120 |
| 280 | 250 | RCLS11280250 | 330 | 143 | 134 |
| 315 | 110 | RCLS11315110E | 300 | 140 | 100 |
| 315 | 125 | RCLS11315125E | 300 | 140 | 100 |
| 315 | 140 | RCLS11315140E | 300 | 140 | 100 |
| 315 | 160 | RCLS11315160E | 300 | 140 | 120 |
| 315 | 180 | RCLS11315180E | 270 | 130 | 105 |
| 315 | 200 | RCLS11315200 | 320 | 158 | 120 |
| 315 | 225 | RCLS11315225E | 312 | 150 | 120 |
| 315 | 250 | RCLS11315250E | 312 | 150 | 130 |
| 315 | 280 | RCLS11315280E | 312 | 150 | 145 |
| 355 | 110 | RCLS11355110E | 400 | 150 | 100 |
| 355 | 160 | RCLS11355160E | 400 | 150 | 120 |
| 355 | 200 | RCLS11355200E | 400 | 150 | 120 |
| 355 | 225 | RCLS11355225E | 400 | 150 | 120 |
| 355 | 250 | RCLS11355250E | 400 | 150 | 170 |
| 355 | 280 | RCLS11355280E | 511 | 150 | 120 |
| 355 | 315 | RCLS11355315E | 552 | 150 | 140 |
| 400 | 160 | RCLS11400160E | 420 | 180 | 120 |
| 400 | 180 | RCLS11400180E | 420 | 180 | 120 |
| 400 | 200 | RCLS11400200E | 420 | 180 | 120 |
| 400 | 225 | RCLS11400225E | 405 | 180 | 123 |
| 400 | 250 | RCLS11400250E | 510 | 180 | 170 |
| 400 | 280 | RCLS11400280E | 515 | 180 | 160 |
| 400 | 315 | RCLS11400315E | 565 | 170 | 170 |
| 400 | 355 | RCLS11400355E | 420 | 235 | 120 |



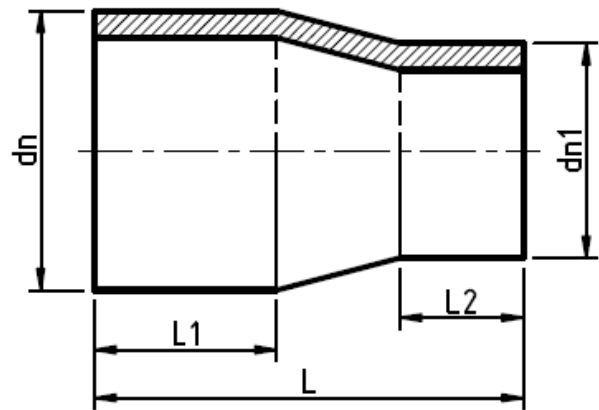
Concentric Reducer - Long Spigot

SDR11

| dn (mm) | dn1 (mm) | Code | L (mm) | L1 (mm) | L2 (mm) |
|---------|----------|---------------|--------|---------|---------|
| 450 | 200 | RCLS11450200E | 420 | 235 | 120 |
| 450 | 225 | RCLS11450225E | 425 | 235 | 130 |
| 450 | 250 | RCLS11450250E | 460 | 235 | 170 |
| 450 | 280 | RCLS11450280E | 445 | 235 | 170 |
| 450 | 315 | RCLS11450315E | 440 | 235 | 170 |
| 450 | 355 | RCLS11450355E | 475 | 235 | 170 |
| 450 | 400 | RCLS11450400E | 460 | 220 | 200 |
| 500 | 200 | RCLS11500200E | 470 | 235 | 120 |
| 500 | 225 | RCLS11500225E | 470 | 235 | 130 |
| 500 | 250 | RCLS11500250E | 470 | 235 | 160 |
| 500 | 280 | RCLS11500280E | 470 | 240 | 160 |
| 500 | 315 | RCLS11500315E | 465 | 240 | 160 |
| 500 | 355 | RCLS11500355E | 475 | 240 | 170 |
| 500 | 400 | RCLS11500400E | 495 | 240 | 200 |
| 500 | 450 | RCLS11500450E | 565 | 240 | 220 |
| 560 | 280 | RCLS11560280E | 490 | 240 | 160 |
| 560 | 315 | RCLS11560315E | 490 | 240 | 160 |
| 560 | 355 | RCLS11560355E | 490 | 240 | 170 |
| 560 | 400 | RCLS11560400E | 480 | 245 | 200 |
| 560 | 450 | RCLS11560450E | 490 | 245 | 220 |
| 560 | 500 | RCLS11560500E | 530 | 245 | 270 |
| 630 | 280 | RCLS11630280E | 495 | 260 | 160 |
| 630 | 315 | RCLS11630315E | 495 | 260 | 160 |
| 630 | 355 | RCLS11630355E | 495 | 260 | 170 |
| 630 | 400 | RCLS11630400E | 515 | 260 | 200 |
| 630 | 450 | RCLS11630450E | 525 | 260 | 220 |
| 630 | 500 | RCLS11630500E | 560 | 260 | 270 |
| 630 | 560 | RCLS11630560E | 575 | 280 | 280 |

SDR9

| dn (mm) | dn1 (mm) | Code | L (mm) | L1 (mm) | L2 (mm) |
|---------|----------|--------------|--------|---------|---------|
| 90 | 63 | RCLS09090063 | 145 | 75 | 55 |
| 90 | 75 | RCLS09090075 | 145 | 75 | 60 |
| 110 | 90 | RCLS09110090 | 160 | 78 | 75 |



End Cap - Long Spigot

SDR17

| dn (mm) | Code | L (mm) | L1 (mm) |
|---------|-------------|--------|---------|
| 63 | ECLS17063 | 67 | 54 |
| 75 | ECLS17075 | 72 | 54 |
| 90 | ECLS17090 | 87 | 70 |
| 110 | ECLS17110 | 99 | 78 |
| 125 | ECLS17125 | 114 | 84 |
| 140 | ECLS17140 | 126 | 94 |
| 160 | ECLS17160 | 125 | 94 |
| 180 | ECLS17180 | 146 | 107 |
| 200 | ECLS17200 | 129 | 97 |
| 225 | ECLS17225 | 142 | 106 |
| 250 | ECLS17250E | 160 | 120 |
| 280 | ECLS17280E | 160 | 120 |
| 315 | ECLS17315E | 180 | 140 |
| 355 | ECLS17355E | 200 | 160 |
| 400 | ECLS17400E | 220 | 180 |
| 450 | ECLS17450E | 240 | 200 |
| 500 | ECLS17500E | 240 | 200 |
| 560 | ECLS17560E | 280 | 240 |
| 630 | ECLS17630E | 300 | 260 |
| 710 | ECLS17710E | 310 | 270 |
| 800 | ECLS17800E | 310 | 270 |
| 900 | ECLS17900E | 320 | 280 |
| 1000 | ECLS171000E | 330 | 290 |

SDR7.4

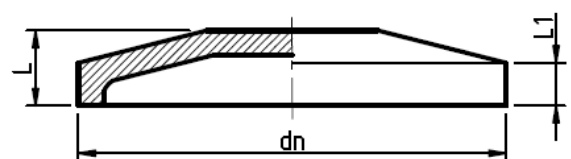
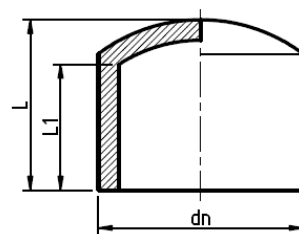
| dn (mm) | Code | L (mm) | L1 (mm) |
|---------|-------------|--------|---------|
| 25 | ECLS07.4025 | - | - |
| 32 | ECLS07.4032 | - | - |
| 40 | ECLS07.4040 | 64 | 58 |
| 50 | ECLS07.4050 | 72 | 58 |
| 63 | ECLS07.4063 | 82 | 67 |
| 75 | ECLS07.4075 | 87 | 80 |
| 90 | ECLS07.4090 | 102 | 81 |
| 110 | ECLS07.4110 | 104 | 97 |
| 125 | ECLS07.4125 | 110 | 90 |
| 140 | ECLS07.4140 | 114 | 103 |
| 160 | ECLS07.4160 | 130 | 122 |
| 180 | ECLS07.4180 | 122 | 104 |
| 200 | ECLS07.4200 | 157 | 128 |
| 225 | ECLS07.4225 | 142 | 117 |
| 250 | ECLS07.4250 | 145 | 117 |
| 280 | ECLS07.4280 | 154 | 135 |
| 315 | ECLS07.4315 | 199 | 155 |

SDR11

| dn (mm) | Code | L (mm) | L1 (mm) |
|---------|------------|--------|---------|
| 25 | ECLS11025 | 38 | 30 |
| 32 | ECLS11032 | 47 | 39 |
| 40 | ECLS11040 | 54 | 45 |
| 50 | ECLS11050 | 63 | 54 |
| 63 | ECLS11063 | 67 | 54 |
| 75 | ECLS11075 | 72 | 54 |
| 90 | ECLS11090 | 87 | 70 |
| 110 | ECLS11110 | 99 | 78 |
| 125 | ECLS11125 | 114 | 84 |
| 140 | ECLS11140 | 126 | 94 |
| 160 | ECLS11160 | 125 | 94 |
| 180 | ECLS11180 | 146 | 107 |
| 200 | ECLS11200 | 129 | 97 |
| 225 | ECLS11225 | 142 | 106 |
| 250 | ECLS11250E | 160 | 120 |
| 280 | ECLS11280E | 160 | 120 |
| 315 | ECLS11315E | 180 | 140 |
| 355 | ECLS11355 | 200 | 167 |
| 400 | ECLS11400E | 220 | 180 |
| 450 | ECLS11450E | 240 | 200 |
| 500 | ECLS11500E | 240 | 200 |
| 560 | ECLS11560E | 280 | 240 |
| 630 | ECLS11630E | 300 | 260 |
| 710 | ECLS11710E | 310 | 270 |
| 800 | ECLS11800E | 310 | 270 |

SDR9

| dn (mm) | Code | L (mm) | L1 (mm) |
|---------|------------|--------|---------|
| 160 | ECLS09160 | 120 | 145 |
| 200 | ECLS09200E | 245 | 220 |



Moulded 45° Y Junction - Long Spigot

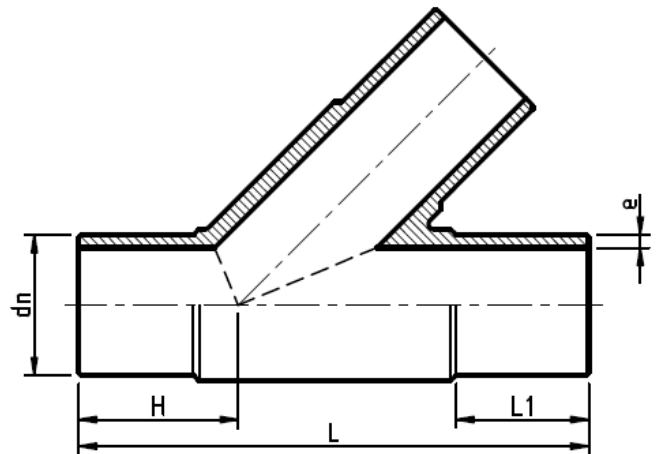
SDR17

| dn (mm) | Code | e (mm) | L (mm) | L1 (mm) | H (mm) |
|---------|----------|--------|--------|---------|--------|
| 110 | J4517110 | 6.6 | 400 | 90 | 130 |
| 125 | J4517125 | 7.4 | 420 | 95 | 135 |
| 160 | J4517160 | 9.5 | 485 | 105 | 150 |
| 200 | J4517200 | 11.9 | 605 | 115 | 180 |
| 225 | J4517225 | 13.4 | 700 | 125 | 200 |
| 250 | J4517250 | 14.8 | 700 | 125 | 200 |
| 315 | J4517315 | 18.7 | 850 | 150 | 235 |



SDR11

| dn (mm) | Code | e (mm) | L (mm) | L1 (mm) | L2 (mm) |
|---------|----------|--------|--------|---------|---------|
| 63 | J4511063 | 5.8 | 230 | 58 | 85 |
| 75 | J4511075 | 6.8 | 280 | 68 | 90 |
| 90 | J4511090 | 8.2 | 315 | 70 | 100 |
| 110 | J4511110 | 10 | 400 | 90 | 130 |
| 125 | J4511125 | 11.4 | 420 | 95 | 135 |
| 160 | J4511160 | 14.6 | 485 | 105 | 150 |
| 200 | J4511200 | 18.2 | 605 | 115 | 180 |
| 225 | J4511225 | 20.5 | 700 | 125 | 200 |
| 250 | J4511250 | 22.7 | 700 | 125 | 200 |
| 315 | J4511315 | 28.6 | 850 | 150 | 235 |



1.5D 90° Sweep Bend

SDR17

| dn (mm) | Code | e (mm) | L (mm) | L1 (mm) |
|---------|----------------|--------|--------|---------|
| 50 | BSW1.59017050 | 3 | 80 | 195 |
| 63 | BSW1.59017063 | 3.8 | 90 | 220 |
| 75 | BSW1.59017075 | 4.5 | 100 | 238 |
| 90 | BSW1.59017090 | 5.4 | 100 | 280 |
| 110 | BSW1.59017110 | 6.6 | 120 | 340 |
| 125 | BSW1.59017125 | 7.4 | 150 | 363 |
| 140 | BSW1.59017140 | 8.3 | 150 | 385 |
| 160 | BSW1.59017160 | 9.5 | 150 | 415 |
| 180 | BSW1.59017180 | 10.7 | 150 | 445 |
| 200 | BSW1.59017200 | 11.9 | 150 | 475 |
| 225 | BSW1.59017225 | 13.4 | 150 | 513 |
| 250 | BSW1.59017250 | 14.8 | 250 | 650 |
| 280 | BSW1.59017280 | 16.6 | 250 | 695 |
| 315 | BSW1.59017315 | 18.7 | 250 | 803 |
| 355 | BSW1.59017355 | 21.1 | 300 | 900 |
| 400 | BSW1.59017400 | 23.7 | 300 | 980 |
| 450 | BSW1.59017450 | 26.7 | 300 | 1070 |
| 500 | BSW1.59017500 | 29.7 | 350 | 1200 |
| 560 | BSW1.59017560 | 33.2 | 350 | 1290 |
| 630 | BSW1.59017630 | 37.4 | 350 | 1400 |
| 710 | BSW1.59017710 | 42.1 | 400 | 1415 |
| 800 | BSW1.59017800 | 47.4 | 400 | 1550 |
| 900 | BSW1.59017900 | 53.3 | 450 | 1750 |
| 1000 | BSW1.590171000 | 59.3 | 450 | 1900 |

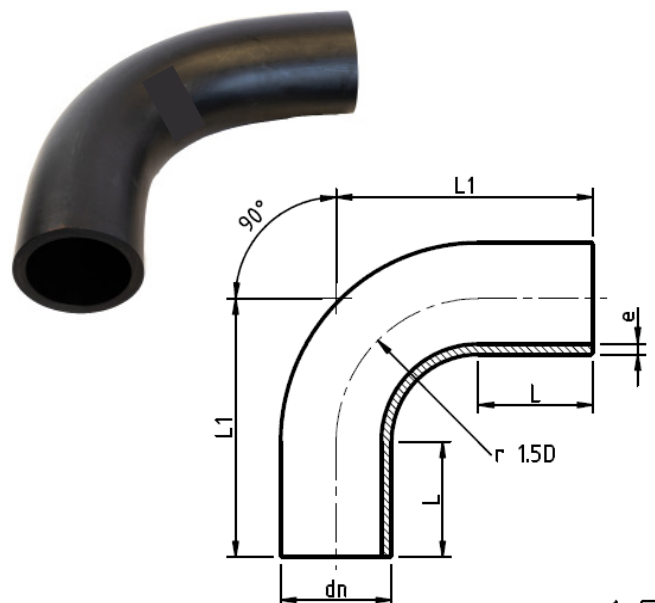
SDR11

| dn (mm) | Code | e (mm) | L (mm) | L1 (mm) |
|---------|---------------|--------|--------|---------|
| 32 | BSW1.59011032 | 2.9 | 70 | 133 |
| 40 | BSW1.59011040 | 3.7 | 75 | 150 |
| 50 | BSW1.59011050 | 4.6 | 80 | 185 |
| 63 | BSW1.59011063 | 5.8 | 90 | 220 |
| 75 | BSW1.59011075 | 6.8 | 100 | 238 |
| 90 | BSW1.59011090 | 8.2 | 100 | 310 |
| 110 | BSW1.59011110 | 10 | 120 | 315 |
| 125 | BSW1.59011125 | 11.4 | 150 | 363 |
| 140 | BSW1.59011140 | 12.7 | 150 | 385 |
| 160 | BSW1.59011160 | 14.6 | 150 | 415 |
| 180 | BSW1.59011180 | 16.4 | 150 | 445 |
| 200 | BSW1.59011200 | 18.2 | 150 | 475 |
| 225 | BSW1.59011225 | 20.5 | 150 | 513 |
| 250 | BSW1.59011250 | 22.7 | 250 | 650 |
| 280 | BSW1.59011280 | 25.4 | 250 | 695 |
| 315 | BSW1.59011315 | 28.6 | 250 | 803 |
| 355 | BSW1.59011355 | 32.2 | 300 | 900 |
| 400 | BSW1.59011400 | 36.3 | 300 | 980 |
| 450 | BSW1.59011450 | 40.9 | 300 | 1070 |
| 500 | BSW1.59011500 | 45.4 | 350 | 1200 |
| 560 | BSW1.59011560 | 50.8 | 350 | 1290 |
| 630 | BSW1.59011630 | 57.2 | 350 | 1400 |
| 710 | BSW1.59011710 | 64.5 | 400 | 1415 |
| 800 | BSW1.59011800 | 72.6 | 400 | 1550 |

SDR7.4

| dn (mm) | Code | e (mm) | L (mm) | L1 (mm) |
|---------|-----------------|--------|--------|---------|
| 110 | BSW1.59007.4110 | 15.1 | 150 | 340 |
| 160 | BSW1.59007.4160 | 21.9 | 150 | 415 |
| 225 | BSW1.59007.4225 | 30.8 | 150 | 513 |
| 315 | BSW1.59007.4315 | 43.1 | 250 | 803 |

2.5-3.0D Sweep Bends are also available upon request.



1.5D

1.5D 60° Sweep Bend

SDR17

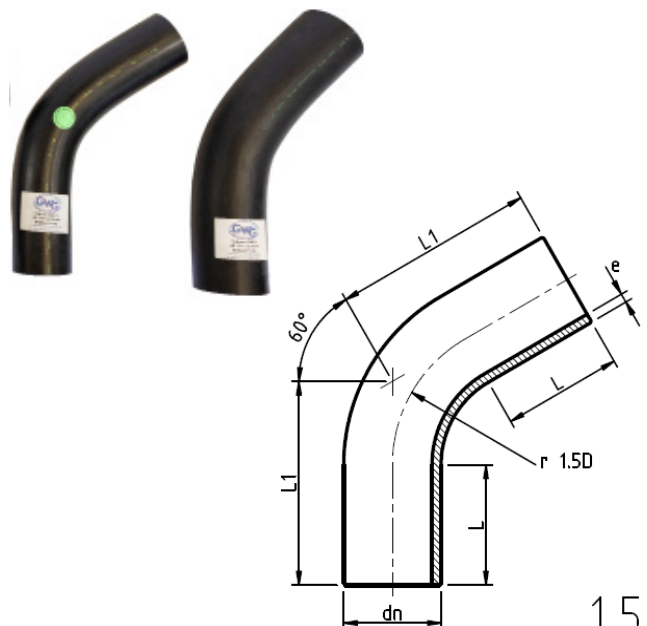
| dn (mm) | Code | e (mm) | L (mm) | L1 (mm) |
|---------|----------------|--------|--------|---------|
| 50 | BSW1.56017050 | 3 | 80 | 158 |
| 63 | BSW1.56017063 | 3.8 | 90 | 173 |
| 75 | BSW1.56017075 | 4.5 | 100 | 182 |
| 90 | BSW1.56017090 | 5.4 | 100 | 213 |
| 110 | BSW1.56017110 | 6.6 | 120 | 270 |
| 125 | BSW1.56017125 | 7.4 | 150 | 283 |
| 140 | BSW1.56017140 | 8.3 | 150 | 296 |
| 160 | BSW1.56017160 | 9.5 | 150 | 313 |
| 180 | BSW1.56017180 | 10.7 | 150 | 330 |
| 200 | BSW1.56017200 | 11.9 | 150 | 348 |
| 225 | BSW1.56017225 | 13.4 | 150 | 370 |
| 250 | BSW1.56017250 | 14.8 | 250 | 500 |
| 280 | BSW1.56017280 | 16.6 | 250 | 530 |
| 315 | BSW1.56017315 | 18.7 | 250 | 612 |
| 355 | BSW1.56017355 | 21.1 | 300 | 690 |
| 400 | BSW1.56017400 | 23.7 | 300 | 730 |
| 450 | BSW1.56017450 | 26.7 | 300 | 780 |
| 500 | BSW1.56017500 | 29.7 | 350 | 880 |
| 560 | BSW1.56017560 | 33.2 | 350 | 930 |
| 630 | BSW1.56017630 | 37.4 | 350 | 1000 |
| 710 | BSW1.56017710 | 42.1 | 400 | 1150 |
| 800 | BSW1.56017800 | 47.4 | 400 | 1250 |
| 900 | BSW1.56017900 | 53.3 | 450 | 1450 |
| 1000 | BSW1.560171000 | 59.3 | 450 | 1600 |

SDR11

| dn (mm) | Code | e (mm) | L (mm) | L1 (mm) |
|---------|---------------|--------|--------|---------|
| 32 | BSW1.56011032 | 2.9 | 70 | 113 |
| 40 | BSW1.56011040 | 3.7 | 75 | 125 |
| 50 | BSW1.56011050 | 4.6 | 80 | 158 |
| 63 | BSW1.56011063 | 5.8 | 90 | 173 |
| 75 | BSW1.56011075 | 6.8 | 100 | 182 |
| 90 | BSW1.56011090 | 8.2 | 100 | 243 |
| 110 | BSW1.56011110 | 10 | 120 | 270 |
| 125 | BSW1.56011125 | 11.4 | 150 | 283 |
| 140 | BSW1.56011140 | 12.7 | 150 | 296 |
| 160 | BSW1.56011160 | 14.6 | 150 | 313 |
| 180 | BSW1.56011180 | 16.4 | 150 | 330 |
| 200 | BSW1.56011200 | 18.2 | 150 | 348 |
| 225 | BSW1.56011225 | 20.5 | 150 | 370 |
| 250 | BSW1.56011250 | 22.7 | 250 | 500 |
| 280 | BSW1.56011280 | 25.4 | 250 | 530 |
| 315 | BSW1.56011315 | 28.6 | 250 | 612 |
| 355 | BSW1.56011355 | 32.2 | 300 | 690 |
| 400 | BSW1.56011400 | 36.3 | 300 | 730 |
| 450 | BSW1.56011450 | 40.9 | 300 | 780 |
| 500 | BSW1.56011500 | 45.4 | 350 | 880 |
| 560 | BSW1.56011560 | 50.8 | 350 | 930 |
| 630 | BSW1.56011630 | 57.2 | 350 | 1000 |
| 710 | BSW1.56011710 | 64.5 | 400 | 1150 |
| 800 | BSW1.56011800 | 72.6 | 400 | 1250 |

SDR7.4

| dn (mm) | Code | e (mm) | L (mm) | L1 (mm) |
|---------|-----------------|--------|--------|---------|
| 110 | BSW1.56007.4110 | 15.1 | 150 | 270 |
| 160 | BSW1.56007.4160 | 21.9 | 150 | 313 |
| 225 | BSW1.56007.4225 | 30.8 | 150 | 370 |
| 315 | BSW1.56007.4315 | 43.1 | 250 | 612 |



1.5D

1.5D 45° Sweep Bend

SDR17

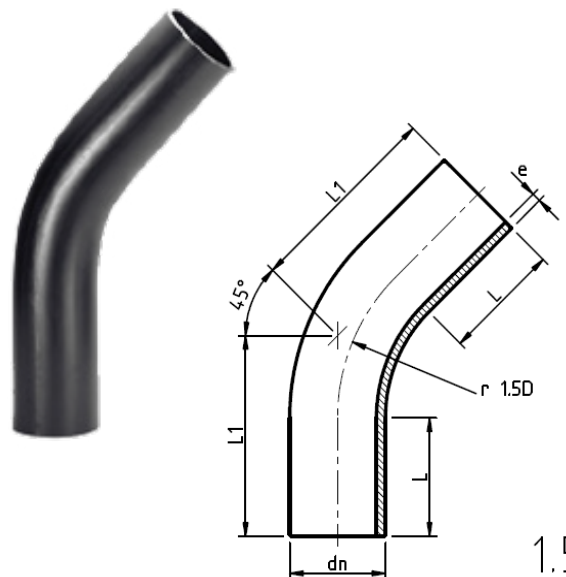
| dn (mm) | Code | e (mm) | L (mm) | L1 (mm) |
|---------|---------------|--------|--------|---------|
| 50 | BSW1.54517050 | 3 | 80 | 149 |
| 63 | BSW1.54517063 | 3.8 | 90 | 161 |
| 75 | BSW1.54517075 | 4.5 | 100 | 168 |
| 90 | BSW1.54517090 | 5.4 | 100 | 197 |
| 110 | BSW1.54517110 | 6.6 | 120 | 243 |
| 125 | BSW1.54517125 | 7.4 | 150 | 253 |
| 140 | BSW1.54517140 | 8.3 | 150 | 262 |
| 160 | BSW1.54517160 | 9.5 | 150 | 274 |
| 180 | BSW1.54517180 | 10.7 | 150 | 287 |
| 200 | BSW1.54517200 | 11.9 | 150 | 299 |
| 225 | BSW1.54517225 | 13.4 | 150 | 315 |
| 250 | BSW1.54517250 | 14.8 | 250 | 440 |
| 280 | BSW1.54517280 | 16.6 | 250 | 460 |
| 315 | BSW1.54517315 | 18.7 | 250 | 535 |
| 355 | BSW1.54517355 | 21.1 | 300 | 620 |
| 400 | BSW1.54517400 | 23.7 | 300 | 650 |
| 450 | BSW1.54517450 | 26.7 | 300 | 680 |
| 500 | BSW1.54517500 | 29.7 | 350 | 760 |
| 560 | BSW1.54517560 | 33.2 | 350 | 800 |
| 630 | BSW1.54517630 | 37.4 | 350 | 870 |
| 710 | BSW1.54517710 | 42.1 | 400 | 900 |
| 800 | BSW1.54517800 | 47.4 | 400 | 950 |

SDR7.4

| dn (mm) | Code | e (mm) | L (mm) | L1 (mm) |
|---------|-----------------|--------|--------|---------|
| 110 | BSW1.54507.4110 | 15.1 | 150 | 243 |
| 160 | BSW1.54507.4160 | 21.9 | 150 | 274 |
| 225 | BSW1.54507.4225 | 30.8 | 150 | 315 |
| 315 | BSW1.54507.4315 | 43.1 | 250 | 535 |

SDR11

| dn (mm) | Code | e (mm) | L (mm) | L1 (mm) |
|---------|---------------|--------|--------|---------|
| 32 | BSW1.54511032 | 2.9 | 70 | 105 |
| 40 | BSW1.54511040 | 3.7 | 75 | 110 |
| 50 | BSW1.54511050 | 4.6 | 80 | 139 |
| 63 | BSW1.54511063 | 5.8 | 90 | 161 |
| 75 | BSW1.54511075 | 6.8 | 100 | 168 |
| 90 | BSW1.54511090 | 8.2 | 100 | 227 |
| 110 | BSW1.54511110 | 10 | 120 | 255 |
| 125 | BSW1.54511125 | 11.4 | 150 | 253 |
| 140 | BSW1.54511140 | 12.7 | 150 | 262 |
| 160 | BSW1.54511160 | 14.6 | 150 | 274 |
| 180 | BSW1.54511180 | 16.4 | 150 | 287 |
| 200 | BSW1.54511200 | 18.2 | 150 | 299 |
| 225 | BSW1.54511225 | 20.5 | 150 | 315 |
| 250 | BSW1.54511250 | 22.7 | 250 | 440 |
| 280 | BSW1.54511280 | 25.4 | 250 | 460 |
| 315 | BSW1.54511315 | 28.6 | 250 | 535 |
| 355 | BSW1.54511355 | 32.2 | 300 | 620 |
| 400 | BSW1.54511400 | 36.3 | 300 | 650 |
| 450 | BSW1.54511450 | 40.9 | 300 | 680 |
| 500 | BSW1.54511500 | 45.4 | 350 | 760 |
| 560 | BSW1.54511560 | 50.8 | 350 | 800 |
| 630 | BSW1.54511630 | 57.2 | 350 | 870 |
| 710 | BSW1.54511710 | 64.5 | 400 | 900 |
| 800 | BSW1.54511800 | 72.6 | 400 | 950 |



1.5D

1.5D 30° Sweep Bend

SDR17

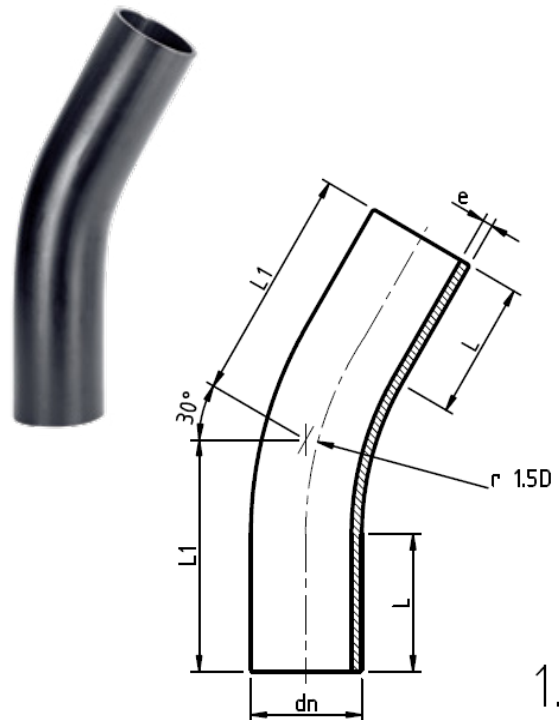
| dn (mm) | Code | e (mm) | L (mm) | L1 (mm) |
|---------|----------------|--------|--------|---------|
| 50 | BSW1.53017050 | 3 | 80 | 140 |
| 63 | BSW1.53017063 | 3.8 | 90 | 150 |
| 75 | BSW1.53017075 | 4.5 | 100 | 155 |
| 90 | BSW1.53017090 | 5.4 | 100 | 180 |
| 110 | BSW1.53017110 | 6.6 | 120 | 219 |
| 125 | BSW1.53017125 | 7.4 | 150 | 225 |
| 140 | BSW1.53017140 | 8.3 | 150 | 231 |
| 160 | BSW1.53017160 | 9.5 | 150 | 239 |
| 180 | BSW1.53017180 | 10.7 | 150 | 247 |
| 200 | BSW1.53017200 | 11.9 | 150 | 255 |
| 225 | BSW1.53017225 | 13.4 | 150 | 266 |
| 250 | BSW1.53017250 | 14.8 | 250 | 385 |
| 280 | BSW1.53017280 | 16.6 | 250 | 400 |
| 315 | BSW1.53017315 | 18.7 | 250 | 460 |
| 355 | BSW1.53017355 | 21.1 | 300 | 540 |
| 400 | BSW1.53017400 | 23.7 | 300 | 560 |
| 450 | BSW1.53017450 | 26.7 | 300 | 580 |
| 500 | BSW1.53017500 | 29.7 | 350 | 650 |
| 560 | BSW1.53017560 | 33.2 | 350 | 680 |
| 630 | BSW1.53017630 | 37.4 | 350 | 730 |
| 710 | BSW1.53017710 | 42.1 | 400 | 900 |
| 800 | BSW1.53017800 | 47.4 | 400 | 950 |
| 900 | BSW1.53017900 | 53.3 | 450 | 1150 |
| 1000 | BSW1.530171000 | 59.3 | 450 | 1200 |

SDR11

| dn (mm) | Code | e (mm) | L (mm) | L1 (mm) |
|---------|---------------|--------|--------|---------|
| 32 | BSW1.53011032 | 2.9 | 70 | 98 |
| 40 | BSW1.53011040 | 3.7 | 75 | 106 |
| 50 | BSW1.53011050 | 4.6 | 80 | 130 |
| 63 | BSW1.53011063 | 5.8 | 90 | 150 |
| 75 | BSW1.53011075 | 6.8 | 100 | 155 |
| 90 | BSW1.53011090 | 8.2 | 100 | 210 |
| 110 | BSW1.53011110 | 10 | 120 | 234 |
| 125 | BSW1.53011125 | 11.4 | 150 | 225 |
| 140 | BSW1.53011140 | 12.7 | 150 | 231 |
| 160 | BSW1.53011160 | 14.6 | 150 | 239 |
| 180 | BSW1.53011180 | 16.4 | 150 | 247 |
| 200 | BSW1.53011200 | 18.2 | 150 | 255 |
| 225 | BSW1.53011225 | 20.5 | 150 | 266 |
| 250 | BSW1.53011250 | 22.7 | 250 | 385 |
| 280 | BSW1.53011280 | 25.4 | 250 | 400 |
| 315 | BSW1.53011315 | 28.6 | 250 | 460 |
| 355 | BSW1.53011355 | 32.2 | 300 | 540 |
| 400 | BSW1.53011400 | 36.3 | 300 | 560 |
| 450 | BSW1.53011450 | 40.9 | 300 | 580 |
| 500 | BSW1.53011500 | 45.4 | 350 | 650 |
| 560 | BSW1.53011560 | 50.8 | 350 | 680 |
| 630 | BSW1.53011630 | 57.2 | 350 | 730 |

SDR7.4

| dn (mm) | Code | e (mm) | L (mm) | L1 (mm) |
|---------|-----------------|--------|--------|---------|
| 110 | BSW1.53007.4110 | 15.1 | 150 | 219 |
| 160 | BSW1.53007.4160 | 21.9 | 150 | 239 |
| 225 | BSW1.53007.4225 | 30.8 | 150 | 266 |
| 315 | BSW1.53007.4315 | 43.1 | 250 | 460 |

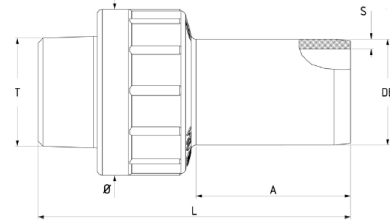


1.5D

Threaded Adaptors

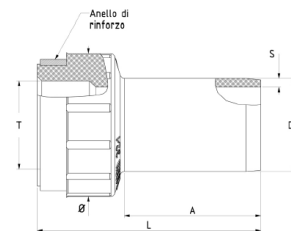
Male Poly 

| Code | DE (mm) | Ø (mm) | L (mm) | A (mm) | S (mm) | T (inch) | Weight (kg) |
|---------------|---------|--------|--------|--------|--------|----------|-------------|
| TAMP020X1/2 | 20 | 40 | 85 | 41 | 3.00 | R 1/2" | 0.04 |
| TAMP025X3/4 | 25 | 45 | 88 | 44 | 3.00 | R 3/4" | 0.04 |
| TAMP032X1 | 32 | 50 | 95 | 47 | 3.00 | R 1" | 0.06 |
| TAMP040X1 1/4 | 40 | 65 | 105 | 56 | 3.70 | R 1 1/4" | 0.10 |
| TAMP050X1 1/2 | 50 | 75 | 110 | 57 | 4.60 | R 1 1/2" | 0.13 |
| TAMP063X2 | 63 | 85 | 125 | 63 | 5.80 | R 2" | 0.21 |
| TAMP075X2 1/2 | 75 | 110 | 136 | 70 | 6.80 | R 2 1/2" | 0.34 |
| TAMP090X3 | 90 | 125 | 155 | 78 | 8.20 | R 3" | 0.49 |
| TAMP110X4 | 110 | 155 | 170 | 87 | 10.00 | R 4" | 0.90 |
| TAMP125X4 | 125 | 155 | 170 | 92 | 11.40 | R 4" | 0.94 |



Female Poly 

| Code | DE (mm) | Ø (mm) | L (mm) | A (mm) | S (mm) | T (inch) | Weight (kg) |
|---------------|---------|--------|--------|--------|--------|----------|-------------|
| TAFP020X1/2 | 20 | 40 | 70 | 41 | 3.00 | R 1/2" | 0.03 |
| TAFP025X3/4 | 25 | 45 | 70 | 44 | 3.00 | R 3/4" | 0.03 |
| TAFP032X1 | 32 | 50 | 75 | 47 | 3.00 | R 1" | 0.04 |
| TAFP040X1 1/4 | 40 | 65 | 85 | 56 | 3.70 | R 1 1/4" | 0.07 |
| TAFP050X1 1/2 | 50 | 75 | 85 | 57 | 4.60 | R 1 1/2" | 0.09 |
| TAFP063X2 | 63 | 85 | 100 | 63 | 5.80 | R 2" | 0.18 |
| TAFP075X2 1/2 | 75 | 110 | 110 | 70 | 6.80 | R 2 1/2" | 0.25 |
| TAFP090X3 | 90 | 125 | 120 | 78 | 8.20 | R 3" | 0.40 |
| TAFP110X4 | 110 | 155 | 135 | 87 | 10.00 | R 4" | 0.60 |
| TAFP125X4 | 125 | 155 | 135 | 92 | 11.40 | R 4" | 0.67 |



Male Brass

| Size (mm) | Code | Z (mm) | L (mm) |
|---------------|---------------|--------|--------|
| 20mm x 1/2" | TAMB020X1/2 | 41 | 80 |
| 25mm x 3/4" | TAMB025X3/4 | 44 | 80 |
| 32mm x 1" | TAMB032X1 | 47 | 90 |
| 40mm x 1" | TAMB040X1 | 56 | 90 |
| 40mm x 1 1/4" | TAMB040X1 1/4 | 56 | 100 |
| 40mm x 1 1/2" | TAMB040X1 1/2 | 56 | 100 |
| 50mm x 1 1/2" | TAMB050X1 1/2 | 57 | 100 |
| 50mm x 2" | TAMB050X2 | 57 | 115 |
| 63mm x 1 1/2" | TAMB063X1 1/2 | 63 | 115 |
| 63mm x 2" | TAMB063X2 | 63 | 120 |
| 75mm x 2 1/2" | TAMB075X2 1/2 | 70 | 130 |
| 90mm x 3" | TAMB090X3 | 78 | 145 |
| 110mm x 4" | TAMB110X4 | 87 | 160 |
| 125mm x 4" | TAMB125X4 | 92 | 160 |

Female Brass

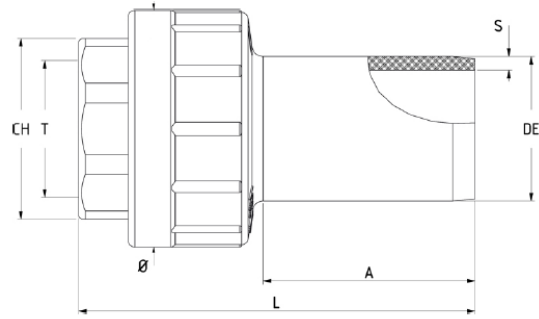
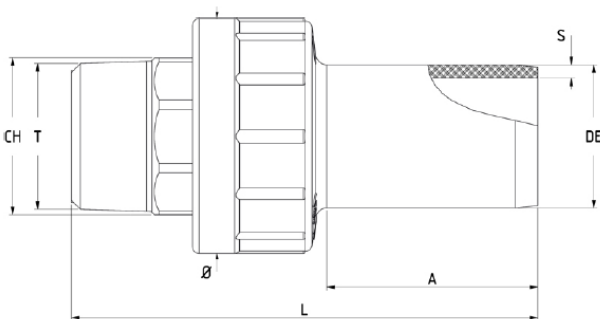
| Size (mm) | Code | Z (mm) | L (mm) |
|---------------|---------------|--------|--------|
| 20mm x 1/2" | TAFB020X1/2 | 41 | 95 |
| 25mm x 3/4" | TAFB025X3/4 | 44 | 90 |
| 32mm x 1" | TAFB032X1 | 56 | 105 |
| 32mm x 1 1/4" | TAFB032X1 1/4 | 56 | 105 |
| 40mm x 1 1/4" | TAFB040X1 1/4 | 56 | 120 |
| 40mm x 1 1/2" | TAFB040X1 1/2 | 56 | 120 |
| 50mm x 1" | TAFB050X1 | 57 | 115 |
| 50mm x 1 1/2" | TAFB050X1 1/2 | 57 | 125 |
| 50mm x 2" | TAFB050X2 | 57 | 130 |
| 63mm x 1 1/2" | TAFB063X1 1/2 | 63 | 135 |
| 63mm x 2" | TAFB063X2 | 63 | 140 |
| 75mm x 2" | TAFB075X2 | 70 | 145 |
| 75mm x 2 1/2" | TAFB075X2 1/2 | 70 | 155 |
| 90mm x 3" | TAFB090X3 | 78 | 170 |
| 110mm x 4" | TAFB110X4 | 87 | 200 |
| 125mm x 4" | TAFB125X4 | 92 | 200 |



Poly Fittings - Threaded Adaptors

Male 316 Stainless Steel

| Code | DE (mm) | DN (inch) | DN (mm) | Ø (mm) | L (mm) | A (mm) | S (mm) | CH (mm) | T (inch) | Weight (kg) |
|--------------|---------|-----------|---------|--------|--------|--------|--------|---------|----------|-------------|
| TAMS20X1/2 | 20 | 1/2" | 15 | 40 | 95 | 41 | 3.00 | 22 | R 1/2" | 0.10 |
| TAMS025X3/4 | 25 | 3/4" | 20 | 45 | 90 | 44 | 3.00 | 28 | R 3/4" | 0.15 |
| TAMS032X1 | 32 | 1" | 25 | 55 | 105 | 47 | 3.00 | 35 | R 1" | 0.25 |
| TAMS040X11/4 | 40 | 1 1/4" | 32 | 65 | 120 | 56 | 3.70 | 44 | R 1 1/4" | 0.40 |
| TAMS040X11/2 | 40 | 1 1/2" | 40 | 75 | 120 | 56 | 3.70 | 50 | R 1 1/2" | 0.48 |
| TAMS050X11/2 | 50 | 1 1/2" | 40 | 75 | 125 | 57 | 4.60 | 50 | R 1 1/2" | 0.52 |
| TAMS050X2 | 50 | 2" | 50 | 85 | 130 | 57 | 4.60 | 62 | R 2" | 0.70 |
| TAMS063X11/2 | 63 | 1 1/2" | 40 | 85 | 135 | 63 | 5.80 | 50 | R 1 1/2" | 0.62 |
| TAMS063X2 | 63 | 2" | 50 | 85 | 140 | 63 | 5.80 | 62 | R 2" | 0.73 |
| TAMS075X2 | 75 | 2" | 50 | 110 | 145 | 70 | 6.80 | 62 | R 2" | 0.80 |
| TAMS075X21/2 | 75 | 2 1/2" | 65 | 110 | 155 | 70 | 6.80 | 77 | R 2 1/2" | 1.20 |
| TAMS090X3 | 90 | 3" | 80 | 125 | 170 | 78 | 8.20 | 90 | R 3" | 1.60 |
| TAMS110X4 | 110 | 4" | 100 | 155 | 200 | 87 | 10.00 | 115 | R 4" | 2.90 |
| TAMS125X4 | 125 | 4" | 100 | 155 | 200 | 92 | 11.40 | 115 | R 4" | 2.90 |



Female 316 Stainless Steel

| Code | DE (mm) | DN (inch) | DN (mm) | Ø (mm) | L (mm) | A (mm) | S (mm) | CH (mm) | T (inch) | Weight (kg) |
|--------------|---------|-----------|---------|--------|--------|--------|--------|---------|----------|-------------|
| TAFS020X1/2 | 20 | 1/2" | 15 | 40 | 80 | 41 | 3.00 | 26 | R 1/2" | 0.08 |
| TAFS025X3/4 | 25 | 3/4" | 20 | 45 | 80 | 44 | 3.00 | 32 | R 3/4" | 0.12 |
| TAFS032X1 | 32 | 1" | 25 | 55 | 90 | 47 | 3.00 | 40 | R 1" | 0.20 |
| TAFS040X11/4 | 40 | 1 1/4" | 32 | 65 | 100 | 56 | 3.70 | 49 | R 1 1/4" | 0.30 |
| TAFS040X11/2 | 40 | 1 1/2" | 40 | 75 | 100 | 56 | 3.70 | 55 | R 1 1/2" | 0.32 |
| TAFS050X11/2 | 50 | 1 1/2" | 40 | 75 | 100 | 57 | 4.60 | 55 | R 1 1/2" | 0.35 |
| TAFS050X2 | 50 | 2" | 50 | 85 | 115 | 57 | 4.60 | 67 | R 2" | 0.52 |
| TAFS063X11/2 | 63 | 1 1/2" | 40 | 85 | 115 | 63 | 5.80 | 55 | R 1 1/2" | 0.45 |
| TAFS063X2 | 63 | 2" | 50 | 85 | 120 | 63 | 5.80 | 67 | R 2" | 0.58 |
| TAFS075X21/2 | 75 | 2 1/2" | 65 | 110 | 130 | 70 | 6.80 | 82 | R 2 1/2" | 0.75 |
| TAFS090X3 | 90 | 3" | 80 | 125 | 145 | 78 | 8.20 | 94 | R 3" | 1.00 |
| TAFS110X4 | 110 | 4" | 100 | 155 | 160 | 87 | 10.00 | 120 | R 4" | 1.90 |
| TAFS125X4 | 125 | 4" | 100 | 155 | 160 | 92 | 11.4 | 120 | R 4" | 2.00 |

Electrofusion Fittings



Our electrofusion fittings represent the highest quality and excellence in electrofusion production throughout the world. PlastItalia fittings are WSA approved and suitable for water, gas and industrial fluids. Our extensive range includes couplers, tees, reducing tees, elbows, reducers and tapping saddles. Sizes range from 20mm - 1200mm.



PE100 black
 Working voltage 39.5 - 48V
 Injection moulded
 Suitable for piping systems for:


- Water distribution (UNI EN 12201 - ISO 4427) up to PN25 bar
- Industrial applications (UNI EN ISO 15494)
- Distribution of fuel gas (UNI EN 1555 - ISO 4437)


Electrofusion Fittings

Electrofusion products symbols reference:

 Item for drinking water application

 Item for industrial application

 Item for fuel gas application

 Item for fuel gas application



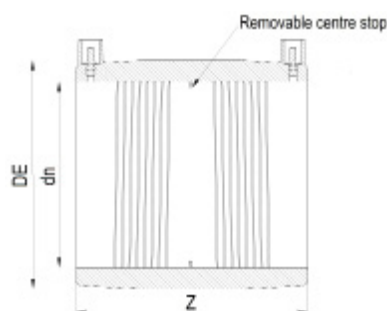
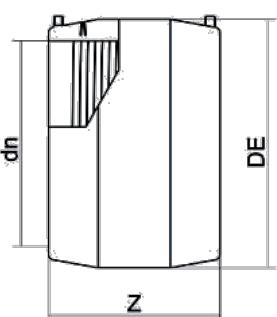
Electrofusion Coupler

SDR26   

| dn (mm) | Code | DE (mm) | Z (mm) | Weight (kg) |
|---------|-----------|---------|--------|-------------|
| 110 | EFC26110 | 129 | 150 | 0.29 |
| 125 | EFC26125 | 155 | 160 | 0.48 |
| 140 | EFC26140 | 173 | 172 | 0.88 |
| 160 | EFC26160 | 185 | 184 | 1.14 |
| 180 | EFC26180 | 220 | 190 | 1 |
| 200 | EFC26200 | 229 | 209 | 2.02 |
| 225 | EFC26225 | 258 | 226 | 1.73 |
| 250 | EFC26250 | 288 | 246 | 2.37 |
| 280 | EFC26280 | 323 | 231 | 3.32 |
| 315 | EFC26315 | 360 | 251 | 3.57 |
| 355 | EFC26355 | 406 | 289 | 5.04 |
| 400 | EFC26400 | 462 | 304 | 7.79 |
| 450 | EFC26450 | 513 | 387 | 11.78 |
| 500 | EFC26500 | 570 | 385 | 20.25 |
| 560 | EFC26560 | 635 | 455 | 25.5 |
| 630 | EFC26630 | 690 | 439 | 24.5 |
| 710 | EFC26710 | 776 | 450 | 32.65 |
| 800 | EFC26800 | 872 | 455 | 39.2 |
| 900 | EFC26900 | 982 | 500 | 59 |
| 1000 | EFC261000 | 1096 | 500 | 71 |

SDR17    

| dn (mm) | Code | DE (mm) | Z (mm) | Weight (kg) |
|---------|-----------|---------|--------|-------------|
| 90 | EFC17090 | 106 | 130 | 0.29 |
| 110 | EFC17110 | 129 | 150 | 0.48 |
| 125 | EFC17125 | 155 | 156 | 0.88 |
| 140 | EFC17140 | 173 | 172 | 1.14 |
| 160 | EFC17160 | 185 | 184 | 1 |
| 180 | EFC17180 | 220 | 190 | 2.02 |
| 200 | EFC17200 | 229 | 209 | 1.73 |
| 225 | EFC17225 | 259 | 226 | 2.37 |
| 250 | EFC17250 | 288 | 246 | 3.32 |
| 280 | EFC17280 | 323 | 231 | 3.57 |
| 315 | EFC17315 | 360 | 251 | 5.04 |
| 355 | EFC17355 | 406 | 289 | 7.79 |
| 400 | EFC17400 | 462 | 304 | 11.75 |
| 450 | EFC17450 | 508 | 382 | 14 |
| 500 | EFC17500 | 570 | 386 | 20.25 |
| 560 | EFC17560 | 642 | 455 | 25.5 |
| 630 | EFC17630 | 718 | 502 | 35.3 |
| 710 | EFC17710 | 814 | 500 | 55.6 |
| 800 | EFC17800 | 916 | 500 | 80.2 |
| 900 | EFC17900 | 1030 | 520 | 82.2 |
| 1000 | EFC171000 | 1144 | 536 | 105 |



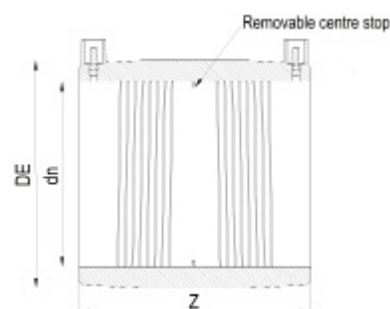
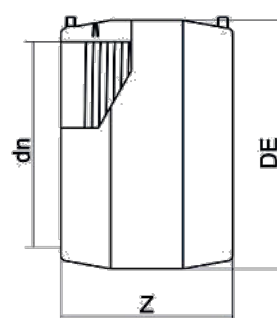
Electrofusion Coupler

SDR11    

| dn (mm) | Code | DE (mm) | Z (mm) | Weight (kg) |
|---------|----------|---------|--------|-------------|
| 20 | EFC11020 | 29 | 70 | 0.03 |
| 25 | EFC11025 | 34 | 74 | 0.44 |
| 32 | EFC11032 | 44 | 85 | 0.07 |
| 40 | EFC11040 | 54 | 92 | 0.1 |
| 50 | EFC11050 | 66 | 97 | 0.14 |
| 63 | EFC11063 | 78 | 113 | 0.18 |
| 75 | EFC11075 | 95 | 120 | 0.27 |
| 90 | EFC11090 | 112 | 129 | 0.39 |
| 110 | EFC11110 | 136 | 150 | 0.62 |
| 125 | EFC11125 | 155 | 160 | 0.88 |
| 140 | EFC11140 | 173 | 170 | 1.14 |
| 160 | EFC11160 | 197 | 185 | 1.52 |
| 180 | EFC11180 | 220 | 190 | 2.02 |
| 200 | EFC11200 | 246 | 210 | 2.82 |
| 225 | EFC11225 | 277 | 226 | 3.57 |
| 250 | EFC11250 | 310 | 245 | 4.85 |
| 280 | EFC11280 | 345 | 250 | 6.85 |
| 315 | EFC11315 | 390 | 265 | 8.79 |
| 355 | EFC11355 | 438 | 302 | 13.22 |
| 400 | EFC11400 | 495 | 355 | 18.9 |
| 450 | EFC11450 | 554 | 425 | 26.47 |
| 500 | EFC11500 | 610 | 460 | 34 |
| 560 | EFC11560 | 696 | 500 | 54.38 |
| 630 | EFC11630 | 780 | 505 | 65.1 |
| 710 | EFC11710 | 868 | 530 | 76 |
| 800 | EFC11800 | 975 | 520 | 96 |
| 900 | EFC11900 | 1120 | 552 | 161 |

SDR7.4   

| dn (mm) | Code | DE (mm) | Z (mm) | Weight (kg) |
|---------|------------|---------|--------|-------------|
| 32 | EFC07.4032 | 44 | 85 | 0.07 |
| 40 | EFC07.4040 | 54 | 94 | 0.11 |
| 50 | EFC07.4050 | 68 | 99 | 0.16 |
| 63 | EFC07.4063 | 88 | 115 | 0.31 |
| 75 | EFC07.4075 | 106 | 120 | 0.46 |
| 90 | EFC07.4090 | 125 | 132 | 0.46 |
| 110 | EFC07.4110 | 145 | 150 | 0.94 |
| 125 | EFC07.4125 | 174 | 166 | 1.54 |
| 140 | EFC07.4140 | 193 | 170 | 2.06 |
| 160 | EFC07.4160 | 220 | 202 | 2.78 |
| 180 | EFC07.4180 | 244 | 200 | 3.36 |
| 200 | EFC07.4200 | 276 | 232 | 4.6 |
| 225 | EFC07.4225 | 305 | 252 | 7.14 |
| 250 | EFC07.4250 | 341 | 266 | 8.62 |
| 280 | EFC07.4280 | 388 | 272 | 12.81 |
| 315 | EFC07.4315 | 435 | 302 | 18.56 |
| 355 | EFC07.4355 | 495 | 358 | 28.9 |
| 400 | EFC07.4400 | 574 | 385 | 43 |
| 450 | EFC07.4450 | 635 | 455 | 36.3 |
| 500 | EFC07.4500 | 678 | 450 | 59 |



Electrofusion 90° Elbow

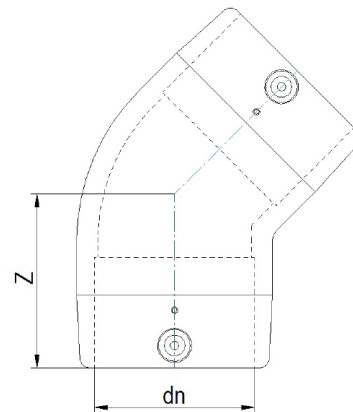
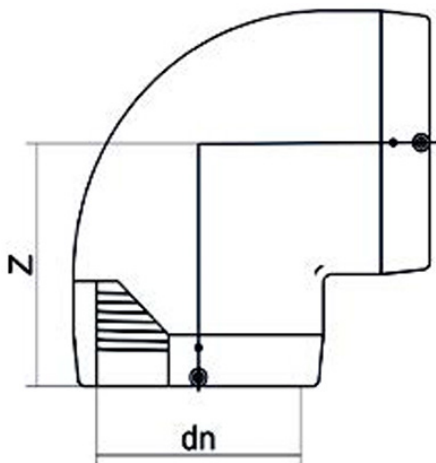
SDR11    

| dn (mm) | Code | Z (mm) | Weight (kg) |
|---------|------------|--------|-------------|
| 20 | EFE9011020 | 63 | 0.15 |
| 25 | EFE9011025 | 60 | 0.7 |
| 32 | EFE9011032 | 57 | 0.1 |
| 40 | EFE9011040 | 68 | 0.16 |
| 50 | EFE9011050 | 78 | 0.2 |
| 63 | EFE9011063 | 94 | 0.31 |
| 75 | EFE9011075 | 103 | 0.49 |
| 90 | EFE9011090 | 116 | 0.75 |
| 110 | EFE9011110 | 141 | 1.36 |
| 125 | EFE9011125 | 155 | 1.81 |
| 140 | EFE9011140 | 167 | 2.54 |
| 160 | EFE9011160 | 181 | 3.67 |
| 180 | EFE9011180 | 219 | 5.66 |
| 200 | EFE9011200 | 241 | 7.8 |
| 225 | EFE9011225 | 259 | 10.28 |
| 250 | EFE9011250 | 316 | 12.59 |
| 315 | EFE9011315 | 383 | 23.46 |

Electrofusion 45° Elbow

SDR11    

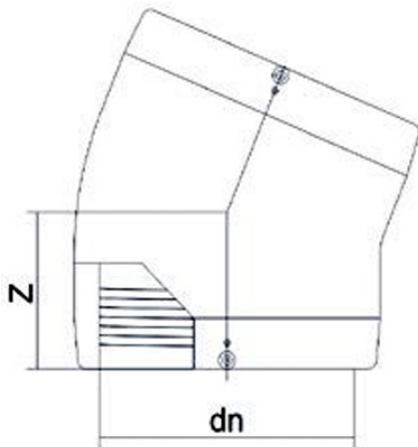
| dn (mm) | Code | Z (mm) | Weight (kg) |
|---------|------------|--------|-------------|
| 20 | EFE4511020 | 52 | 0.04 |
| 25 | EFE4511025 | 53 | 0.05 |
| 32 | EFE4511032 | 49 | 0.08 |
| 40 | EFE4511040 | 52 | 0.1 |
| 50 | EFE4511050 | 57 | 0.13 |
| 63 | EFE4511063 | 65 | 0.22 |
| 75 | EFE4511075 | 71 | 0.33 |
| 90 | EFE4511090 | 82 | 0.53 |
| 110 | EFE4511110 | 115 | 1.09 |
| 125 | EFE4511125 | 120 | 1.53 |
| 140 | EFE4511140 | 127 | 2.25 |
| 160 | EFE4511160 | 137 | 2.85 |
| 180 | EFE4511180 | 160 | 4.05 |
| 200 | EFE4511200 | 182 | 5.55 |
| 225 | EFE4511225 | 203 | 7.75 |
| 250 | EFE4511250 | 237 | 10.96 |
| 315 | EFE4511315 | 275 | 18.72 |



Electrofusion 22.5° Elbow

SDR11    

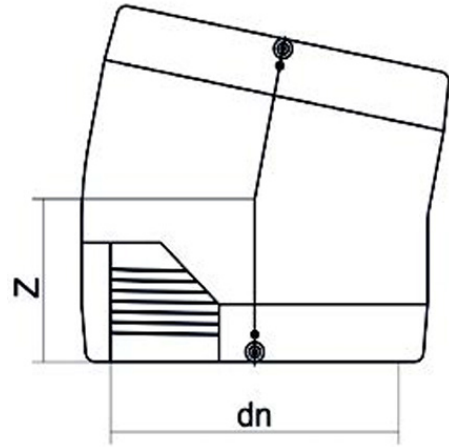
| dn (mm) | Code | Z (mm) | Weight (kg) |
|---------|--------------|--------|-------------|
| 90 | EFE22.511090 | 95 | 0.66 |
| 125 | EFE22.511125 | 110 | 1.46 |
| 180 | EFE22.511180 | 140 | 3.84 |
| 250 | EFE22.511250 | 160 | 6.16 |
| 315 | EFE22.511315 | 185 | 12.06 |



Electrofusion 11.25° Elbow

SDR11    

| dn (mm) | Code | Z (mm) | Weight (kg) |
|---------|---------------|--------|-------------|
| 90 | EFE11.2511090 | 86 | 0.66 |
| 125 | EFE11.2511125 | 110 | 1.46 |
| 180 | EFE11.2511180 | 140 | 3.64 |
| 250 | EFE11.2511250 | 160 | 5.09 |
| 315 | EFE11.2511315 | 185 | 9.95 |



GWG WELDING WIPES
 These specialised moist wipes are impregnated with a high specification solution containing 90% V/V Isopropyl Alcohol.

Ensure surfaces are clean before butt or electrofusion jointing (scraping of pipe surface is still required). 75 sheets per canister.

Electrofusion Tee

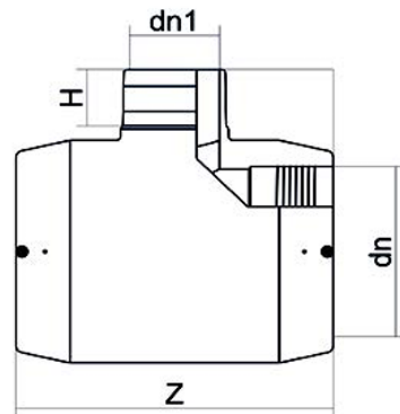
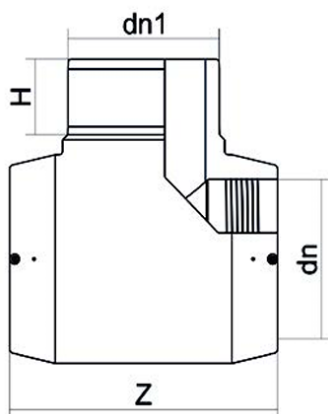
SDR11 

| dn (mm) | Code | H (mm) | Z (mm) | Weight (kg) |
|---------|----------|--------|--------|-------------|
| 20 | EFT11020 | 65 | 98 | 0.06 |
| 25 | EFT11025 | 65 | 98 | 0.08 |
| 32 | EFT11032 | 50 | 116 | 0.1 |
| 40 | EFT11040 | 56 | 130 | 0.15 |
| 50 | EFT11050 | 56 | 149 | 0.24 |
| 63 | EFT11063 | 69 | 175 | 0.46 |
| 75 | EFT11075 | 69 | 188 | 0.64 |
| 90 | EFT11090 | 84 | 211 | 1.03 |
| 110 | EFT11110 | 90 | 250 | 1.8 |
| 125 | EFT11125 | 90 | 265 | 2.42 |
| 140 | EFT11140 | 91 | 292 | 3.06 |
| 160 | EFT11160 | 100 | 319 | 4.53 |
| 180 | EFT11180 | 105 | 355 | 5.98 |
| 200 | EFT11200 | 115 | 415 | 8.45 |
| 225 | EFT11225 | 115 | 415 | 11.03 |
| 250 | EFT11250 | 133 | 478 | 17 |
| 315 | EFT11315 | 153 | 560 | 30.34 |

Electrofusion Reducing Tee

SDR11 

| dn (mm) | dn1 (mm) | Code | H (mm) | Z (mm) | Weight (kg) |
|---------|----------|--------------|--------|--------|-------------|
| 90 | 63 | EFTR11090063 | 65 | 211 | 0.92 |
| 90 | 75 | EFTR11090075 | 67 | 211 | 0.98 |
| 110 | 63 | EFTR11110063 | 67 | 249 | 1.48 |
| 125 | 63 | EFTR11125063 | 65 | 265 | 2.08 |
| 125 | 90 | EFTR11125090 | 81 | 265 | 2.18 |
| 140 | 110 | EFTR11140110 | 84 | 292 | 2.82 |
| 160 | 110 | EFTR11160110 | 88 | 319 | 4.17 |
| 180 | 90 | EFTR11180090 | 85 | 336 | 5.38 |
| 180 | 125 | EFTR11180125 | 93 | 336 | 5.48 |
| 200 | 90 | EFTR11200090 | 83 | 415 | 7.56 |
| 200 | 125 | EFTR11200125 | 88 | 415 | 7.73 |
| 200 | 180 | EFTR11200180 | 107 | 415 | 7.96 |
| 225 | 110 | EFTR11225110 | 89 | 415 | 10 |
| 225 | 160 | EFTR11225160 | 100 | 415 | 10.38 |
| 250 | 125 | EFTR11250125 | 93 | 478 | 14.95 |
| 250 | 180 | EFTR11250180 | 110 | 478 | 15.58 |
| 315 | 125 | EFTR11315125 | 93 | 560 | 25.72 |
| 315 | 180 | EFTR11315180 | 110 | 560 | 27.42 |



Electrofusion Reducer

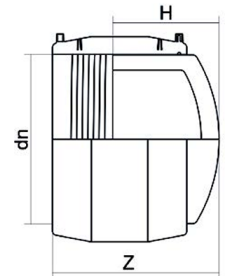
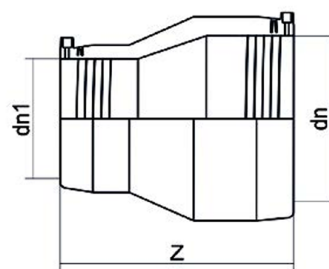
SDR11    

| dn (mm) | dn1 (mm) | Code | Z (mm) | Weight (kg) |
|---------|----------|--------------|--------|-------------|
| 25 | 20 | EFCR11025020 | 77 | 0.04 |
| 32 | 20 | EFCR11032020 | 85 | 0.077 |
| 32 | 25 | EFCR11032025 | 77 | 0.05 |
| 40 | 20 | EFCR11040020 | 120 | 0.09 |
| 40 | 25 | EFCR11040025 | 109 | 0.11 |
| 40 | 32 | EFCR11040032 | 95 | 0.012 |
| 50 | 25 | EFCR11050025 | 120 | 0.13 |
| 50 | 32 | EFCR11050032 | 100 | 0.14 |
| 50 | 40 | EFCR11050040 | 103 | 0.17 |
| 63 | 25 | EFCR11063025 | 145 | 0.17 |
| 63 | 32 | EFCR11063032 | 118 | 0.2 |
| 63 | 40 | EFCR11063040 | 118 | 0.22 |
| 63 | 50 | EFCR11063050 | 118 | 0.23 |
| 75 | 50 | EFCR11075050 | 142 | 0.38 |
| 75 | 63 | EFCR11075063 | 143 | 0.31 |
| 90 | 50 | EFCR11090050 | 179 | 0.45 |
| 90 | 63 | EFCR11090063 | 162 | 0.45 |
| 90 | 75 | EFCR11090075 | 148 | 0.43 |
| 110 | 63 | EFCR11110063 | 210 | 0.76 |
| 110 | 75 | EFCR11110075 | 186 | 0.73 |
| 110 | 90 | EFCR11110090 | 178 | 0.78 |
| 125 | 63 | EFCR11125063 | 226 | 1 |
| 125 | 90 | EFCR11125090 | 194 | 1.04 |
| 125 | 110 | EFCR11125110 | 179 | 1.04 |
| 140 | 90 | EFCR11140090 | 212 | 1.3 |
| 160 | 90 | EFCR11160090 | 251 | 1.78 |
| 160 | 110 | EFCR11160110 | 243 | 1.95 |
| 160 | 125 | EFCR11160125 | 244 | 2 |
| 180 | 90 | EFCR11180090 | 289 | 2.5 |
| 180 | 125 | EFCR11180125 | 244 | 2.43 |
| 180 | 140 | EFCR11180140 | 246 | 2.59 |
| 180 | 160 | EFCR11180160 | 230 | 2.62 |
| 200 | 160 | EFCR11200160 | 275 | 3.6 |
| 200 | 180 | EFCR11200180 | 246 | 3.36 |
| 225 | 160 | EFCR11225160 | 314 | 5.7 |
| 250 | 180 | EFCR11250180 | 318 | 6.2 |
| 315 | 200 | EFCR11315200 | 414 | 11.6 |
| 315 | 250 | EFCR11315250 | 382 | - |
| 315 | 250 | EFCR11315250 | - | - |

Electrofusion End Cap

SDR11    

| dn (mm) | Code | H (mm) | Z (mm) | Weight (kg) |
|---------|------------|--------|--------|-------------|
| 20 | EFCAP11020 | 53 | 92 | 0.04 |
| 25 | EFCAP11025 | 40 | 49 | 0.05 |
| 32 | EFCAP11032 | 36 | 49 | 0.07 |
| 40 | EFCAP11040 | 64 | 110 | 0.14 |
| 50 | EFCAP11050 | 46 | 61 | 0.12 |
| 63 | EFCAP11063 | 82 | 139 | 0.28 |
| 75 | EFCAP11075 | 87 | 148 | 0.43 |
| 90 | EFCAP11090 | 102 | 167 | 0.63 |
| 110 | EFCAP11110 | 104 | 180 | 1.07 |
| 125 | EFCAP11125 | 110 | 189 | 1.39 |
| 140 | EFCAP11140 | 114 | 200 | 2.04 |
| 160 | EFCAP11160 | 130 | 224 | 2.62 |
| 180 | EFCAP11180 | 122 | 218 | 2.98 |
| 200 | EFCAP11200 | 157 | 263 | 4.79 |
| 225 | EFCAP11225 | 142 | 256 | 6.37 |
| 250 | EFCAP11250 | 151 | 274 | 8.05 |
| 280 | EFCAP11280 | 154 | 279 | 11.08 |
| 315 | EFCAP11315 | 200 | 333 | 15.39 |



Electrofusion Branch Saddle

SDR11 

| dn (mm) | dn1 (mm) | Code | H (mm) | Weight (kg) |
|---------|----------|--------------|--------|-------------|
| 40 | 20 | EFBS11040020 | 60 | 0.16 |
| 40 | 25 | EFBS11040025 | 60 | 0.16 |
| 40 | 32 | EFBS11040032 | 60 | 0.16 |
| 40 | 40 | EFBS11040040 | - | - |
| 50 | 20 | EFBS11050020 | 60 | 0.16 |
| 50 | 25 | EFBS11050025 | 60 | 0.16 |
| 50 | 32 | EFBS11050032 | 60 | 0.16 |
| 50 | 40 | EFBS11050040 | 60 | 0.17 |
| 63 | 20 | EFBS11063020 | 60 | 0.19 |
| 63 | 25 | EFBS11063025 | 60 | 0.19 |
| 63 | 32 | EFBS11063032 | 60 | 0.19 |
| 63 | 40 | EFBS11063040 | 60 | 0.2 |
| 63 | 50 | EFBS11063050 | 75 | 0.3 |
| 63 | 63 | EFBS11063063 | 75 | 0.4 |
| 75 | 20 | EFBS11075020 | 60 | 0.22 |
| 75 | 25 | EFBS11075025 | 60 | 0.22 |
| 75 | 32 | EFBS11075032 | 60 | 0.22 |
| 75 | 40 | EFBS11075040 | 60 | 0.23 |
| 75 | 50 | EFBS11075050 | 65 | 0.49 |
| 75 | 63 | EFBS11075063 | 65 | 0.53 |
| 90 | 20 | EFBS11090020 | 60 | 0.22 |
| 90 | 25 | EFBS11090025 | 60 | 0.22 |
| 90 | 32 | EFBS11090032 | 60 | 0.22 |
| 90 | 40 | EFBS11090040 | 60 | 0.23 |
| 90 | 50 | EFBS11090050 | 65 | 0.49 |
| 90 | 63 | EFBS11090063 | 75 | 0.29 |
| 90 | 90 | EFBS11090090 | 100 | 1.07 |
| 110 | 20 | EFBS11110020 | 60 | 0.25 |
| 110 | 25 | EFBS11110025 | 60 | 0.25 |
| 110 | 32 | EFBS11110032 | 60 | 0.25 |
| 110 | 40 | EFBS11110040 | 60 | 0.26 |
| 110 | 50 | EFBS11110050 | 65 | 0.49 |
| 110 | 63 | EFBS11110063 | 90 | 0.4 |
| 110 | 75 | EFBS11110075 | 90 | 0.94 |
| 110 | 90 | EFBS11110090 | 90 | 0.43 |
| 125 | 20 | EFBS11125020 | 60 | 0.25 |
| 125 | 25 | EFBS11125025 | 60 | 0.25 |
| 125 | 32 | EFBS11125032 | 60 | 0.25 |
| 125 | 40 | EFBS11125040 | 60 | 0.26 |

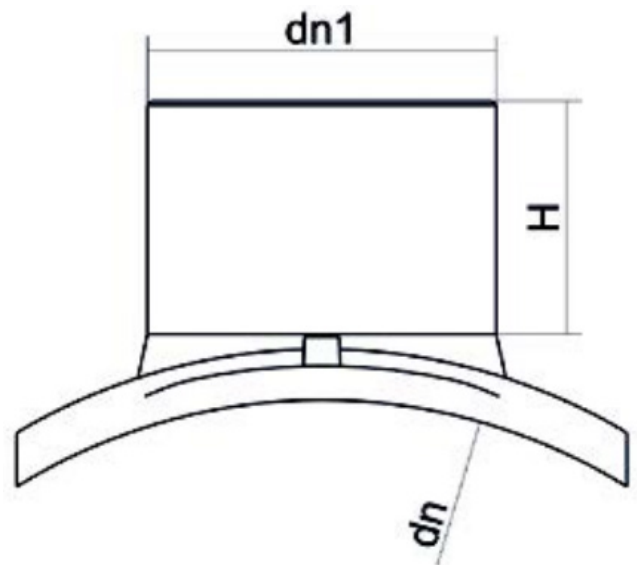
| dn (mm) | dn1 (mm) | Code | H (mm) | Weight (kg) |
|---------|----------|-------------------|--------|-------------|
| 125 | 50 | EFBS11125050 | 65 | 0.49 |
| 125 | 63 | EFBS11125063 | 90 | 0.43 |
| 125 | 75 | EFBS11125075 | 90 | 0.93 |
| 125 | 90 | EFBS11125090 | 90 | 0.5 |
| 140 | 20 | EFBS11140020 | 60 | 0.26 |
| 140 | 25 | EFBS11140025 | 60 | 0.26 |
| 140 | 32 | EFBS11140032 | 60 | 0.26 |
| 140 | 40 | EFBS11140040 | 60 | 0.27 |
| 140 | 50 | EFBS11140050 | 65 | 0.49 |
| 140 | 63 | EFBS11140063 | 65 | 0.53 |
| 140 | 75 | EFBS11140075 | 90 | 0.96 |
| 140 | 90 | EFBS11140090 | 90 | 0.94 |
| 160 | 20 | EFBS11160020 | 60 | 0.34 |
| 160 | 25 | EFBS11160025 | 60 | 0.34 |
| 160 | 32 | EFBS11160032 | 60 | 0.34 |
| 160 | 40 | EFBS11160040 | 65 | 0.36 |
| 160 | 50 | EFBS11160050 | 65 | 0.5 |
| 160 | 63 | EFBS11160063 | 90 | 0.62 |
| 160 | 75 | EFBS11160075 | 90 | 0.95 |
| 160 | 90 | EFBS11160090 | 90 | 0.7 |
| 180/200 | 90 | EFBS11180/200090* | 90 | 1.06 |
| 180 | 20 | EFBS11180020 | 60 | 0.34 |
| 180 | 25 | EFBS11180025 | 60 | 0.34 |
| 180 | 32 | EFBS11180032 | 60 | 0.34 |
| 180 | 40 | EFBS11180040 | 65 | 0.36 |
| 180 | 50 | EFBS11180050 | 65 | 0.5 |
| 180 | 63 | EFBS11180063 | 90 | 0.7 |
| 180 | 75 | EFBS11180075 | 90 | 0.95 |
| 200 | 20 | EFBS11200020 | 60 | 0.34 |
| 200 | 25 | EFBS11200025 | 60 | 0.35 |
| 200 | 32 | EFBS11200032 | 60 | 0.36 |
| 200 | 40 | EFBS11200040 | 65 | 0.37 |
| 200 | 50 | EFBS11200050 | 65 | 0.5 |
| 200 | 63 | EFBS11200063 | 90 | 0.72 |
| 200 | 75 | EFBS11200075 | 90 | 0.96 |
| 225/280 | 63 | EFBS11225/280063* | 90 | 1.06 |
| 225/280 | 75 | EFBS11225/280075* | 90 | 1.06 |
| 225/280 | 90 | EFBS11225/280090* | 90 | 1.06 |

Electrofusion Branch Saddle

SDR11    

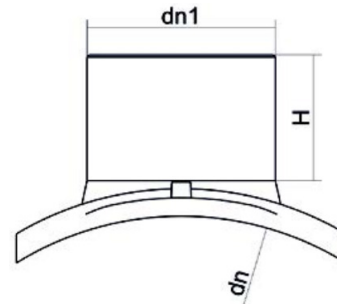
| dn (mm) | dn1 (mm) | Code | H (mm) | Weight (kg) |
|------------|-------------|-------------------|-----------|----------------|
| 225 | 20 | EFBS11225020 | 65 | 0.49 |
| 225 | 25 | EFBS11225025 | 65 | 0.49 |
| 225 | 32 | EFBS11225032 | 65 | 0.45 |
| 225 | 40 | EFBS11225040 | 65 | 0.49 |
| 225 | 50 | EFBS11225050 | 75 | 0.46 |
| 250 | 20 | EFBS11250020 | 65 | 0.47 |
| 250 | 25 | EFBS11250025 | 65 | 0.5 |
| 250 | 32 | EFBS11250032 | 65 | 0.49 |
| 250 | 40 | EFBS11250040 | 65 | 0.49 |
| 250 | 50 | EFBS11250050 | 65 | 0.51 |
| 280 | 20 | EFBS11280020 | 65 | 0.49 |
| 280 | 25 | EFBS11280025 | 65 | 0.51 |
| 280 | 32 | EFBS11280032 | 65 | 0.5 |
| 280 | 40 | EFBS11280040 | 65 | 0.53 |
| 280 | 50 | EFBS11280050 | 65 | 0.52 |
| 315/450 | 63 | EFBS11315/450063* | 90 | 1.08 |
| 315/450 | 75 | EFBS11315/450075* | 90 | 1.08 |
| 315/450 | 90 | EFBS11315/450090* | 90 | 1.08 |
| 315 | 20 | EFBS11315020 | 65 | - |
| 315 | 25 | EFBS11315025 | 65 | 0.48 |
| 315 | 32 | EFBS11315032 | 65 | 0.49 |
| 315 | 40 | EFBS11315040 | 65 | 0.51 |
| 315 | 50 | EFBS11315050 | 65 | 0.53 |
| 500/900 | 63 | EFBS11500/900063* | 90 | 1.74 |
| 500/900 | 75 | EFBS11500/900075* | 90 | 1.74 |
| 500/900 | 90 | EFBS11500/900090* | 90 | 1.74 |

* Installation with belts and ratchets, as shown in picture below



Electrofusion Branch Saddle - High Volume

SDR11 



| dn (mm) | dn1 (mm) | Code | H (mm) | Weight (kg) |
|---------|----------|------------------|--------|-------------|
| 125 | 110 | EFBS11125110 | 90 | 1.38 |
| 160 | 110 | EFBS11160110 | 90 | 0.8 |
| 160 | 125 | EFBS11160125 | 110 | 1.67 |
| 180 | 110 | EFBS11180110 | 110 | 2.11 |
| 180 | 125 | EFBS11180125 | 98 | 1.63 |
| 200/225 | 110 | EFBS11200/225110 | 110 | 1 |
| 200/225 | 125 | EFBS11200/225125 | 110 | 1 |
| 250/280 | 110 | EFBS11250/280110 | 110 | 1 |
| 250/280 | 125 | EFBS11250/280125 | 110 | 1 |
| 315/400 | 110 | EFBS11315/400110 | 110 | 2 |
| 315/400 | 125 | EFBS11315/400125 | 110 | 2.1 |
| 315/400 | 160 | EFBS11315/400160 | 110 | 2.5 |
| 315 | 200 | EFBS11315200* | 150 | 3.9 |
| 315 | 225 | EFBS11315225* | 150 | 4.8 |
| 355 | 200 | EFBS11355200* | 150 | 4.2 |
| 355 | 225 | EFBS11355225* | 150 | 4.9 |
| 400 | 200 | EFBS11400200* | 150 | 5.4 |
| 400 | 225 | EFBS11400225* | 150 | 6 |
| 450/500 | 110 | EFBS11450/500110 | 110 | 2 |
| 450/500 | 125 | EFBS11450/500125 | 110 | 2.1 |
| 450/500 | 160 | EFBS11450/500160 | 110 | 2.5 |
| 450 | 200 | EFBS11450200* | 150 | 4.5 |
| 450 | 225 | EFBS11450225* | 150 | 5.7 |
| 450 | 250 | EFBS11450250* | 150 | 6.8 |
| 500 | 200 | EFBS11500200* | 150 | 5 |
| 500 | 225 | EFBS11500225* | 150 | 5.6 |
| 500 | 250 | EFBS11500250* | 150 | 6.7 |
| 560/630 | 110 | EFBS11560/630110 | 110 | 2 |
| 560/630 | 125 | EFBS11560/630125 | 110 | 2.1 |
| 560/630 | 160 | EFBS11560/630160 | 110 | 2.5 |
| 560 | 200 | EFBS11560200* | 150 | 4.9 |
| 560 | 225 | EFBS11560225* | 160 | 5.5 |
| 560 | 250 | EFBS11560250* | 150 | 6.4 |
| 560 | 315 | EFBS11560315* | 200 | 12.5 |
| 630 | 200 | EFBS11630200* | 150 | 4.9 |
| 630 | 225 | EFBS11630225* | 150 | 5.5 |
| 630 | 250 | EFBS11630250* | 150 | 6.5 |
| 630 | 315 | EFBS11630315* | 200 | 12.5 |

| dn (mm) | dn1 (mm) | Code | H (mm) | Weight (kg) |
|----------|----------|-------------------|--------|-------------|
| 710/800 | 110 | EFBS11710/800110 | 110 | 2 |
| 710/800 | 125 | EFBS11710/800125 | 110 | 2.1 |
| 710/800 | 160 | EFBS11710/800160 | 110 | 2.5 |
| 710 | 200 | EFBS11710200* | 150 | 4.8 |
| 710 | 225 | EFBS11710225* | 150 | 5.3 |
| 710 | 250 | EFBS11710250* | 150 | 6.5 |
| 710 | 315 | EFBS11710315* | 200 | 12.5 |
| 800 | 200 | EFBS11800200* | 150 | 4.6 |
| 800 | 225 | EFBS11800225* | 150 | 5.3 |
| 800 | 250 | EFBS11800250* | 150 | 6.5 |
| 800 | 315 | EFBS11800315* | 200 | 12.5 |
| 900/1000 | 110 | EFBS11900/1000110 | 110 | 2 |
| 900/1000 | 125 | EFBS11900/1000125 | 110 | 2.1 |
| 900/1000 | 160 | EFBS11900/1000160 | 110 | - |
| 900 | 200 | EFBS11900200* | 150 | 4.5 |
| 900 | 225 | EFBS11900225* | 150 | 5.3 |
| 900 | 250 | EFBS11900250* | 150 | 6.5 |
| 900 | 315 | EFBS11900315* | 200 | 12.5 |
| 1000 | 200 | EFBS111000200* | 150 | 4.4 |
| 1000 | 225 | EFBS111000225* | 150 | 5.3 |
| 1000 | 250 | EFBS111000250* | 150 | 6.5 |
| 1000 | 315 | EFBS111000315* | 200 | 12.5 |
| 1200 | 200 | EFBS111200200* | 150 | 5.1 |
| 1200 | 225 | EFBS111200225* | 150 | 5.5 |
| 1200 | 250 | EFBS111200250* | 150 | 6.5 |
| 1200 | 315 | EFBS111200315* | 200 | 12.5 |

* Top loading clamp needed to install this product

Top Loading Clamp for Electrofusion Branch Saddle

| dn (mm) | dn1 (mm) | Code | Weight (kg) |
|------------|----------|-------------------|-------------|
| 315 - 400 | 200 | EFTLC315/450-200 | 5.2 |
| 500 - 1200 | 200 | EFTLC500/1200-200 | 5.2 |
| 315 - 1200 | 225 | EFTLC315/1200-225 | 7.5 |
| 450 - 1200 | 250 | EFTLC450/1200-250 | 8 |
| 560 - 1200 | 315 | EFTLC560/1200-315 | 8 |



Electrofusion Tooling

IPLAST 105 Control Unit

| Fittings Working Range | Code | Weight (kg) |
|------------------------|-----------|-------------|
| 20-1200mm | IPLAST105 | 24 |

Strengths:

- Able to weld fittings up to a diameter of 1600 mm
- Able to deliver constant power of 65A for 6 hours or 105A for a maximum time of 1400 seconds
- Safety output current system powered by a double insulation transformer with galvanic separation for maximum work safety at job site.



IPLAST 60 Control Unit

| Fittings Working Range | Code | Weight (kg) |
|------------------------|----------|-------------|
| 20-400mm | IPLAST60 | 18.5 |

Strengths:

- Able to weld fittings up to a diameter of 400mm
- Duty cycle @20°C: 100%=50A / 60%=70A / 30%=90A
- Degree of protection IP54. The casing design, made using the latest technology, ensures thorough cooling of electrical parts via a cooling fan.



IPLAST 30 Control Unit

| Fittings Working Range | Code | Weight (kg) |
|------------------------|----------|-------------|
| 20-160mm | IPLAST30 | 13 |

Strengths:

- Able to weld fittings up to a diameter of 160 mm
- Used in the construction of small pressurized water, gas and fluid systems.
- Supplied with universal adapters and a shoulder bag for easy transport



GWG Welding Wipes



| Tool | Code |
|-------------------|---------|
| GWG Welding Wipes | EFWIPES |



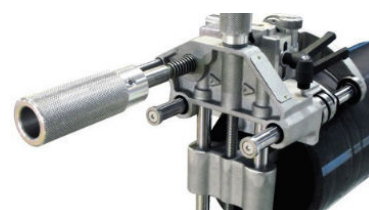
GWG WELDING WIPES

These specialised moist wipes are impregnated with a high specification solution containing 90% V/V Isopropyl Alcohol.

Ensure surfaces are clean before butt or electrofusion jointing (scraping of pipe surface is still required). 75 sheets per canister.

Pipe End Peeler

| Working Range (mm) | Code |
|--------------------|-------------|
| 63-225mm | EFPEP063225 |
| 90-355mm | EFPEP090355 |
| 110-500mm | EFPEP110500 |



Electrofusion Tooling - Control Units

iPlast Control Units are the result of precise research at PlastItalia. They are made to make the welds of pipe and fittings for water and fuel gas more trustworthy and secure. The meticulous research and attention to detail have given life to this sophisticated device, whose internal control system and safety mechanisms are able to guarantee an optimal welding and in conditions of total safety for operators.

The new control unit, iPlast, houses a world-leading internal electronic unit, suitable for small dimensions — an outcome of a new generation of technological developments that Plastitalia, as first in the electrofusion fittings market, has brought.

Simple, intuitive interface

iPlast has been designed for intuitive, straightforward use. The use of icons allows you to find all the information you need with a simple click.

Mechanical durability

iPlast is the only welding machine in the world built with a die-cast aluminium frame for use in all types of work sites.

Made to keep going

iPlast works longer than other welding machines because it has been designed to achieve maximum efficiency from energy exchange.

Can be used on any generator

iPlast is built with 2 processors: one for the user interface and one for welding. For this reason, iPlast lasts to the end of the work day.

Control Unit iPlast 30 for Electrofusion Fittings

The iPlast 30 control unit is used for welding electrofusion fittings of small dimensions. As with other iPlast control units, it reflects the perfect combination of modern, practical design and sophisticated electronics. The minimization of components and an intensive use of digital processing techniques result in a highly advanced product, safe in all aspects and easy to use. iPlast is equipped with electronic controls that allow for rigorous verifications of welding processes.

Strengths:

- Able to weld fittings up to a diameter of 160 mm
- Used in the construction of small pressurized water, gas and fluid systems.
- Supplied with universal adapters and a shoulder bag for easy transport



Control Unit iPlast 60 for Electrofusion Fittings

Welding with an iPlast 60 control unit combines safety, reliability and working continuity, key points for the iPlast range. The efficient internal control system of the equipment constantly verifies all welding parameters, giving assurance about the optimum joint implementation. No need to cool down internal parts, even while working for long periods. Furthermore, the output circuit has been designed to protect you from potential risks, allowing you to weld in total safety.

Strengths:

- Able to weld fittings up to a diameter of 400mm
- Duty cycle @20°C: 100%=50A / 60%=70A / 30%=90A
- Degree of protection IP54. The casing design, made using the latest technology, ensures thorough cooling of electrical parts via a cooling fan



Control Unit iPlast 105 for Electrofusion Fittings

iPlast 105 is the new generation equipment born to make electrofusion welding of pipes and fittings, to be used in water and gas fuels, more secure. This new control unit has been designed to keep the whole welding process under control and to reduce risks connected to the job, meaning that your only task is the preparation of materials.

Strengths:

- Able to weld fittings up to a diameter of 1600 mm
- Able to deliver constant power of 65A for 6 hours or 105A for a maximum time of 1400 seconds
- Safety output current system powered by a double insulation transformer with galvanic separation for maximum work safety at job site.



Backing & Blind Flanges



Table D AS2129 Galvanised Backing Flange

| Pipe OD (mm) | Code | Flange Size | OD (mm) | ID (mm) | PCD (mm) | T (mm) | Bolt Holes NO. x DIA | Bolt | Weight (kg) |
|--------------|-----------|-------------|---------|---------|----------|--------|----------------------|------|-------------|
| 20 | BFGD/E020 | 1/2" | 95 | 32 | 67 | 8 | 4X14 | M12 | 0.36 |
| 25 | BFGD/E025 | 3/4" | 100 | 37 | 73 | 8 | 4X14 | M12 | 0.39 |
| 32 | BFGD/E032 | 1" | 115 | 44 | 83 | 8 | 4X14 | M12 | 0.52 |
| 40 | BFGD/E040 | 1 1/4" | 120 | 52 | 87 | 8 | 4X14 | M12 | 0.54 |
| 50 | BFGD/E050 | 1 1/2" | 135 | 62 | 98 | 9 | 4X14 | M12 | 0.76 |
| 63 | BFGD/E063 | 2" | 150 | 78 | 114 | 10 | 4X18 | M16 | 0.93 |
| 75 | BFGD/E075 | 2 1/2" | 165 | 92 | 127 | 10 | 4X18 | M16 | 1.08 |
| 90 | BFGD/E090 | 3" | 185 | 108 | 146 | 12 | 4X18 | M16 | 1.58 |
| 110 | BFGD110 | 4" | 215 | 128 | 178 | 10 | 4X18 | M16 | 1.76 |
| 125 | BFGD1254* | 4" | 215 | 140 | 178 | 13 | 4X18 | M16 | 1.76 |
| 125 | BFGD125 | 5" | 255 | 135 | 210 | 13 | 8X18 | M16 | 1.57 |
| 140 | BFGD140 | 5" | 255 | 158 | 210 | 13 | 8X18 | M16 | 3.01 |
| 160 | BFGD160 | 6" | 280 | 178 | 235 | 13 | 8X18 | M16 | 3.54 |
| 180 | BFGD180 | 6" | 280 | 195 | 235 | 13 | 8X18 | M16 | 3.03 |
| 200 | BFGD200 | 8" | 335 | 235 | 292 | 13 | 8X18 | M16 | 4.36 |
| 225 | BFGD225 | 8" | 335 | 240 | 292 | 13 | 8X18 | M16 | 4.17 |
| 250 | BFGD250 | 10" | 405 | 290 | 356 | 16 | 8X22 | M20 | 7.51 |
| 280 | BFGD280 | 10" | 405 | 300 | 356 | 16 | 8X22 | M20 | 6.93 |
| 315 | BFGD315 | 12" | 455 | 345 | 406 | 19 | 12X22 | M20 | 9.64 |
| 355 | BFGD355 | 14" | 525 | 376 | 470 | 22 | 12X26 | M24 | 17.12 |
| 400 | BFGD400 | 16" | 580 | 430 | 521 | 22 | 12X26 | M24 | 19.46 |
| 450 | BFGD450 | 18" | 640 | 480 | 584 | 25 | 12X26 | M24 | 26.39 |
| 500 | BFGD500 | 20" | 705 | 533 | 641 | 29 | 16X26 | M24 | 36.17 |
| 560 | BFGD560 | 22" | 760 | 590 | 699 | 32 | 16X30 | M27 | 42.47 |
| 630 | BFGD630 | 24" | 825 | 660 | 756 | 32 | 16X30 | M27 | 45.53 |
| 710 | BFGD710 | 28" | 910 | 745 | 845 | 35 | 20X30 | M27 | 55.08 |
| 800 | BFGD800 | 32" | 1060 | 835 | 985 | 41 | 20X36 | M33 | 101.3 |
| 900 | BFGD900 | 36" | 1175 | 984 | 1092 | 48 | 24X36 | M33 | 132.6 |
| 1000 | BFGD1000 | 40" | 1255 | 1035 | 1175 | 51 | 24X36 | M33 | 148.98 |

* 4" Flange

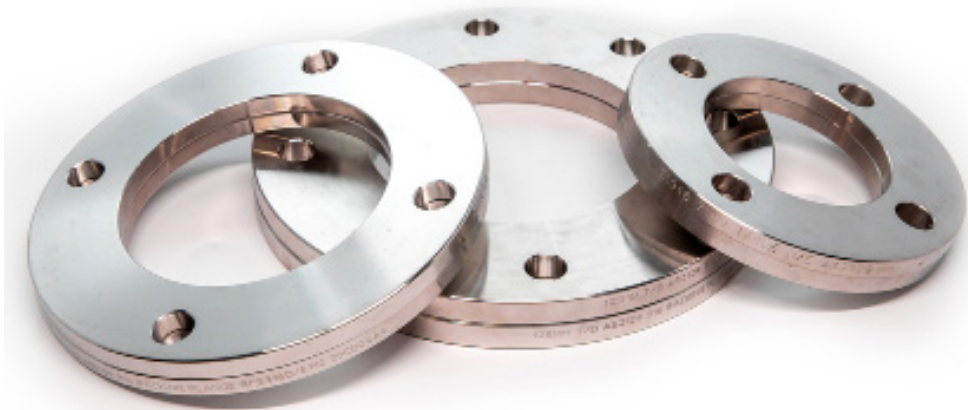
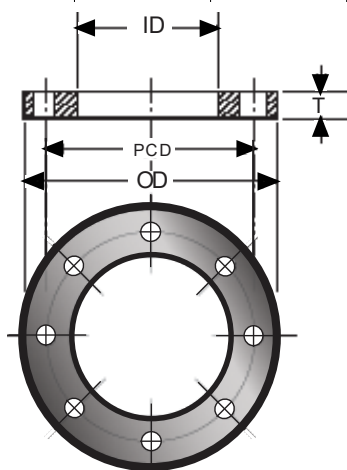


Table E AS2129 Galvanised Backing Flange

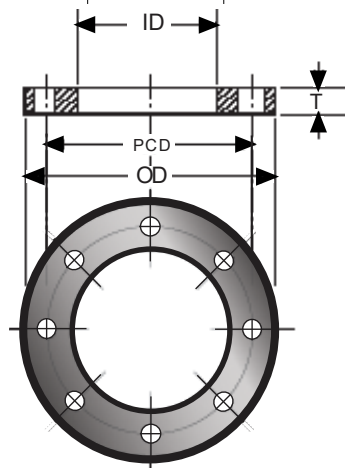
| Pipe OD (mm) | Code | Flange Size | OD (mm) | ID (mm) | PCD (mm) | T (mm) | Bolt Holes NO. x DIA | Bolt | Weight (kg) |
|--------------|-----------|-------------|---------|---------|----------|--------|----------------------|------|-------------|
| 20 | BFGD/E020 | 1/2" | 95 | 32 | 67 | 8 | 4X14 | M12 | 0.36 |
| 25 | BFGD/E025 | 3/4" | 100 | 37 | 73 | 8 | 4X14 | M12 | 0.39 |
| 32 | BFGD/E032 | 1" | 115 | 44 | 83 | 8 | 4X14 | M12 | 0.52 |
| 40 | BFGD/E040 | 1 1/4" | 120 | 52 | 87 | 8 | 4X14 | M12 | 0.54 |
| 50 | BFGD/E050 | 1 1/2" | 135 | 62 | 98 | 9 | 4X14 | M12 | 0.76 |
| 63 | BFGD/E063 | 2" | 150 | 78 | 114 | 10 | 4X18 | M16 | 0.93 |
| 75 | BFGD/E075 | 2 1/2" | 165 | 92 | 127 | 10 | 4X18 | M16 | 1.08 |
| 90 | BFGD/E090 | 3" | 185 | 108 | 146 | 12 | 4X18 | M16 | 1.58 |
| 110 | BFGE110 | 4" | 215 | 128 | 178 | 13 | 8X18 | M16 | 2.19 |
| 125 | BFGE1254* | 4" | 215 | 140 | 178 | 13 | 8X18 | M16 | 2.04 |
| 125 | BFGE125 | 5" | 255 | 135 | 210 | 14 | 8X18 | M16 | 3.7 |
| 140 | BFGE140 | 5" | 255 | 158 | 210 | 14 | 8X18 | M16 | 3.23 |
| 160 | BFGE160 | 6" | 280 | 178 | 235 | 17 | 8X22 | M20 | 4.49 |
| 180 | BFGE180 | 6" | 280 | 195 | 235 | 17 | 8X22 | M20 | 3.84 |
| 200 | BFGE200 | 8" | 335 | 235 | 292 | 19 | 8X22 | M20 | 6.23 |
| 225 | BFGE225 | 8" | 335 | 240 | 292 | 19 | 8X22 | M20 | 5.95 |
| 250 | BFGE250 | 10" | 405 | 290 | 356 | 22 | 12X22 | M20 | 10.06 |
| 280 | BFGE280 | 10" | 405 | 300 | 356 | 22 | 12X22 | M20 | 9.26 |
| 315 | BFGE315 | 12" | 455 | 345 | 406 | 25 | 12X26 | M24 | 12.32 |
| 355 | BFGE355 | 14" | 525 | 376 | 470 | 29 | 12X26 | M24 | 22.57 |
| 400 | BFGE400 | 16" | 580 | 430 | 521 | 32 | 12X26 | M24 | 28.31 |
| 450 | BFGE450 | 18" | 640 | 480 | 584 | 32 | 16X26 | M24 | 33.25 |
| 500 | BFGE500 | 20" | 705 | 533 | 641 | 38 | 16X26 | M24 | 47.39 |
| 560 | BFGE560 | 22" | 760 | 590 | 699 | 44 | 16X30 | M27 | 58.4 |
| 630 | BFGE630 | 24" | 825 | 660 | 756 | 48 | 16X33 | M30 | 67.36 |
| 710 | BFGE710 | 28" | 910 | 745 | 845 | 51 | 20X33 | M30 | 79.07 |
| 800 | BFGE800 | 32" | 1060 | 835 | 984 | 54 | 20X36 | M33 | 133.42 |
| 900 | BFGE900 | 36" | 1175 | 950 | 1092 | 64 | 24X36 | M33 | 176.81 |
| 1000 | BFGE1000 | 40" | 1255 | 1035 | 1175 | 67 | 24X39 | M36 | 192.49 |

* 4" Flange



ANSI 150 Galvanised Backing Flange

| Pipe OD (mm) | Code | Flange Size | OD (mm) | ID (mm) | PCD (mm) | T (mm) | Bolt Holes NO. x DIA | Bolt | Weight (kg) |
|--------------|----------|-------------|---------|---------|----------|--------|----------------------|--------|-------------|
| 20 | BFGA020 | 1/2" | 90 | 32 | 60.5 | 8 | 4X16 | 1/2" | 0.3 |
| 25 | BFGA025 | 3/4" | 98 | 37 | 70 | 8 | 4X16 | 1/2" | 0.36 |
| 32 | BFGA032 | 1" | 108 | 44 | 79.5 | 8 | 4X16 | 1/2" | 0.43 |
| 40 | BFGA040 | 1 1/4" | 117 | 52 | 89 | 8 | 4X16 | 1/2" | 0.49 |
| 50 | BFGA050 | 1 1/2" | 127 | 62 | 98.5 | 10 | 4X16 | 1/2" | 0.69 |
| 63 | BFGA063 | 2" | 152 | 78 | 120.5 | 10 | 4X20 | 5/8" | 0.95 |
| 75 | BFGA075 | 2 1/2" | 178 | 92 | 139.5 | 10 | 4X20 | 5/8" | 1.33 |
| 90 | BFGA090 | 3" | 191 | 108 | 152 | 12 | 4X20 | 5/8" | 1.72 |
| 110 | BFGA110 | 4" | 229 | 128 | 190.5 | 12 | 8X20 | 5/8" | 2.43 |
| 125 | BFGA1254 | 4" | 230 | 140 | 190.5 | 22 | 8X20 | 3/4" | 4.02 |
| 125 | BFGA125 | 5" | 254 | 135 | 216 | 16 | 8X23 | 3/4" | 4.02 |
| 140 | BFGA140 | 5" | 254 | 158 | 216 | 16 | 8X23 | 3/4" | 3.49 |
| 160 | BFGA160 | 6" | 279 | 178 | 241 | 16 | 8X23 | 3/4" | 4.14 |
| 180 | BFGA180 | 6" | 279 | 195 | 241 | 16 | 8X23 | 3/4" | 3.51 |
| 200 | BFGA200 | 8" | 343 | 235 | 298.5 | 20 | 8X23 | 3/4" | 7.18 |
| 225 | BFGA225 | 8" | 343 | 240 | 298.5 | 20 | 8X23 | 3/4" | 6.89 |
| 250 | BFGA250 | 10" | 406 | 290 | 362 | 20 | 12X26 | 7/8" | 8.96 |
| 280 | BFGA280 | 10" | 406 | 300 | 362 | 20 | 12X26 | 7/8" | 8.23 |
| 315 | BFGA315 | 12" | 483 | 345 | 432 | 25 | 12X26 | 7/8" | 16.37 |
| 355 | BFGA355 | 14" | 535 | 376 | 476 | 28 | 12X29 | 1" | 23.28 |
| 400 | BFGA400 | 16" | 600 | 430 | 540 | 32 | 16X29 | 1" | 31.91 |
| 450 | BFGA450 | 18" | 635 | 480 | 578 | 36 | 16X32 | 1 1/8" | 34.75 |
| 500 | BFGA500 | 20" | 700 | 533 | 635 | 40 | 20X32 | 1 1/8" | 45.76 |
| 560 | BFGA560 | 22" | 750 | 590 | 692 | 46 | 20X35 | 1 1/4" | 53.9 |
| 630 | BFGA630 | 24" | 813 | 660 | 749 | 50 | 20X35 | 1 1/4" | 61.97 |
| 710 | BFGA710 | 28" | 927 | 745 | 863.5 | 71 | 28X35 | 1 1/4" | 83.43 |
| 800 | BFGA800 | 32" | 1060 | 835 | 978 | 81 | 28X41 | 1 1/2" | 117.21 |
| 900 | BFGA900 | 36" | 1170 | 950 | 1085.8 | 90 | 32X41 | 1 1/2" | 237.09 |
| 1000 | BFGA1000 | 40" | 1290 | 1030 | 1124 | 90 | 36X41 | 1 1/2" | 301.84 |

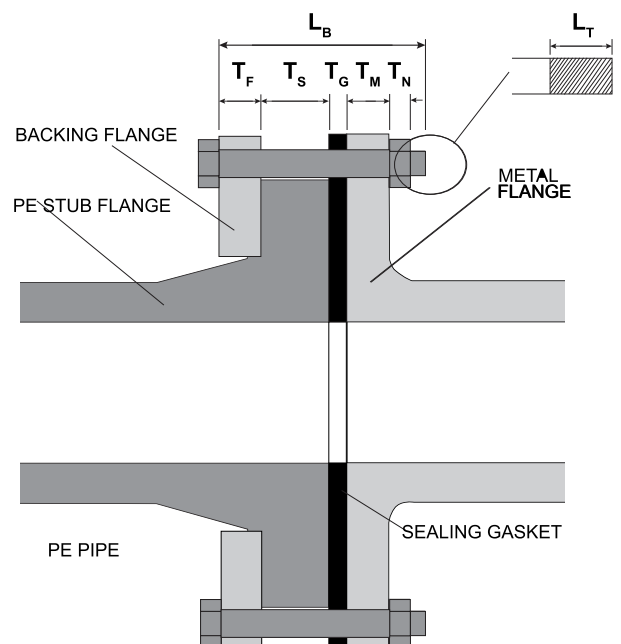


PN16 AS4087 Galvanised Backing Flange

| Pipe OD (mm) | Code | Flange Size | OD (mm) | ID (mm) | PCD (mm) | T (mm) | Bolt Holes NO. x DIA | Bolt | Weight (kg) |
|--------------|-------------|-------------|---------|---------|----------|--------|----------------------|------|-------------|
| 63 | BFG16063 | 2" | 150 | 78 | 114 | 11 | 4X18 | M16 | 1.03 |
| 75 | BFG16075 | 2 1/2" | 165 | 92 | 127 | 11 | 4X18 | M16 | 1.19 |
| 90 | BFG16090 | 3" | 185 | 108 | 146 | 11 | 4X18 | M16 | 1.45 |
| 110 | BFG16110 | 4" | 215 | 128 | 178 | 13 | 4X18 | M16 | 2.29 |
| 160 | BFG16160 | 6" | 280 | 178 | 235 | 13 | 8X18 | M16 | 3.54 |
| 180 | BFG16180 | 6" | 280 | 195 | 235 | 13 | 8X18 | M16 | 3.03 |
| 200 | BFG16200 | 8" | 335 | 235 | 292 | 19 | 8X18 | M16 | 6.38 |
| 225 | BFG16225 | 8" | 335 | 238 | 292 | 19 | 8X18 | M16 | 6.21 |
| 225 | BFG16225-9* | 9" | 370 | 238 | 324 | 19 | 8X18 | M16 | 9.09 |
| 250 | BFG16250 | 10" | 405 | 288 | 356 | 19 | 8X22 | M20 | 9.05 |
| 280 | BFG16280 | 10" | 405 | 300 | 356 | 19 | 8X22 | M20 | 8.22 |
| 315 | BFG16315 | 12" | 455 | 338 | 406 | 23 | 12X22 | M20 | 12.34 |
| 355 | BFG16355 | 14" | 525 | 376 | 470 | 30 | 12X26 | M24 | 23.35 |
| 400 | BFG16400 | 16" | 580 | 430 | 521 | 30 | 12X26 | M24 | 26.54 |
| 450 | BFG16450 | 18" | 640 | 470 | 584 | 30 | 12X26 | M24 | 33.43 |
| 500 | BFG16500 | 20" | 705 | 533 | 641 | 38 | 16X26 | M24 | 47.39 |
| 560 | BFG16560 | 22" | 760 | 590 | 699 | 44 | 16X30 | M27 | 60.5 |
| 630 | BFG16630 | 24" | 825 | 645 | 756 | 48 | 16X30 | M27 | 68.41 |
| 710 | BFG16710 | 28" | 910 | 740 | 845 | 56 | 20X30 | M27 | 88.28 |
| 800 | BFG16800 | 32" | 1060 | 843 | 984 | 56 | 20X36 | M33 | 138.59 |
| 900 | BFG16900 | 36" | 1175 | 947 | 1092 | 66 | 24X36 | M33 | 182.33 |
| 1000 | BFG161000 | 40" | 1255 | 1050 | 1175 | 66 | 24X36 | M33 | 192.8 |

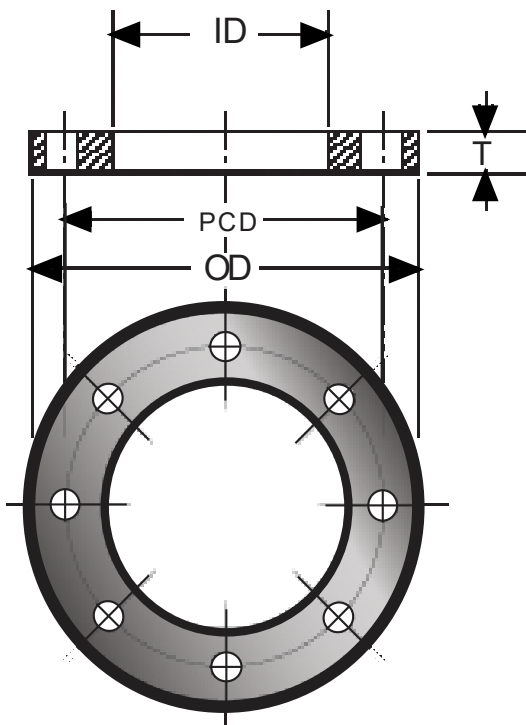
* 9" Flange

T_S = STUB THICKNESS
 T_G = GASKET THICKNESS
 L_B = BOLT LENGTH
 L_T = THREAD LENGTH
 T_M = MATING FLANGE THICKNESS
 T_F = FLANGE THICKNESS



PN21 AS4087 Galvanised Backing Flange

| Pipe OD (mm) | Code | Flange Size | OD (mm) | ID (mm) | PCD (mm) | T (mm) | Bolt Holes NO. x DIA | Bolt | Weight (kg) |
|--------------|----------|-------------|---------|---------|----------|--------|----------------------|------|-------------|
| 63 | BFG21063 | 2" | 165 | 78 | 127 | 15 | 4X18 | M16 | 1.84 |
| 75 | BFG21075 | 2 1/2" | 185 | 92 | 146 | 15 | 8X18 | M16 | 2.14 |
| 90 | BFG21090 | 3" | 205 | 108 | 165 | 15 | 8X18 | M16 | 2.57 |
| 110 | BFG21110 | 4" | 230 | 128 | 191 | 19 | 8X18 | M16 | 3.98 |
| 160 | BFG21160 | 6" | 305 | 178 | 260 | 24 | 12X22 | M20 | 8.22 |
| 180 | BFG21180 | 6" | 305 | 195 | 260 | 24 | 12X22 | M20 | 7.28 |
| 200 | BFG21200 | 8" | 370 | 235 | 324 | 24 | 12X22 | M20 | 11.23 |
| 225 | BFG21225 | 8" | 370 | 238 | 324 | 24 | 12X22 | M20 | 11.02 |
| 250 | BFG21250 | 10" | 430 | 290 | 381 | 30 | 12X26 | M24 | 17.16 |
| 280 | BFG21280 | 10" | 430 | 300 | 381 | 30 | 12X26 | M24 | 16.06 |
| 315 | BFG21315 | 12" | 490 | 345 | 438 | 30 | 16X26 | M24 | 20.41 |
| 355 | BFG21355 | 14" | 550 | 376 | 495 | 30 | 16X30 | M27 | 27.16 |
| 400 | BFG21400 | 16" | 610 | 430 | 552 | 38 | 20X30 | M27 | 39.67 |
| 450 | BFG21450 | 18" | 675 | 480 | 610 | 38 | 20X33 | M30 | 47.7 |
| 500 | BFG21500 | 20" | 735 | 533 | 673 | 48 | 24X33 | M30 | 68.12 |
| 560 | BFG21560 | 22" | 735 | 590 | 673 | 48 | 24X33 | M30 | 49.16 |
| 630 | BFG21630 | 24" | 850 | 660 | 781 | 58 | 24X36 | M33 | 91.54 |

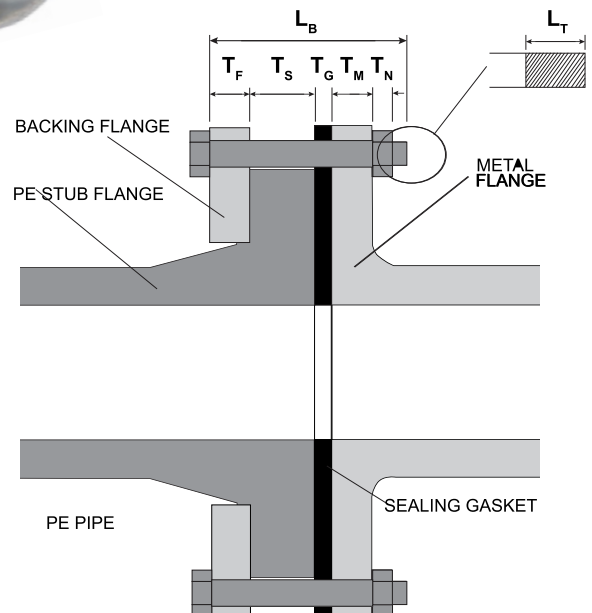


The information contained in this catalogue should be used as a guide only and is subject to change without notice. The information contained in this document does not form part of the terms and conditions of sale or constitute the description of any goods to be supplied by Global Water Group or its distributors. Global Water Group does not invite any person/s to act or rely upon such information and liability for such information is excluded. In particular, as product/ technology is developed rapidly, product specifications, designs and components may change and Global Water Group reserves the right at its discretion to make changes as it sees fit. Before purchasing goods, customers should source current product information from their distributor and seek expert advice on their particular intended use and application for the product. No part of this document may be reproduced, in any form, electronic, mechanical recording without the prior written consent of Global Water Group. The designs, graphics, logos, may not be used without consent /permission and written consent.

DIN16 Galvanised Backing Flange

| Pipe OD (mm) | Code | Flange Size | OD (mm) | ID (mm) | PCD (mm) | T (mm) | Bolt Holes NO. x DIA | Bolt | Weight (kg) |
|--------------|---------------|-------------|---------|---------|----------|--------|----------------------|------|-------------|
| 32 | BFGDIN16032 | 1" | 115 | 44 | 85 | 12 | 4 x 14 | M16 | 0.78 |
| 40 | BFGDIN16040 | 1 1/4" | 140 | 52 | 100 | 14 | 4 x 18 | M16 | 1.35 |
| 50 | BFGDIN16050 | 1 1/2" | 150 | 62 | 110 | 14 | 4 x 18 | M16 | 1.5 |
| 63 | BFGDIN16063 | 2" | 165 | 78 | 125 | 16 | 4 x 18 | M16 | 1.96 |
| 75 | BFGDIN16075 | 2 1/2" | 185 | 92 | 145 | 16 | 8 x 18 | M16 | 2.29 |
| 90 | BFGDIN16090 | 3" | 200 | 108 | 160 | 18 | 8 x 18 | M16 | 2.86 |
| 110 | BFGDIN16110 | 4" | 220 | 128 | 180 | 18 | 8 x 18 | M16 | 3.27 |
| 125 | BFGDIN16125 | 5" | 250 | 140 | 210 | 25 | 8 x 18 | M16 | 6.23 |
| 125 | BFGDIN161254* | 4" | 220 | 140 | 180 | 18 | 8 x 18 | M16 | 2.92 |
| 140 | BFGDIN16140 | 5" | 250 | 158 | 210 | 18 | 8 x 18 | M16 | 3.89 |
| 160 | BFGDIN16160 | 6" | 285 | 178 | 240 | 20 | 8 x 22 | M20 | 5.64 |
| 180 | BFGDIN16180 | 6" | 285 | 195 | 240 | 20 | 8 x 22 | M20 | 4.86 |
| 200 | BFGDIN16200 | 8" | 340 | 235 | 295 | 24 | 12 x 22 | M20 | 8.09 |
| 225 | BFGDIN16225 | 8" | 340 | 240 | 295 | 24 | 12 x 22 | M20 | 7.74 |
| 250 | BFGDIN16250 | 10" | 405 | 290 | 355 | 30 | 12 x 26 | M24 | 13.31 |
| 280 | BFGDIN16280 | 10" | 405 | 300 | 355 | 30 | 12 x 26 | M24 | 12.22 |
| 315 | BFGDIN16315 | 12" | 460 | 345 | 410 | 34 | 12 x 26 | M24 | 17.75 |

* 4" Flange



T_S = STUB THICKNESS
 T_G = GASKET THICKNESS
 L_B = BOLT LENGTH
 L_T = THREAD LENGTH
 T_M = MATING FLANGE THICKNESS
 T_F = FLANGE THICKNESS

ANSI 150 Polypropylene Backing Flange

| Pipe OD (mm) | Code | Flange Size | OD (mm) | ID (mm) | PCD (mm) | T (mm) | Bolt Holes NO. x DIA | Bolt | Weight (kg) |
|--------------|----------|-------------|---------|---------|----------|--------|----------------------|--------|-------------|
| 32 | BFPA032 | 1" | 120 | 44 | 79.5 | 14 | 4 X 16 | 1/2" | 0.51 |
| 40 | BFPA040 | 1 1/4" | 140 | 52 | 89 | 16 | 4 X 16 | 1/2" | 0.92 |
| 50 | BFPA050 | 1 1/2" | 150 | 63 | 98.5 | 16 | 4 X 16 | 1/2" | 1 |
| 63 | BFPA063 | 2" | 165 | 78 | 120.5 | 20 | 4 X 20 | 5/8" | 1.32 |
| 75 | BFPA075 | 2 1/2" | 185 | 92 | 139.5 | 20 | 4 X 20 | 5/8" | 1.61 |
| 90 | BFPA090 | 3" | 200 | 108 | 152 | 22 | 4 X 20 | 5/8" | 2 |
| 110 | BFPA110 | 4" | 230 | 128 | 190.5 | 22 | 8 X 20 | 5/8" | |
| 125 | BFPA125 | 5" | 260 | 140 | 216 | 24 | 8 X 23 | 3/4" | 3.74 |
| 125 | BFPA1254 | 4" | 230 | 140 | 190.5 | 22 | 8 X 20 | 5/8" | |
| 140 | BFPA140 | 5" | 260 | 158 | 216 | 24 | 8 X 23 | 3/4" | 3.27 |
| 160 | BFPA160 | 6" | 286 | 178 | 241 | 26 | 8 X 23 | 3/4" | |
| 180 | BFPA180 | 6" | 286 | 195 | 241 | 26 | 8 X 23 | 3/4" | |
| 200 | BFPA200 | 8" | 345 | 235 | 298.5 | 28 | 8 X 23 | 3/4" | |
| 225 | BFPA225 | 8" | 345 | 240 | 298.5 | 28 | 8 X 23 | 3/4" | |
| 250 | BFPA250 | 10" | 410 | 288 | 362 | 30 | 12 X 26 | 7/8" | 7.6 |
| 280 | BFPA280 | 10" | 410 | 294 | 362 | 30 | 12 X 26 | 7/8" | |
| 315 | BFPA315 | 12" | 485 | 345 | 432 | 35 | 12 X 26 | 7/8" | 14 |
| 355 | BFPA355 | 14" | 535 | 376 | 476 | 40 | 12 X 29 | 1" | 20.5 |
| 400 | BFPA400 | 16" | 600 | 430 | 540 | 40 | 16 X 29 | 1" | 25.1 |
| 450 | BFPA450 | 18" | 640 | 470 | 578 | 45 | 16 X 32 | 1 1/8" | |
| 500 | BFPA500 | 20" | 700 | 530 | 635 | 45 | 20 X 32 | 1 1/8" | |
| 560 | BFPA560 | 22" | 760 | 590 | 692 | 50 | 20 X 35 | 1 1/4" | |
| 630 | BFPA630 | 24" | 820 | 645 | 749 | 50 | 20 X 35 | 1 1/4" | |



Table D AS2129 Stainless Steel 316 Backing Flange

| Pipe OD (mm) | Code | Flange Size | OD (mm) | ID (mm) | PCD (mm) | T (mm) | Bolt Holes NO. x DIA | Bolt | Weight (kg) |
|--------------|--------------|-------------|---------|---------|----------|--------|----------------------|------|-------------|
| 20 | BFS316D/E020 | 1/2" | 95 | 32 | 67 | 8 | 4X14 | M12 | 0.36 |
| 25 | BFS316D/E025 | 3/4" | 100 | 37 | 73 | 8 | 4X14 | M12 | 0.39 |
| 32 | BFS316D/E032 | 1" | 115 | 44 | 83 | 8 | 4X14 | M12 | 0.52 |
| 40 | BFS316D/E040 | 1 1/4" | 120 | 52 | 87 | 8 | 4X14 | M12 | 0.54 |
| 50 | BFS316D/E050 | 1 1/2" | 135 | 62 | 98 | 9 | 4X14 | M12 | 0.76 |
| 63 | BFS316D/E063 | 2" | 150 | 78 | 114 | 10 | 4X18 | M16 | 0.93 |
| 75 | BFS316D/E075 | 2 1/2" | 165 | 92 | 127 | 10 | 4X18 | M16 | 1.08 |
| 90 | BFS316D/E090 | 3" | 185 | 108 | 146 | 12 | 4X18 | M16 | 1.58 |
| 110 | BFS316D110 | 4" | 215 | 128 | 178 | 10 | 4X18 | M16 | 1.76 |
| 125 | BFS316D125 | 5" | 255 | 135 | 210 | 13 | 8X18 | M16 | 1.57 |
| 140 | BFS316D140 | 5" | 255 | 158 | 210 | 13 | 8X18 | M16 | 3.01 |
| 160 | BFS316D160 | 6" | 280 | 178 | 235 | 13 | 8X18 | M16 | 3.54 |
| 180 | BFS316D180 | 6" | 280 | 195 | 235 | 13 | 8X18 | M16 | 3.03 |
| 200 | BFS316D200 | 8" | 335 | 235 | 292 | 13 | 8X18 | M16 | 4.36 |
| 225 | BFS316D225 | 8" | 335 | 240 | 292 | 13 | 8X18 | M16 | 4.17 |
| 250 | BFS316D250 | 10" | 405 | 290 | 356 | 16 | 8X22 | M20 | 7.51 |
| 280 | BFS316D280 | 10" | 405 | 300 | 356 | 16 | 8X22 | M20 | 6.93 |
| 315 | BFS316D315 | 12" | 455 | 345 | 406 | 19 | 12X22 | M20 | 9.64 |
| 355 | BFS316D355 | 14" | 525 | 375 | 470 | 22 | 12X26 | M24 | 17.12 |
| 400 | BFS316D400 | 16" | 580 | 430 | 521 | 22 | 12X26 | M24 | 19.46 |
| 450 | BFS316D450 | 18" | 640 | 480 | 584 | 25 | 12X26 | M24 | 26.39 |
| 500 | BFS316D500 | 20" | 705 | 533 | 641 | 29 | 16X26 | M24 | 36.17 |
| 560 | BFS316D560 | 22" | 760 | 590 | 699 | 32 | 16X30 | M27 | 42.47 |
| 630 | BFS316D630 | 24" | 825 | 660 | 756 | 32 | 16X30 | M27 | 45.53 |
| 710 | BFS316D710 | 28" | 910 | 745 | 845 | 35 | 20X30 | M27 | 55.08 |
| 800 | BFS316D800 | 32" | 1060 | 835 | 985 | 41 | 20X36 | M33 | 101.3 |
| 900 | BFS316D900 | 36" | 1175 | 984 | 1092 | 48 | 24X36 | M33 | 132.6 |
| 1000 | BFS316D1000 | 40" | 1255 | 1035 | 1175 | 51 | 24X36 | M33 | 148.98 |

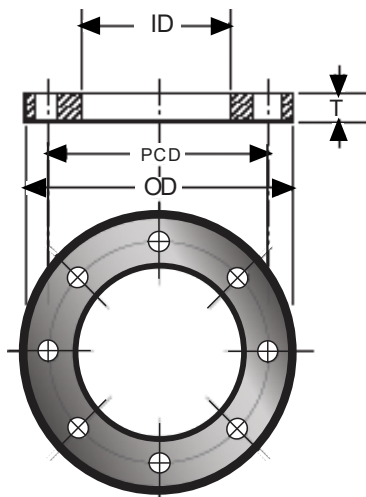


Table E AS2129 Stainless Steel 316 Backing Flange

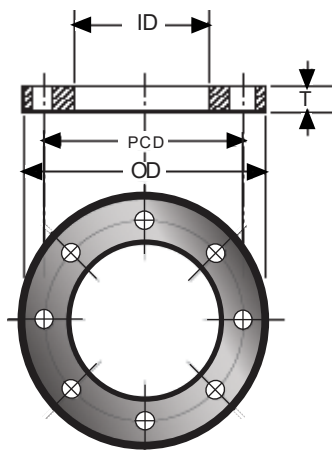
| Pipe OD (mm) | Code | Flange Size | OD (mm) | ID (mm) | PCD (mm) | T (mm) | Bolt Holes NO. x DIA | Bolt | Weight (kg) |
|--------------|--------------|-------------|---------|---------|----------|--------|----------------------|------|-------------|
| 20 | BFS316D/E020 | 1/2" | 95 | 32 | 67 | 8 | 4X14 | M12 | 0.36 |
| 25 | BFS316D/E025 | 3/4" | 100 | 37 | 73 | 8 | 4X14 | M12 | 0.39 |
| 32 | BFS316D/E032 | 1" | 115 | 44 | 83 | 8 | 4X14 | M12 | 0.52 |
| 40 | BFS316D/E040 | 1 1/4" | 120 | 52 | 87 | 8 | 4X14 | M12 | 0.54 |
| 50 | BFS316D/E050 | 1 1/2" | 135 | 62 | 98 | 9 | 4X14 | M12 | 0.76 |
| 63 | BFS316D/E063 | 2" | 150 | 78 | 114 | 10 | 4X18 | M16 | 0.93 |
| 75 | BFS316D/E075 | 2 1/2" | 165 | 92 | 127 | 10 | 4X18 | M16 | 1.08 |
| 90 | BFS316D/E090 | 3" | 185 | 108 | 146 | 12 | 4X18 | M16 | 1.58 |
| 110 | BFS316E110 | 4" | 215 | 128 | 178 | 13 | 8X18 | M16 | 2.19 |
| 125 | BFS316E125 | 5" | 255 | 135 | 210 | 14 | 8X18 | M16 | 3.7 |
| 140 | BFS316E140 | 5" | 255 | 158 | 210 | 14 | 8X18 | M16 | 3.23 |
| 160 | BFS316E160 | 6" | 280 | 178 | 235 | 17 | 8X22 | M20 | 4.49 |
| 180 | BFS316E180 | 6" | 280 | 195 | 235 | 17 | 8X22 | M20 | 3.84 |
| 200 | BFS316E200 | 8" | 335 | 235 | 292 | 19 | 8X22 | M20 | 6.23 |
| 225 | BFS316E225 | 8" | 335 | 240 | 292 | 19 | 8X22 | M20 | 5.95 |
| 250 | BFS316E250 | 10" | 405 | 290 | 356 | 22 | 12X22 | M20 | 10.06 |
| 280 | BFS316E280 | 10" | 405 | 300 | 356 | 22 | 12X22 | M20 | 9.26 |
| 315 | BFS316E315 | 12" | 455 | 345 | 406 | 25 | 12X26 | M24 | 12.32 |
| 355 | BFS316E355 | 14" | 525 | 376 | 470 | 29 | 12X26 | M24 | 22.57 |
| 400 | BFS316E400 | 16" | 580 | 430 | 521 | 32 | 12X26 | M24 | 28.31 |
| 450 | BFS316E450 | 18" | 640 | 480 | 584 | 32 | 16X26 | M24 | 33.25 |
| 500 | BFS316E500 | 20" | 705 | 533 | 641 | 38 | 16X26 | M24 | 47.39 |
| 560 | BFS316E560 | 22" | 760 | 590 | 699 | 44 | 16X30 | M27 | 58.4 |
| 630 | BFS316E630 | 24" | 825 | 660 | 756 | 48 | 16X33 | M30 | 67.36 |
| 710 | BFS316E710 | 28" | 910 | 745 | 845 | 51 | 20X33 | M30 | 79.07 |
| 800 | BFS316E800 | 32" | 1060 | 835 | 984 | 54 | 20X36 | M33 | 133.42 |
| 900 | BFS316E900 | 36" | 1175 | 950 | 1092 | 64 | 24X36 | M33 | 176.81 |
| 1000 | BFS316E1000 | 40" | 1255 | 1035 | 1175 | 67 | 24X39 | M36 | 192.49 |



ANSI 150 Stainless Steel 316 Backing Flange

| Pipe OD (mm) | Code | Flange Size | OD (mm) | ID (mm) | PCD (mm) | T (mm) | Bolt Holes NO. x DIA | Bolt | Weight (kg) |
|--------------|--------------|-------------|---------|---------|----------|--------|----------------------|--------|-------------|
| 20 | BFS316A020 | 1/2" | 90 | 32 | 60.5 | 8 | 4X16 | 1/2" | 0.3 |
| 25 | BFS316A025 | 3/4" | 98 | 37 | 70 | 8 | 4X16 | 1/2" | 0.36 |
| 32 | BFS316A032 | 1" | 108 | 44 | 79.5 | 8 | 4X16 | 1/2" | 0.43 |
| 40 | BFS316A040 | 1 1/4" | 117 | 52 | 89 | 8 | 4X16 | 1/2" | 0.49 |
| 50 | BFS316A050 | 1 1/2" | 127 | 62 | 98.5 | 10 | 4X16 | 1/2" | 0.69 |
| 63 | BFS316A063 | 2" | 152 | 78 | 120.5 | 10 | 4X20 | 5/8" | 0.95 |
| 75 | BFS316A075 | 2 1/2" | 178 | 92 | 139.5 | 10 | 4X20 | 5/8" | 1.33 |
| 90 | BFS316A090 | 3" | 191 | 108 | 152 | 12 | 4X20 | 5/8" | 1.72 |
| 110 | BFS316A110 | 4" | 229 | 128 | 190.5 | 12 | 8X20 | 5/8" | 2.43 |
| 125 | BFS316A1254* | 4" | 230 | 140 | 190.5 | 22 | 8X20 | 3/4" | 4.02 |
| 125 | BFS316A125 | 5" | 254 | 135 | 216 | 16 | 8X23 | 3/4" | 4.02 |
| 140 | BFS316A140 | 5" | 254 | 158 | 216 | 16 | 8X23 | 3/4" | 3.49 |
| 160 | BFS316A160 | 6" | 279 | 178 | 241 | 16 | 8X23 | 3/4" | 4.14 |
| 180 | BFS316A180 | 6" | 279 | 195 | 241 | 16 | 8X23 | 3/4" | 3.51 |
| 200 | BFS316A200 | 8" | 343 | 235 | 298.5 | 20 | 8X23 | 3/4" | 7.18 |
| 225 | BFS316A225 | 8" | 343 | 240 | 298.5 | 20 | 8X23 | 3/4" | 6.89 |
| 250 | BFS316A250 | 10" | 406 | 290 | 362 | 20 | 12X26 | 7/8" | 8.96 |
| 280 | BFS316A280 | 10" | 406 | 300 | 362 | 20 | 12X26 | 7/8" | 8.23 |
| 315 | BFS316A315 | 12" | 483 | 345 | 432 | 25 | 12X26 | 7/8" | 16.37 |
| 355 | BFS316A355 | 14" | 535 | 376 | 476 | 28 | 12X29 | 1" | 23.28 |
| 400 | BFS316A400 | 16" | 600 | 430 | 540 | 32 | 16X29 | 1" | 31.91 |
| 450 | BFS316A450 | 18" | 635 | 480 | 578 | 32 | 16X32 | 1 1/8" | 34.75 |
| 500 | BFS316A500 | 20" | 700 | 533 | 635 | 38 | 20X32 | 1 1/8" | 45.76 |
| 560 | BFS316A560 | 22" | 750 | 590 | 692 | 44 | 20X35 | 1 1/4" | 53.9 |
| 630 | BFS316A630 | 24" | 813 | 660 | 749 | 48 | 20X35 | 1 1/4" | 61.97 |
| 710 | BFS316A710 | 28" | 927 | 745 | 863.5 | 71 | 28X35 | 1 1/4" | 83.43 |
| 800 | BFS316A800 | 32" | 1060 | 835 | 978 | 81 | 28X41 | 1 1/2" | 117.21 |
| 900 | BFS316A900 | 36" | 1170 | 950 | 1085.8 | 90 | 32X41 | 1 1/2" | 237.09 |
| 1000 | BFS316A1000 | 40" | 1290 | 1030 | 1124 | 90 | 36X41 | 1 1/2" | 301.84 |

* 4" Flange



ANSI 150 - ASME B16.5 Stainless Steel 316 Backing Flange

| Pipe OD (mm) | Code | Flange Size | OD (mm) | ID (mm) | PCD (mm) | T (mm) | Bolt Holes NO. x DIA | Bolt | Weight (kg) |
|--------------|--------------|-------------|---------|---------|----------|--------|----------------------|------|-------------|
| 20 | BFS316A020 | 1/2" | 90 | 28 | 60.5 | 11.2 | 4X16 | M14 | - |
| 25 | BFS316A025 | 3/4" | 98 | 34 | 70 | 12.8 | 4X16 | M14 | - |
| 32 | BFS316A032 | 1" | 108 | 42 | 79.5 | 14.2 | 4X16 | M14 | - |
| 40 | BFS316A040 | 1 1/4" | 117 | 51 | 89 | 15.7 | 4X16 | M14 | - |
| 50 | BFS316A050 | 1 1/2" | 127 | 62 | 98.5 | 17.5 | 4X16 | M14 | - |
| 63 | BFS316A063 | 2" | 152 | 78 | 120.5 | 19 | 4X20 | M16 | - |
| 75 | BFS316A075 | 2 1/2" | 178 | 92 | 139.5 | 22.3 | 4X20 | M16 | - |
| 90 | BFS316A090 | 3" | 191 | 108 | 152 | 23.9 | 4X20 | M16 | - |
| 110 | BFS316A110 | 4" | 229 | 128 | 190.5 | 23.9 | 8X20 | M16 | - |
| 125 | BFS316A1254* | 4" | 229 | 135 | 190.5 | 23.9 | 8X20 | M16 | - |
| 125 | BFS316A125 | 5" | 254 | 135 | 216 | 23.9 | 8X22 | M20 | - |
| 140 | BFS316A140 | 5" | 254 | 158 | 216 | 23.9 | 8X22 | M20 | - |
| 160 | BFS316A160 | 6" | 279 | 178 | 241 | 25.4 | 8X22 | M20 | - |
| 180 | BFS316A180 | 6" | 279 | 188 | 241 | 25.4 | 8X22 | M20 | - |
| 200 | BFS316A200 | 8" | 343 | 235 | 298.5 | 28.4 | 8X22 | M20 | - |
| 225 | BFS316A225 | 8" | 343 | 240 | 298.5 | 28.4 | 8X22 | M20 | - |
| 250 | BFS316A250 | 10" | 406 | 290 | 362 | 30.2 | 12X26 | M24 | - |
| 280 | BFS316A280 | 10" | 406 | 300 | 362 | 30.2 | 12X26 | M24 | - |
| 315 | BFS316A315 | 12" | 482 | 345 | 432 | 31.8 | 12X26 | M24 | - |
| 355 | BFS316A355 | 14" | 533 | 376 | 476 | 35 | 12X30 | M27 | - |
| 400 | BFS316A400 | 16" | 600 | 430 | 540 | 36.6 | 16X30 | M27 | - |
| 450 | BFS316A450 | 18" | 635 | 480 | 578 | 39.6 | 16X33 | M30 | - |
| 500 | BFS316A500 | 20" | 700 | 533 | 635 | 43 | 20X33 | M30 | - |
| 560 | BFS316A560 | 22" | 750 | 618 | 692 | 46.1 | 20X36 | M33 | - |
| 630 | BFS316A630 | 24" | 815 | 660 | 750 | 47.8 | 20X36 | M33 | - |
| 710 | BFS316A710 | 28" | 927 | 745 | 864 | 69.9 | 28X36 | M33 | - |
| 800 | BFS316A800 | 32" | 1060 | 843 | 978 | 79.4 | 28X42 | M39 | - |
| 900 | BFS316A900 | 36" | 1168 | 950 | 1086 | 89 | 32X42 | M39 | - |
| 1000 | BFS316A1000 | 40" | 1289 | 1050 | 1200 | 89 | 36X42 | M39 | - |

* 4" Flange

- To be confirmed



PN16 AS4087 Stainless Steel 316 Backing Flange

| Pipe OD (mm) | Code | Flange Size | OD (mm) | ID (mm) | PCD (mm) | T (mm) | Bolt Holes NO. x DIA | Bolt | Weight (kg) |
|--------------|---------------|-------------|---------|---------|----------|--------|----------------------|------|-------------|
| 63 | BFS31616063 | 2" | 150 | 78 | 114 | 11 | 4X18 | M16 | 1.03 |
| 75 | BFS31616075 | 2 1/2" | 165 | 92 | 127 | 11 | 4X18 | M16 | 1.19 |
| 90 | BFS31616090 | 3" | 185 | 108 | 146 | 11 | 4X18 | M16 | 1.45 |
| 110 | BFS31616110 | 4" | 215 | 128 | 178 | 13 | 4X18 | M16 | 2.29 |
| 125 | BFS316161254* | 4" | 215 | 140 | 178 | 13 | 4X18 | M16 | 2.03 |
| 160 | BFS31616160 | 6" | 280 | 178 | 235 | 13 | 8X18 | M16 | 3.54 |
| 180 | BFS31616180 | 6" | 280 | 195 | 235 | 13 | 8X18 | M16 | 3.03 |
| 200 | BFS31616200 | 8" | 335 | 235 | 292 | 19 | 8X18 | M16 | 6.38 |
| 225 | BFS31616225 | 8" | 335 | 235 | 292 | 19 | 8X18 | M16 | 6.21 |
| 250 | BFS31616250 | 10" | 405 | 288 | 356 | 19 | 8X22 | M20 | 9.05 |
| 280 | BFS31616280 | 10" | 405 | 300 | 356 | 19 | 8X22 | M20 | 8.22 |
| 315 | BFS31616315 | 12" | 455 | 338 | 406 | 23 | 12X22 | M20 | 12.34 |
| 355 | BFS31616355 | 14" | 525 | 376 | 470 | 30 | 12X26 | M24 | 23.35 |
| 400 | BFS31616400 | 16" | 580 | 430 | 521 | 30 | 12X26 | M24 | 26.54 |
| 450 | BFS31616450 | 18" | 640 | 470 | 584 | 30 | 12X26 | M24 | 33.43 |
| 500 | BFS31616500 | 20" | 705 | 533 | 641 | 38 | 16X26 | M24 | 47.39 |
| 560 | BFS31616560 | 22" | 760 | 590 | 699 | 44 | 16X30 | M27 | 60.5 |
| 630 | BFS31616630 | 24" | 825 | 645 | 756 | 48 | 16X30 | M27 | 68.41 |
| 710 | BFS31616710 | 28" | 910 | 740 | 845 | 56 | 20X30 | M27 | 88.28 |
| 800 | BFS31616800 | 32" | 1060 | 843 | 984 | 56 | 20X36 | M33 | 138.59 |
| 900 | BFS31616900 | 36" | 1175 | 947 | 1092 | 66 | 24X36 | M33 | 182.33 |
| 1000 | BFS316161000 | 40" | 1255 | 1050 | 1175 | 66 | 24X36 | M33 | 192.8 |

* 4" Flange

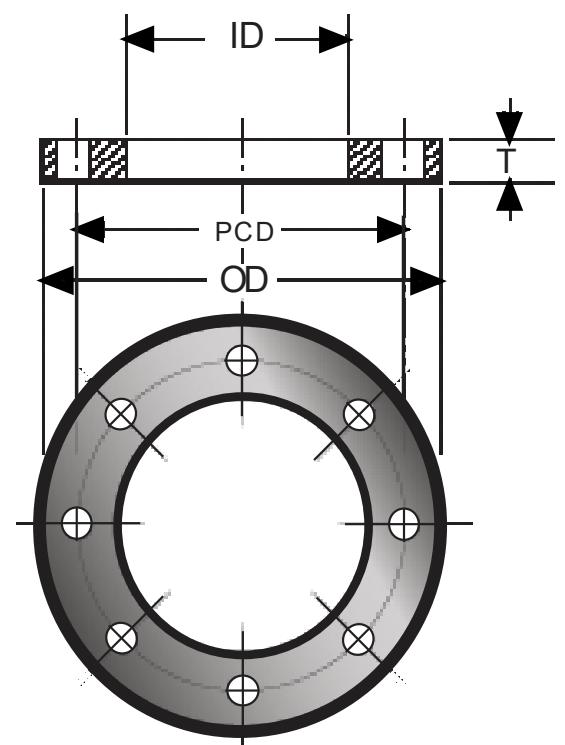


Table D AS2129 Galvanised Blind Flange

| Pipe OD (mm) | Code | Flange Size | OD (mm) | PCD (mm) | T (mm) | Bolt Holes NO. x DIA | Bolt | Weight (kg) |
|--------------|-----------|-------------|---------|----------|--------|----------------------|------|-------------|
| 25 | GBFD/E020 | 3/4" | 100 | 73 | 8 | 4X14 | M12 | 0.45 |
| 32 | GBFD/E025 | 1" | 115 | 83 | 8 | 4X14 | M12 | 0.61 |
| 40 | GBFD/E032 | 1 1/4" | 120 | 87 | 8 | 4X14 | M12 | 0.67 |
| 50 | GBFD/E040 | 1 1/2" | 135 | 98 | 8 | 4X14 | M12 | 0.86 |
| 63 | GBFD/E050 | 2" | 150 | 114 | 8 | 4X18 | M16 | 1.08 |
| 75 | GBFD/E065 | 2 1/2" | 165 | 127 | 10 | 4X18 | M16 | 1.6 |
| 90 | GBFD/E080 | 3" | 185 | 146 | 10 | 4X18 | M16 | 2.03 |
| 110 | GBFD100 | 4" | 215 | 178 | 10 | 4X18 | M16 | 2.77 |
| 125/140 | GBFD125 | 5" | 255 | 210 | 13 | 8X18 | M16 | 5.01 |
| 160/180 | GBFD150 | 6" | 280 | 235 | 13 | 8X18 | M16 | 6.08 |
| 200 | GBFD200 | 8" | 335 | 292 | 13 | 8X18 | M16 | 8.79 |
| 250/280 | GBFD250 | 10" | 405 | 356 | 16 | 8X22 | M20 | 15.81 |
| 315 | GBFD300 | 12" | 455 | 406 | 19 | 12X22 | M20 | 23.59 |
| 350 | GBFD350 | 14" | 525 | 470 | 22 | 12X26 | M24 | 36.31 |
| 400 | GBFD400 | 16" | 580 | 521 | 22 | 12X26 | M24 | 44.56 |
| 450 | GBFD450 | 18" | 640 | 584 | 25 | 12X26 | M24 | 61.93 |
| 500 | GBFD500 | 20" | 705 | 641 | 29 | 16X26 | M24 | 87 |
| 560 | GBFD550 | 22" | 760 | 699 | 32 | 16X30 | M27 | 111.38 |
| 630 | GBFD600 | 24" | 825 | 756 | 32 | 16X30 | M27 | 131.15 |
| 710 | GBFD700 | 28" | 910 | 845 | 35 | 20X30 | M27 | 174.41 |
| 800 | GBFD800 | 32" | 1060 | 985 | 41 | 20X36 | M33 | 278.13 |
| 900 | GBFD900 | 36" | 1175 | 1092 | 48 | 24X36 | M33 | 400.64 |
| 1000 | GBFD1000 | 40" | 1255 | 1175 | 51 | 24X36 | M33 | 486.61 |

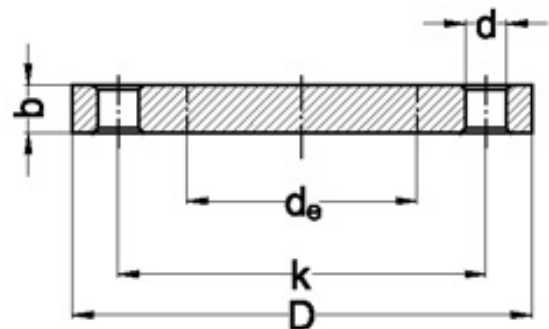


Table E AS2129 Galvanised Blind Flange

| Pipe OD (mm) | Code | Flange Size | OD (mm) | PCD (mm) | T (mm) | Bolt Holes NO. x DIA | Bolt | Weight (kg) |
|--------------|-----------|-------------|---------|----------|--------|----------------------|------|-------------|
| 25 | GBFD/E020 | 3/4" | 100 | 73 | 8 | 4X14 | M12 | 0.45 |
| 32 | GBFD/E025 | 1" | 115 | 83 | 8 | 4X14 | M12 | 0.61 |
| 40 | GBFD/E032 | 1 1/4" | 120 | 87 | 8 | 4X14 | M12 | 0.67 |
| 50 | GBFD/E040 | 1 1/2" | 135 | 98 | 8 | 4X14 | M12 | 0.86 |
| 63 | GBFD/E050 | 2" | 150 | 114 | 10 | 4X18 | M16 | 1.31 |
| 75 | GBFD/E065 | 2 1/2" | 165 | 127 | 10 | 4X18 | M16 | 1.6 |
| 90 | GBFD/E080 | 3" | 185 | 146 | 10 | 4X18 | M16 | 2.03 |
| 110 | GBFE100 | 4" | 215 | 178 | 13 | 8X18 | M16 | 3.5 |
| 125/140 | GBFE125 | 5" | 255 | 210 | 14 | 8X18 | M16 | 5.39 |
| 160/180 | GBFE150 | 6" | 280 | 235 | 17 | 8X22 | M20 | 7.82 |
| 200/225 | GBFE200 | 8" | 335 | 292 | 19 | 8X22 | M20 | 12.7 |
| 250/280 | GBFE250 | 10" | 405 | 356 | 22 | 12X22 | M20 | 21.48 |
| 315 | GBFE300 | 12" | 455 | 406 | 25 | 12X26 | M24 | 30.68 |
| 350 | GBFE350 | 14" | 525 | 470 | 29 | 12X26 | M24 | 47.87 |
| 400 | GBFE400 | 16" | 580 | 521 | 32 | 12X26 | M24 | 64.82 |
| 450 | GBFE450 | 18" | 640 | 584 | 32 | 16X26 | M24 | 78.74 |
| 500 | GBFE500 | 20" | 705 | 641 | 38 | 16X26 | M24 | 114 |
| 560 | GBFE550 | 22" | 760 | 699 | 44 | 16X30 | M27 | 153.15 |
| 630 | GBFE600 | 24" | 825 | 756 | 48 | 16X33 | M30 | 196.73 |
| 710 | GBFE700 | 28" | 910 | 845 | 51 | 20X33 | M30 | 254.14 |
| 800 | GBFE800 | 32" | 1060 | 984 | 54 | 20X36 | M33 | 366.32 |
| 900 | GBFE900 | 36" | 1175 | 1092 | 64 | 24X36 | M33 | 532.23 |
| 1000 | GBFE1000 | 40" | 1255 | 1175 | 67 | 24X39 | M36 | 635.21 |

Table E Galvanised Blind Flange Tapped to 2" BSP

| Pipe OD (mm) | Code | Flange Size | OD (mm) | PCD (mm) | T (mm) | Bolt Holes NO. x DIA | Bolt | Weight (kg) |
|--------------|-----------|-------------|---------|----------|--------|----------------------|------|-------------|
| 110 | GBFE100-2 | 4" | 215 | 178 | 13 | 8X18 | M16 | 3.5 |
| 125/140 | GBFE125-2 | 5" | 255 | 210 | 14 | 8X18 | M16 | 5.39 |
| 160/180 | GBFE150-2 | 6" | 280 | 235 | 17 | 8X22 | M20 | 7.82 |
| 200/225 | GBFE200-2 | 8" | 335 | 292 | 19 | 8X22 | M20 | 12.7 |
| 250/280 | GBFE250-2 | 10" | 405 | 356 | 22 | 12X22 | M20 | 21.48 |
| 315 | GBFE300-2 | 12" | 455 | 406 | 25 | 12X26 | M24 | 30.68 |
| 350 | GBFE350-2 | 14" | 525 | 470 | 29 | 12X26 | M24 | 47.87 |
| 400 | GBFE400-2 | 16" | 580 | 521 | 32 | 12X26 | M24 | 64.82 |
| 450 | GBFE450-2 | 18" | 640 | 584 | 32 | 16X26 | M24 | 78.74 |
| 500 | GBFE500-2 | 20" | 705 | 641 | 38 | 16X26 | M24 | 114 |
| 560 | GBFE550-2 | 22" | 760 | 699 | 44 | 16X30 | M27 | 153.15 |
| 630 | GBFE600-2 | 24" | 825 | 756 | 48 | 16X33 | M30 | 196.73 |



PN16 Galvanised Blind Flange

| Pipe OD (mm) | Code | Flange Size | OD (mm) | PCD (mm) | T (mm) | Bolt Holes NO. x DIA | Bolt | Weight (kg) |
|--------------|----------|-------------|---------|----------|--------|----------------------|------|-------------|
| 63 | GBF16050 | 2" | 150 | 114 | 11 | 4X18 | M16 | 1.44 |
| 75 | GBF16065 | 2 1/2" | 165 | 127 | 11 | 4X18 | M16 | 1.76 |
| 90 | GBF16080 | 3" | 185 | 146 | 11 | 4X18 | M16 | 2.23 |
| 110 | GBF16100 | 4" | 215 | 178 | 13 | 4X18 | M16 | 3.6 |
| 160/180 | GBF16150 | 6" | 280 | 235 | 13 | 8X18 | M16 | 6.08 |
| 200/225 | GBF16200 | 8" | 335 | 292 | 19 | 8X18 | M16 | 12.85 |
| 250/280 | GBF16250 | 10" | 405 | 356 | 19 | 8X22 | M20 | 18.77 |
| 315 | GBF16300 | 12" | 455 | 406 | 23 | 12X22 | M20 | 28.55 |
| 350 | GBF16350 | 14" | 525 | 470 | 30 | 12X26 | M24 | 49.52 |
| 400 | GBF16400 | 16" | 580 | 521 | 30 | 12X26 | M24 | 60.77 |
| 450 | GBF16450 | 18" | 640 | 584 | 30 | 12X26 | M24 | 74.32 |
| 500 | GBF16500 | 20" | 705 | 641 | 38 | 16X26 | M24 | 114 |
| 600 | GBF16600 | 24" | 825 | 756 | 48 | 16X30 | M27 | 197.31 |
| 700 | GBF16700 | 28" | 910 | 845 | 56 | 20X30 | M27 | 279.91 |
| 800 | GBF16800 | 32" | 1060 | 984 | 56 | 20X36 | M33 | 379.27 |

PN16 Galvanised Blind Flange Tapped to 2" BSP

| Pipe OD (mm) | Code | Flange Size | OD (mm) | PCD (mm) | T (mm) | Bolt Holes NO. x DIA | Bolt | Weight (kg) |
|--------------|-------------|-------------|---------|----------|--------|----------------------|------|-------------|
| 63 | GBF16050-1* | 2" | 150 | 114 | 11 | 4X18 | M16 | 1.44 |
| 90 | GBF16080-2 | 3" | 185 | 146 | 11 | 4X18 | M16 | 2.23 |
| 110 | GBF16100-2 | 4" | 215 | 178 | 13 | 4X18 | M16 | 3.51 |
| 160/180 | GBF16150-2 | 6" | 280 | 235 | 13 | 8X18 | M16 | 6.08 |
| 200/225 | GBF16200-2 | 8" | 335 | 292 | 19 | 8X18 | M16 | 12.85 |
| 250/280 | GBF16250-2 | 10" | 405 | 356 | 19 | 8X22 | M20 | 18.77 |
| 315 | GBF16300-2 | 12" | 455 | 406 | 23 | 12X22 | M20 | 28.55 |
| 350 | GBF16350-2 | 14" | 525 | 470 | 30 | 12X26 | M24 | 49.52 |
| 400 | GBF16400-2 | 16" | 580 | 521 | 30 | 12X26 | M24 | 60.77 |
| 450 | GBF16450-2 | 18" | 640 | 584 | 30 | 12X26 | M24 | 74.32 |
| 500 | GBF16500-2 | 20" | 705 | 641 | 38 | 16X26 | M24 | 114 |
| 600 | GBF16600-2 | 24" | 825 | 756 | 48 | 16X30 | M27 | 197.31 |

* Tapped 1"



ANSI 150 Galvanised Blind Flange

| Pipe OD (mm) | Code | Flange Size | OD (mm) | PCD (mm) | T (mm) | Bolt Holes NO. x DIA | Bolt | Weight (kg) |
|--------------|---------|-------------|---------|----------|--------|----------------------|--------|-------------|
| 25 | GBFA020 | 3/4" | 98 | 70 | 8 | 4X16 | 1/2" | 0.42 |
| 32 | GBFA025 | 1" | 108 | 79.5 | 8 | 4X16 | 1/2" | 0.53 |
| 40 | GBFA032 | 1 1/4" | 117 | 89 | 8 | 4X16 | 1/2" | 0.63 |
| 50 | GBFA040 | 1 1/2" | 127 | 98.5 | 10 | 4X16 | 1/2" | 0.93 |
| 63 | GBFA050 | 2" | 152 | 120.5 | 10 | 4X20 | 5/8" | 1.33 |
| 75 | GBFA065 | 2 1/2" | 178 | 139.5 | 10 | 4X20 | 5/8" | 1.86 |
| 90 | GBFA080 | 3" | 191 | 152 | 12 | 4X20 | 5/8" | 2.58 |
| 110 | GBFA100 | 4" | 229 | 190.5 | 12 | 8X20 | 5/8" | 3.65 |
| 125/140 | GBFA125 | 5" | 254 | 216 | 16 | 8X23 | 3/4" | 5.95 |
| 160/180 | GBFA150 | 6" | 279 | 241 | 16 | 8X23 | 3/4" | 7.27 |
| 200/225 | GBFA200 | 8" | 343 | 298.5 | 20 | 8X23 | 3/4" | 14 |
| 250/280 | GBFA250 | 10" | 406 | 362 | 20 | 12X26 | 7/8" | 19.34 |
| 315 | GBFA300 | 12" | 483 | 432 | 25 | 12X26 | 7/8" | 34.73 |
| 350 | GBFA350 | 14" | 535 | 476 | 28 | 12X29 | 1" | 47.78 |
| 400 | GBFA400 | 16" | 600 | 540 | 32 | 16x29 | 1" | 68.53 |
| 450 | GBFA450 | 18" | 635 | 578 | 32 | 16X32 | 1 1/8" | 85.93 |
| 500 | GBFA500 | 20" | 700 | 635 | 38 | 20X32 | 1 1/8" | 115.88 |
| 600 | GBFA600 | 24" | 813 | 749 | 48 | 20X35 | 1 1/4" | 125.87 |
| 700 | GBFA700 | 28" | 927 | 863.5 | 71 | 28X35 | 1 1/4" | 178.45 |
| 800 | GBFA800 | 32" | 1060 | 978 | 81 | 28X41 | 1 1/2" | 272.77 |
| 900 | GBFA900 | 36" | 1170 | 1085.8 | 90 | 32X41 | 1 1/2" | |

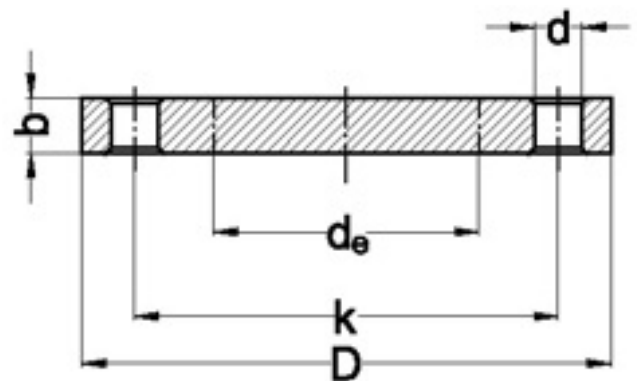


Table D AS2129 Stainless Steel 316 Blind Flange

| Pipe OD (mm) | Code | Flange Size | OD (mm) | PCD (mm) | T (mm) | Bolt Holes NO. x DIA | Bolt | Weight (kg) |
|--------------|-----------|-------------|---------|----------|--------|----------------------|------|-------------|
| 25 | SBFD/E020 | 3/4" | 100 | 73 | 8 | 4X14 | M12 | 0.45 |
| 32 | SBFD/E025 | 1" | 115 | 83 | 8 | 4X14 | M12 | 0.61 |
| 40 | SBFD/E032 | 1 1/4" | 120 | 87 | 8 | 4X14 | M12 | 0.67 |
| 50 | SBFD/E040 | 1 1/2" | 135 | 98 | 8 | 4X14 | M12 | 0.86 |
| 63 | SBFD/E050 | 2" | 150 | 114 | 10 | 4X18 | M16 | 1.31 |
| 75 | SBFD/E065 | 2 1/2" | 165 | 127 | 10 | 4X18 | M16 | 1.6 |
| 90 | SBFD/E080 | 3" | 185 | 146 | 10 | 4X18 | M16 | 2.03 |
| 110 | SBFD100 | 4" | 215 | 178 | 10 | 4X18 | M16 | 2.77 |
| 125/140 | SBFD125 | 5" | 255 | 210 | 13 | 8X18 | M16 | 5.01 |
| 160/180 | SBFD150 | 6" | 280 | 235 | 13 | 8X18 | M16 | 6.08 |
| 200 | SBFD200 | 8" | 335 | 292 | 13 | 8X18 | M16 | 8.79 |
| 250/280 | SBFD250 | 10" | 405 | 356 | 16 | 8X22 | M20 | 15.81 |
| 315 | SBFD300 | 12" | 455 | 406 | 19 | 12X22 | M20 | 23.59 |
| 350 | SBFD350 | 14" | 525 | 470 | 22 | 12X26 | M24 | 36.31 |
| 400 | SBFD400 | 16" | 580 | 521 | 22 | 12X26 | M24 | 44.56 |
| 450 | SBFD450 | 18" | 640 | 584 | 25 | 12X26 | M24 | 61.93 |
| 500 | SBFD500 | 20" | 705 | 641 | 29 | 16X26 | M24 | 87 |
| 560 | SBFD550 | 22" | 760 | 699 | 32 | 16X30 | M27 | 111.38 |
| 630 | SBFD600 | 24" | 825 | 756 | 32 | 16X30 | M27 | 131.15 |
| 710 | SBFD700 | 28" | 910 | 845 | 35 | 20X30 | M27 | 174.41 |
| 800 | SBFD800 | 32" | 1060 | 985 | 41 | 20X36 | M33 | 278.13 |
| 900 | SBFD900 | 36" | 1175 | 1092 | 48 | 24X36 | M33 | 400.64 |
| 1000 | SBFD1000 | 40" | 1255 | 1175 | 51 | 24X36 | M33 | 486.61 |

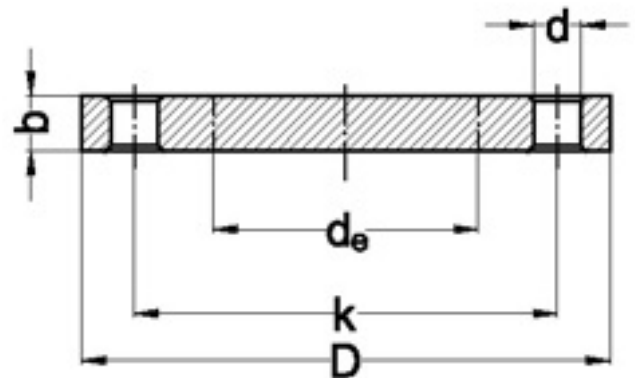
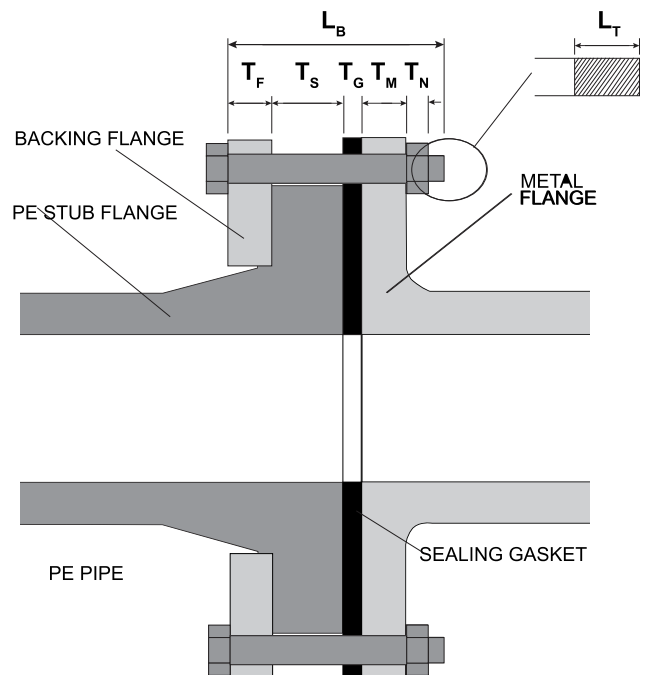


Table E AS2129 Stainless Steel 316 Blind Flange

| Pipe OD (mm) | Code | Flange Size | OD (mm) | PCD (mm) | T (mm) | Bolt Holes NO. x DIA | Bolt | Weight (kg) |
|--------------|-----------|-------------|---------|----------|--------|----------------------|------|-------------|
| 25 | SBFD/E020 | 3/4" | 100 | 73 | 8 | 4X14 | M12 | 0.45 |
| 32 | SBFD/E025 | 1" | 115 | 83 | 8 | 4X14 | M12 | 0.61 |
| 40 | SBFD/E032 | 1 1/4" | 120 | 87 | 8 | 4X14 | M12 | 0.67 |
| 50 | SBFD/E040 | 1 1/2" | 135 | 98 | 8 | 4X14 | M12 | 0.86 |
| 63 | SBFD/E050 | 2" | 150 | 114 | 10 | 4X18 | M16 | 1.31 |
| 75 | SBFD/E065 | 2 1/2" | 165 | 127 | 10 | 4X18 | M16 | 1.6 |
| 90 | SBFD/E080 | 3" | 185 | 146 | 10 | 4X18 | M16 | 2.03 |
| 110 | SBFE100 | 4" | 215 | 178 | 13 | 8X18 | M16 | 3.5 |
| 125/140 | SBFE125 | 5" | 255 | 210 | 14 | 8X18 | M16 | 5.39 |
| 160/180 | SBFE150 | 6" | 280 | 235 | 17 | 8X22 | M20 | 7.82 |
| 200/225 | SBFE200 | 8" | 335 | 292 | 19 | 8X22 | M20 | 12.7 |
| 250/280 | SBFE250 | 10" | 405 | 356 | 22 | 12X22 | M20 | 21.48 |
| 315 | SBFE300 | 12" | 455 | 406 | 25 | 12X26 | M24 | 30.68 |
| 350 | SBFE350 | 14" | 525 | 470 | 29 | 12X26 | M24 | 47.87 |
| 400 | SBFE400 | 16" | 580 | 521 | 32 | 12X26 | M24 | 64.82 |
| 450 | SBFE450 | 18" | 640 | 584 | 32 | 16X26 | M24 | 78.74 |
| 500 | SBFE500 | 20" | 705 | 641 | 38 | 16X26 | M24 | 114 |
| 560 | SBFE550 | 22" | 760 | 699 | 44 | 16X30 | M27 | 153.15 |
| 630 | SBFE600 | 24" | 825 | 756 | 48 | 16X33 | M30 | 196.73 |
| 710 | SBFE700 | 28" | 910 | 845 | 51 | 20X33 | M30 | 254.14 |
| 800 | SBFE800 | 32" | 1060 | 984 | 54 | 20X36 | M33 | 366.32 |
| 900 | SBFE900 | 36" | 1175 | 1092 | 64 | 24X36 | M33 | 532.23 |
| 1000 | SBFE1000 | 40" | 1255 | 1175 | 67 | 24X39 | M36 | 635.21 |

T_S = STUB THICKNESS
 T_G = GASKET THICKNESS
 L_B = BOLT LENGTH
 L_T = THREAD LENGTH
 T_M = MATING FLANGE THICKNESS
 T_F = FLANGE THICKNESS



ANSI 150 Stainless Steel 316 Blind Flange

| Pipe OD (mm) | Code | Flange Size | OD (mm) | PCD (mm) | T (mm) | Bolt Holes NO. x DIA | Bolt | Weight (kg) |
|--------------|---------|-------------|---------|----------|--------|----------------------|--------|-------------|
| 25 | SBFA020 | 3/4" | 98 | 70 | 8 | 4X16 | 1/2" | 0.42 |
| 32 | SBFA025 | 1" | 108 | 79.5 | 8 | 4X16 | 1/2" | 0.53 |
| 40 | SBFA032 | 1 1/4" | 117 | 89 | 8 | 4X16 | 1/2" | 0.63 |
| 50 | SBFA040 | 1 1/2" | 127 | 98.5 | 10 | 4X16 | 1/2" | 0.93 |
| 63 | SBFA050 | 2" | 152 | 120.5 | 10 | 4X20 | 5/8" | 1.33 |
| 75 | SBFA065 | 2 1/2" | 178 | 139.5 | 10 | 4X20 | 5/8" | 1.86 |
| 90 | SBFA080 | 3" | 191 | 152 | 12 | 4X20 | 5/8" | 2.58 |
| 110 | SBFA100 | 4" | 229 | 190.5 | 12 | 8X20 | 5/8" | 3.65 |
| 125/140 | SBFA125 | 5" | 254 | 216 | 16 | 8X23 | 3/4" | 5.95 |
| 160/180 | SBFA150 | 6" | 279 | 241 | 16 | 8X23 | 3/4" | 7.27 |
| 200/225 | SBFA200 | 8" | 343 | 298.5 | 20 | 8X23 | 3/4" | 14 |
| 250/280 | SBFA250 | 10" | 406 | 362 | 20 | 12X26 | 7/8" | 19.34 |
| 315 | SBFA300 | 12" | 483 | 432 | 25 | 12X26 | 7/8" | 34.73 |
| 350 | SBFA350 | 14" | 535 | 476 | 28 | 12X29 | 1" | 47.78 |
| 400 | SBFA400 | 16" | 600 | 540 | 32 | 16x29 | 1" | 68.53 |
| 450 | SBFA450 | 18" | 635 | 578 | 32 | 16X32 | 1 1/8" | 86.06 |
| 500 | SBFA500 | 20" | 700 | 635 | 38 | 20X32 | 1 1/8" | 84.15 |
| 560 | SBFA550 | 22" | 750 | 692 | 44 | 20X35 | 1 1/4" | 106.39 |
| 630 | SBFA600 | 24" | 813 | 749 | 48 | 20X35 | 1 1/4" | 125.87 |

PN16 Stainless Steel 316 Blind Flange

| Pipe OD (mm) | Code | Flange Size | OD (mm) | PCD (mm) | T (mm) | Bolt Holes NO. x DIA | Bolt | Weight (kg) |
|--------------|----------|-------------|---------|----------|--------|----------------------|------|-------------|
| 63 | SBF16050 | 2" | 150 | 114 | 11 | 4X18 | M16 | 1.44 |
| 75 | SBF16065 | 2 1/2" | 165 | 127 | 11 | 4X18 | M16 | 1.76 |
| 90 | SBF16080 | 3" | 185 | 146 | 11 | 4X18 | M16 | 2.23 |
| 110 | SBF16100 | 4" | 215 | 178 | 13 | 4X18 | M16 | 3.6 |
| 160/180 | SBF16150 | 6" | 280 | 235 | 13 | 8X18 | M16 | 6.08 |
| 200/225 | SBF16200 | 8" | 335 | 292 | 19 | 8X18 | M16 | 12.85 |
| 250/280 | SBF16250 | 10" | 405 | 356 | 19 | 8X22 | M20 | 18.77 |
| 315 | SBF16300 | 12" | 455 | 406 | 23 | 12X22 | M20 | 28.55 |
| 350 | SBF16350 | 14" | 525 | 470 | 30 | 12X26 | M24 | 49.52 |
| 400 | SBF16400 | 16" | 580 | 521 | 30 | 12X26 | M24 | 60.77 |
| 450 | SBF16450 | 18" | 640 | 584 | 30 | 12X26 | M24 | 74.32 |
| 500 | SBF16500 | 20" | 705 | 641 | 38 | 16X26 | M24 | 114 |
| 600 | SBF16600 | 24" | 825 | 756 | 48 | 16X30 | M27 | 197.31 |
| 700 | SBF16700 | 28" | 910 | 845 | 56 | 20X30 | M27 | 279.91 |
| 800 | SBF16800 | 32" | 1060 | 984 | 56 | 20X36 | M33 | 379.27 |

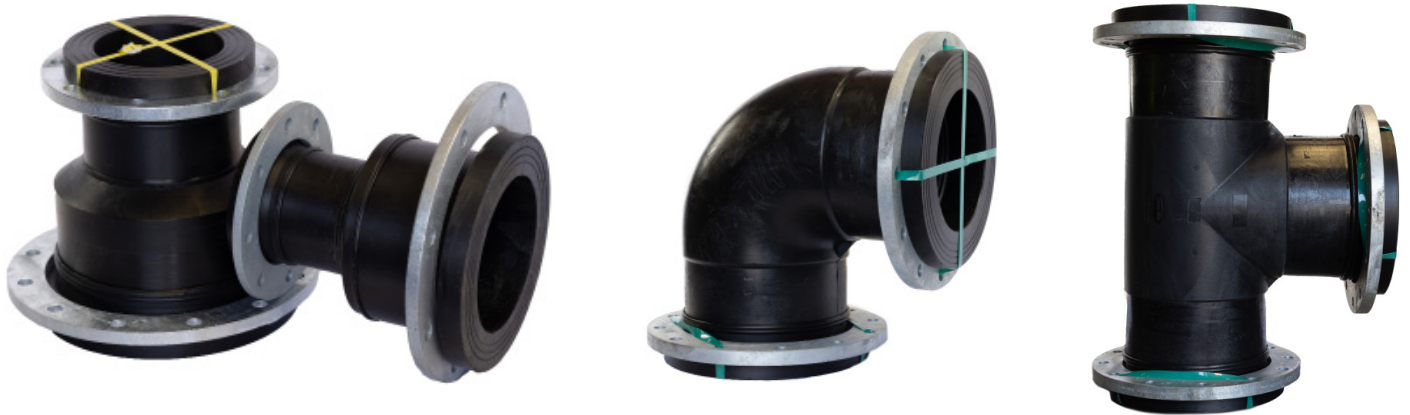
Flanged Fittings



Flanged Fittings and Fabrications

Flanged and fabricated fittings are available on request. We stock and fabricate the following products:

- 3m, 6m, 9m & 12m Suction Lines with 45° Elbow and Backing Flanges
- Tees and Reducing Tees
- Elbows
- Concentric and Eccentric Reducers
- Sweeps
- Segmented Bends
- Moulded 45° Y Junction
- PN16, PN21, ANSI 150, Table D, Table E, DIN16 Galvanised and Stainless Steel 316 Backing Flanges



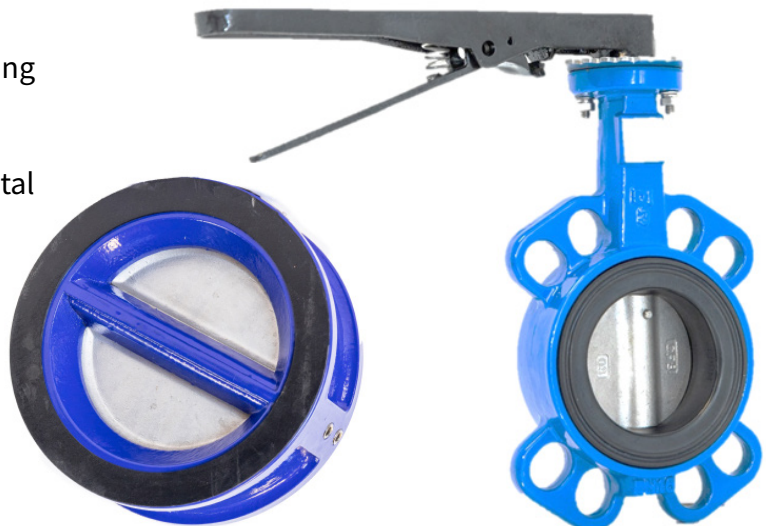
Valves



Our centre line type butterfly valves have been developed with more than 20 years scientific research and application experiences. This ensures better torque control, easy operation, easy installation and maintenance.

Various applications under different operating conditions

- Potable water, water factory
- Waste water treatment and environmental protection
- Agriculture
- Energy, power and utilities
- HVAC system
- Building fire control system
- Chemical and petrochemical



Wafer Gear Butterfly Valve

| AS2129 Table E | | | | | | | ISO5211 Top Flange | | | | Shaft Size | |
|----------------|-----|-----|-------|-----|-------|------|--------------------|-----|-----|--------|------------|-------|
| DN | L | ØC | n-Ød | H1 | H2 | H3 | Top Flange | ØN | ØC1 | n1-Ød1 | HxH | ØC6 |
| 50 | 43 | 114 | 4-18 | 140 | 70 | 29 | F05 | 65 | 50 | 4-Ø8 | 9x9 | |
| 65 | 46 | 127 | 4-18 | 155 | 79 | 29 | F05 | 65 | 50 | 4-Ø8 | 9x9 | |
| 80 | 46 | 146 | 4-18 | 160 | 95 | 29 | F05 | 65 | 50 | 4-Ø8 | 9x9 | |
| 100 | 52 | 178 | 8-18 | 180 | 107 | 29 | F07 | 90 | 70 | 4-Ø10 | 11x11 | |
| 125 | 56 | 210 | 8-18 | 193 | 120 | 29 | F07 | 90 | 70 | 4-Ø10 | 14x14 | |
| 150 | 56 | 235 | 8-22 | 200 | 139 | 29 | F07 | 90 | 70 | 4-Ø10 | 14x14 | |
| 200 | 60 | 292 | 8-22 | 240 | 170 | 35 | F10 | 125 | 102 | 4-Ø12 | 17x17 | |
| 250 | 68 | 356 | 12-22 | 272 | 200 | 35 | F10 | 125 | 102 | 4-Ø12 | 22x22 | |
| 300 | 78 | 406 | 12-26 | 317 | 242 | 37 | F10 | 125 | 102 | 4-Ø12 | 22x22 | |
| 350 | 78 | 470 | 12-26 | 368 | 267 | 45 | F10 | 125 | 102 | 4-Ø12 | | 31.6 |
| 400 | 102 | 521 | 12-26 | 400 | 298.6 | 51.2 | F14 | 175 | 140 | 4-Ø18 | | 33.15 |
| 450 | 114 | 584 | 16-26 | 422 | 318 | 51.2 | F14 | 175 | 140 | 4-Ø18 | | 38 |
| 500 | 127 | 641 | 16-26 | 480 | 355 | 64.2 | F14 | 175 | 140 | 4-Ø18 | | 41.15 |
| 600 | 154 | 756 | 16-33 | 562 | 444 | 70.2 | F16 | 210 | 165 | 4-Ø22 | | 50.65 |

| Size (mm) | Imperial Size | PN | Code | Seat Material | Code | Seat Material | Weight (kg) |
|-----------|---------------|----|-----------|---------------|----------|---------------|-------------|
| 50 | 2" | 16 | BVWNG050 | NBR | BVWEG050 | EPDM | 7.84 |
| 65 | 2 1/2" | 16 | BVWNG065 | NBR | BVWEG065 | EPDM | 8.46 |
| 80 | 3" | 16 | BVWNG080 | NBR | BVWEG080 | EPDM | 8.60 |
| 100 | 4" | 16 | BVWNG100 | NBR | BVWEG100 | EPDM | 10.00 |
| 125 | 5" | 16 | BVWNG125 | NBR | BVWEG125 | EPDM | 13.70 |
| 150 | 6" | 16 | BVWNG150 | NBR | BVWEG150 | EPDM | 13.70 |
| 200 | 8" | 16 | BVWNG200 | NBR | BVWEG200 | EPDM | 25.00 |
| 250 | 10" | 16 | BVWNG250 | NBR | BVWEG250 | EPDM | 32.00 |
| 300 | 12" | 16 | BVWNG300 | NBR | BVWEG300 | EPDM | 45.00 |
| 350 | 14" | 16 | BVWNG350* | NBR | BVWEG350 | EPDM | 58.00 |
| 400 | 16" | 16 | BVWNG400* | NBR | BVWEG400 | EPDM | 107.00 |
| 450 | 18" | 16 | BVWNG450* | NBR | BVWEG450 | EPDM | 107.00 |
| 500 | 20" | 16 | BVWNG500* | NBR | BVWEG500 | EPDM | 160.00 |
| 600 | 24" | 16 | BVWNG600* | NBR | BVWEG600 | EPDM | 260.00 |

| Parts | Description | Material |
|-------|-------------|-------------|
| 1 | Body | Cast Iron |
| 2 | Disc | SS316 |
| 3 | Stem | SS420 |
| 4 | Seat | NBR or EPDM |
| 5 | Bushing | PTFE |
| 6 | O-Ring | EPDM |
| 7 | Pin | SS304 |

| Nominal Pressure | | PN16 |
|-------------------|---------------|----------------|
| Test | Strength Test | 2.4Mpa |
| Pressure | Sealing Test | 1.76Mpa |
| Max Working Temp. | | 10°C to + 90°C |

* Also available in DI NP disc

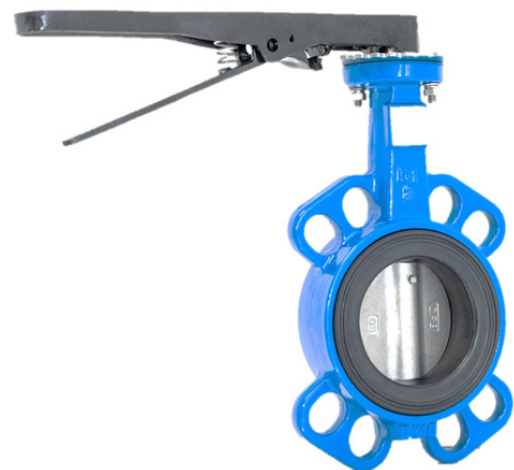
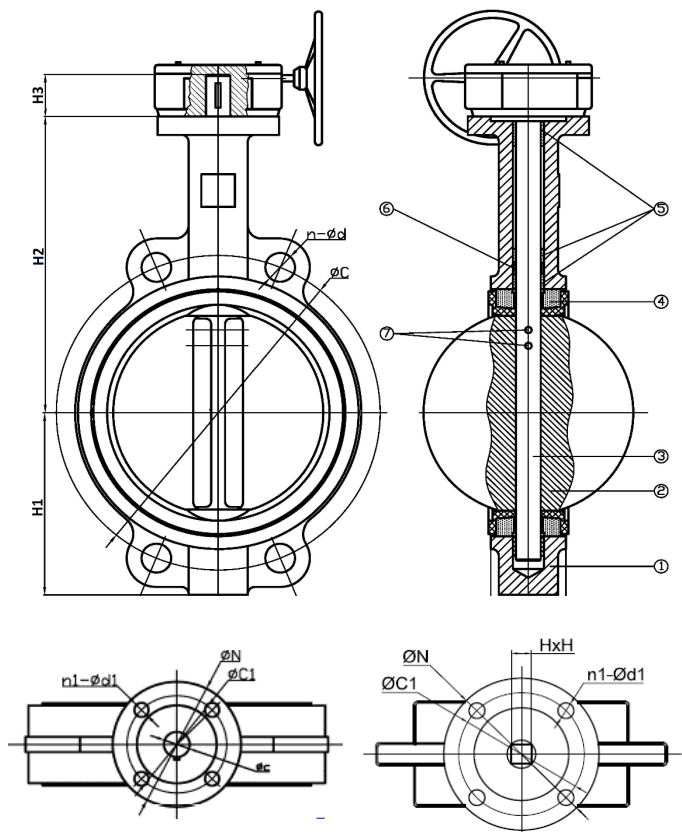
Wafer Lever Butterfly Valve

| AS2129 Table E | | | | | | | ISO5211 Top Flange | | | | Shaft Size |
|----------------|----|-----|-------|-----|-----|----|--------------------|-----|-----|--------|------------|
| DN | L | ØC | n-Ød | H1 | H2 | H3 | Top Flange | ØN | ØC1 | n1-Ød1 | HxH |
| 50 | 43 | 114 | 4-18 | 140 | 70 | 29 | F05 | 65 | 50 | 4-Ø8 | 9x9 |
| 65 | 46 | 127 | 4-18 | 155 | 79 | 29 | F05 | 65 | 50 | 4-Ø8 | 9x9 |
| 80 | 46 | 146 | 4-18 | 160 | 95 | 29 | F05 | 65 | 50 | 4-Ø8 | 9x9 |
| 100 | 52 | 178 | 8-18 | 180 | 107 | 29 | F07 | 90 | 70 | 4-Ø10 | 11x11 |
| 125 | 56 | 210 | 8-18 | 193 | 120 | 29 | F07 | 90 | 70 | 4-Ø10 | 14x14 |
| 150 | 56 | 235 | 8-22 | 200 | 139 | 29 | F07 | 90 | 70 | 4-Ø10 | 14x14 |
| 200 | 60 | 292 | 8-22 | 240 | 170 | 35 | F10 | 125 | 102 | 4-Ø12 | 17x17 |
| 250 | 68 | 356 | 12-22 | 272 | 200 | 35 | F10 | 125 | 102 | 4-Ø12 | 22x22 |
| 300 | 78 | 406 | 12-26 | 317 | 242 | 37 | F10 | 125 | 102 | 4-Ø12 | 22x22 |

| Size (mm) | Imperial Size | Code | Weight (kg) |
|-----------|---------------|----------|-------------|
| 50 | 2" | BVWNL050 | 3.22 |
| 65 | 2 1/2" | BVWNL065 | 5.00 |
| 80 | 3" | BVWNL080 | 4.60 |
| 100 | 4" | BVWNL100 | 5.80 |
| 125 | 5" | BVWNL125 | 8.00 |
| 150 | 6" | BVWNL150 | 9.50 |
| 200 | 8" | BVWNL200 | 16.00 |
| 250 | 10" | BVWNL250 | 21.00 |
| 300 | 12" | BVWNL300 | 35.00 |

| Parts | Description | Material |
|-------|-------------|-----------|
| 1 | Body | Cast Iron |
| 2 | Disc | SS316 |
| 3 | Stem | S440 |
| 4 | Seat | NBR* |
| 5 | Bushing | PTFE |
| 6 | O-Ring | EPDM |
| 7 | Pin | SS304 |

* Denotes available in NBR and EPDM



PLEASE NOTE:

Care should be taken when connecting wafer style butterfly valves with stub flanges. On some valves, the mouth of the stub must be machined out slightly to allow full rotation of the butterfly plate when fully assembled. Where excessive material must be removed, polyethylene tapered spacers must be used between the stub flange and the valve body.

Lugged Butterfly Valve

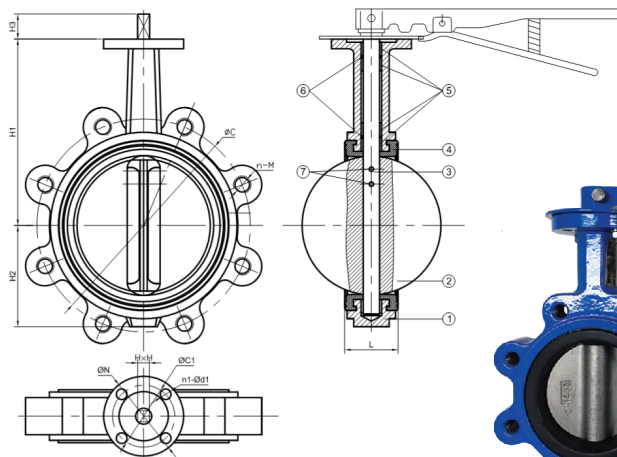
| AS2129 Table E | | | | | | | ISO5211 Top Flange | | | | Shaft Size | |
|----------------|-----|-----|--------|-----|-----|----|--------------------|-----|-----|--------|------------|-------|
| DN | L | ØC | n-Ød | H1 | H2 | H3 | Top Flange | ØN | ØC1 | n1-Ød1 | HxH | ØC6 |
| 50 | 43 | 114 | 4-M16 | 55 | 143 | 29 | F05 | 65 | 50 | 4-8 | 9x9 | |
| 65 | 46 | 127 | 4-M16 | 64 | 155 | 29 | F05 | 65 | 50 | 4-8 | 9x9 | |
| 80 | 46 | 146 | 4-M16 | 72 | 162 | 29 | F05 | 65 | 50 | 7-8 | 9x9 | |
| 100 | 52 | 178 | 8-M16 | 90 | 181 | 29 | F07 | 90 | 70 | 4-10 | 11x11 | |
| 125 | 56 | 221 | 8-M16 | 101 | 179 | 29 | F07 | 90 | 70 | 4-10 | 11x11 | |
| 150 | 56 | 235 | 8-M20 | 114 | 210 | 29 | F07 | 90 | 70 | 4-10 | 11x11 | |
| 200 | 60 | 292 | 8-M20 | 145 | 240 | 35 | F10 | 125 | 102 | 4-12 | 17x17 | |
| 250 | 68 | 356 | 12-M20 | 178 | 286 | 35 | F10 | 125 | 102 | 4-12 | 22x22 | |
| 300 | 78 | 406 | 12-M24 | 204 | 309 | 35 | F10 | 125 | 102 | 4-12 | 22x22 | |
| 350 | 190 | 470 | 12-M26 | 312 | 253 | 45 | F10 | 125 | 102 | 4X12 | | 31.6 |
| 400 | 216 | 521 | 12-M26 | 343 | 282 | 51 | F14 | 175 | 140 | 4X18 | | 33.15 |
| 450 | 222 | 584 | 12-M26 | 381 | 323 | 51 | F14 | 175 | 140 | 4X18 | | 38 |
| 500 | 229 | 641 | 16-M26 | 433 | 348 | 64 | F14 | 175 | 140 | 4X18 | | 41.15 |
| 600 | 267 | 756 | 16-M30 | 518 | 416 | 70 | F16 | 210 | 165 | 4X22 | | 50.65 |

Lugged Lever Butterfly Valve

| Size (mm) | ANSI 150 | Table D | Table E |
|-----------|------------|--------------|--------------|
| 50 | BVLNL050-A | BVLNL050-D/E | BVLNL050-D/E |
| 65 | BVLNL065-A | BVLNL065-D/E | BVLNL065-D/E |
| 80 | BVLNL080-A | BVLNL080-D/E | BVLNL080-D/E |
| 100 | BVLNL100-A | BVLNL100-D | BVLNL100-E |
| 125 | BVLNL125-A | BVLNL125-D/E | BVLNL125-D/E |
| 150 | BVLNL150-A | BVLNL150-D | BVLNL150-E |
| 200 | BVLNL200-A | BVLNL200-D | BVLNL200-E |
| 250 | BVLNL250-A | BVLNL250-D | BVLNL250-E |
| 300 | BVLNL300-A | BVLNL300-D | BVLNL300-E |

Lugged Gear Butterfly Valve

| Size (mm) | ANSI 150 | Table D | Table E |
|-----------|------------|---------------|---------------|
| 50 | | BVLNG050-D/E | BVLNG050-D/E |
| 65 | | BVLNG065-D/E | BVLNG065-D/E |
| 80 | | BVLNG080-D/E | BVLNG080-D/E |
| 100 | | BVLNG100-D | BVLNG100-E |
| 125 | | BVLNG125-D/E | BVLNG125-D/E |
| 150 | BVLNG150-A | BVLNG150-D | BVLNG150-E |
| 200 | BVLNG200-A | BVLNG200-D | BVLNG200-E |
| 250 | BVLNG250-A | BVLNG250-D | BVLNG250-E |
| 300 | BVLNG300-A | BVLNG300-D | BVLNG300-E |
| 350 | | BVLNG350-D/E* | BVLNG350-D/E* |
| 400 | | BVLNG400-D/E* | BVLNG400-D/E* |
| 450 | | BVLNG450-D* | BVLNG450-E* |
| 500 | | BVLNG500-D/E* | BVLNG500-D/E* |
| 600 | | BVLNG600-D* | BVLNG600-E* |



* Also available in DI NP disc

Flanged Butterfly Valve

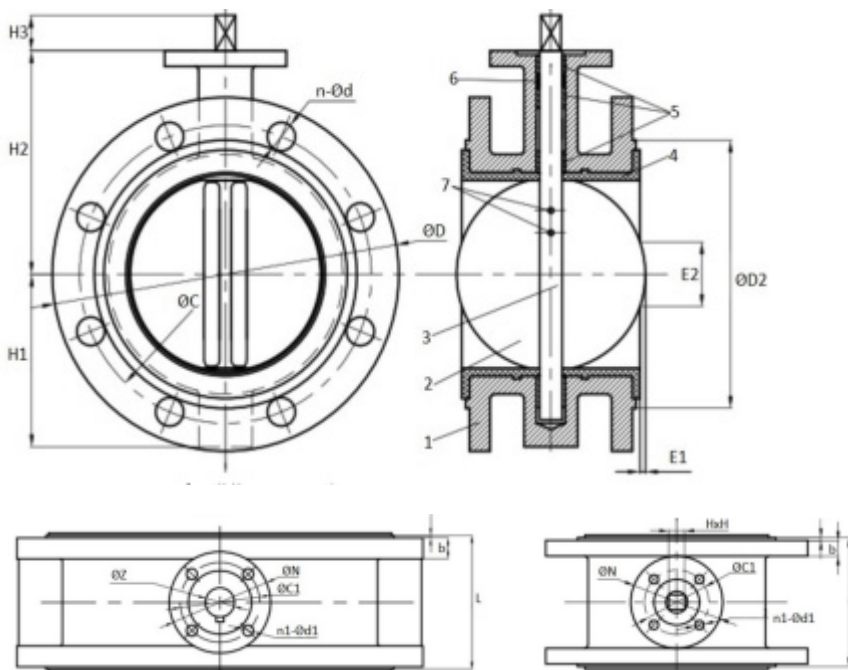
| AS2129 Table E | | | | | | | ISO5211 Top Flange | | | | Shaft Size | |
|----------------|-----|-----|---------|-----|-----|----|--------------------|-----|-----|--------|------------|-----|
| DN | L | ØC | n-Ød | H1 | H2 | H3 | Top Flange | ØN | ØC1 | n1-Ød1 | HxH | ØC6 |
| 150 | 140 | 235 | 8 - 22 | 139 | 180 | 29 | F07 | 90 | 70 | 4 - 10 | 14x14 | |
| 200 | 152 | 292 | 8 - 22 | 175 | 210 | 35 | F10 | 125 | 102 | 4 - 12 | 17x17 | |
| 250 | 165 | 356 | 12 - 22 | 204 | 246 | 35 | F10 | 125 | 102 | 4 - 12 | 22x22 | |
| 300 | 178 | 406 | 12 - 26 | 242 | 276 | 35 | F10 | 125 | 102 | 4 - 12 | 22x22 | |
| 350 | 190 | 470 | 12 - 26 | 253 | 312 | 45 | F10 | 125 | 102 | 4 - 12 | 22x22 | |
| 400 | 216 | 521 | 12 - 26 | 282 | 343 | 51 | F14 | 175 | 140 | 4 - 18 | | 33 |
| 450 | 222 | 584 | 16-26 | 323 | 381 | 51 | F14 | 175 | 140 | 4 - 18 | | 38 |
| 500 | 229 | 641 | 16-26 | 348 | 433 | 64 | F14 | 175 | 140 | 4 - 18 | | 41 |
| 600 | 267 | 756 | 16-33 | 416 | 518 | 70 | F16 | 210 | 165 | 4 - 22 | | 51 |

Flanged Gear Butterfly Valve 316 Stainless Steel Disc

| Size (mm) | Table E |
|-----------|------------|
| 150 | BVFNG150-E |
| 200 | BVFNG200-E |
| 250 | BVFNG250-E |
| 300 | BVFNG300-E |
| 350 | BVFNG350-E |
| 400 | BVFNG400-E |
| 450 | BVFNG450-E |
| 500 | BVFNG500-E |
| 600 | BVFNG600-E |

Flanged Lever Butterfly Valve 316 Stainless Steel Disc

| Size (mm) | Table E |
|-----------|------------|
| 150 | BVFNL150-E |
| 200 | BVFNL200-E |
| 250 | BVFNL250-E |
| 300 | BVFNL300-E |

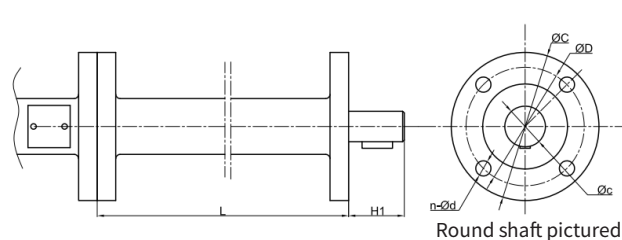
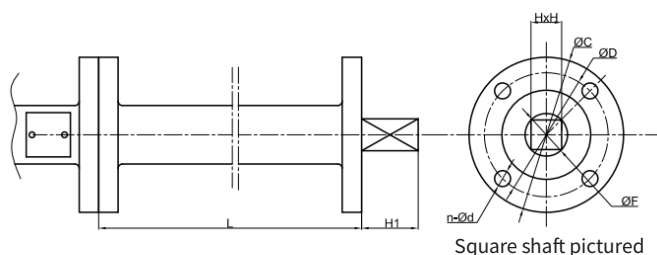


Butterfly Valve Extension Shaft



Square Shaft

| DN (mm) | L (m) | Code | H1 (mm) | Flange No. | ØC | ØD | n-Ød | ØF | H |
|----------|-------|----------------------|---------|------------|-----|-----|------|------|----|
| 50/65/80 | 1 | BVES050/065/080-1M | 29 | F05 | 65 | 50 | 4-8 | 12.1 | 9 |
| 50/65/80 | 1.5 | BVES050/065/080-1.5M | 29 | F05 | 65 | 50 | 4-8 | 12.1 | 9 |
| 50/65/80 | 2 | BVES050/065/080-2M | 29 | F05 | 65 | 50 | 4-8 | 12.1 | 9 |
| 100 | 1 | BVES100-1M | 29 | F07 | 90 | 70 | 4-10 | 14.1 | 11 |
| 100 | 1.5 | BVES100-1.5M | 29 | F07 | 90 | 70 | 4-10 | 14.1 | 11 |
| 100 | 2 | BVES100-2M | 29 | F07 | 90 | 70 | 4-10 | 14.1 | 11 |
| 125/150 | 1 | BVES125/150-1M | 29 | F07 | 90 | 70 | 4-10 | 18.1 | 14 |
| 125/150 | 1.5 | BVES125/150-1.5M | 29 | F07 | 90 | 70 | 4-10 | 18.1 | 14 |
| 125/150 | 2 | BVES125/150-2M | 29 | F07 | 90 | 70 | 4-10 | 18.1 | 14 |
| 200 | 1 | BVES200-1M | 35 | F10 | 125 | 102 | 4-12 | 22.1 | 17 |
| 200 | 1.5 | BVES200-1.5M | 35 | F10 | 125 | 102 | 4-12 | 22.1 | 17 |
| 200 | 2 | BVES200-2M | 35 | F10 | 125 | 102 | 4-12 | 22.1 | 17 |
| 250/300 | 1 | BVES250/300-1M | 35 | F10 | 125 | 102 | 4-12 | 28.2 | 22 |
| 250/300 | 1.5 | BVES250/300-1.5M | 35 | F10 | 125 | 102 | 4-12 | 28.2 | 22 |
| 250/300 | 2 | BVES250/300-2M | 35 | F10 | 125 | 102 | 4-12 | 28.2 | 22 |



Round Shaft

| DN (mm) | L (m) | Code | H1 (mm) | Flange No. | ØC | ØD | n-Ød | Øc |
|---------|-------|--------------|---------|------------|-----|-----|------|-------|
| 350 | 0.5 | BVES350-0.5M | 45 | F10 | 125 | 102 | 4-12 | 31.6 |
| 350 | 1 | BVES350-1M | 45 | F10 | 125 | 102 | 4-12 | 31.6 |
| 350 | 1.5 | BVES350-1.5M | 45 | F10 | 125 | 102 | 4-12 | 31.6 |
| 350 | 2 | BVES350-2M | 45 | F10 | 125 | 102 | 4-12 | 31.6 |
| 400 | 0.5 | BVES400-0.5M | 51.2 | F14 | 175 | 140 | 4-18 | 33.15 |
| 400 | 1 | BVES400-1M | 51.2 | F14 | 175 | 140 | 4-18 | 33.15 |
| 400 | 1.5 | BVES400-1.5M | 51.2 | F14 | 175 | 140 | 4-18 | 33.15 |
| 400 | 2 | BVES400-2M | 51.2 | F14 | 175 | 140 | 4-18 | 33.15 |
| 450 | 0.5 | BVES450-0.5M | 51.2 | F14 | 175 | 140 | 4-18 | 38 |
| 450 | 1 | BVES450-1M | 51.2 | F14 | 175 | 140 | 4-18 | 38 |
| 450 | 1.5 | BVES450-1.5M | 51.2 | F14 | 175 | 140 | 4-18 | 38 |
| 450 | 2 | BVES450-2M | 51.2 | F14 | 175 | 140 | 4-18 | 38 |
| 500 | 0.5 | BVES500-0.5M | 64.2 | F14 | 175 | 140 | 4-18 | 41.15 |
| 500 | 1 | BVES500-1M | 64.2 | F14 | 175 | 140 | 4-18 | 41.15 |
| 500 | 1.5 | BVES500-1.5M | 64.2 | F14 | 175 | 140 | 4-18 | 41.15 |
| 500 | 2 | BVES500-2M | 64.2 | F14 | 175 | 140 | 4-18 | 41.15 |
| 600 | 0.5 | BVES600-0.5M | 70.2 | F16 | 210 | 165 | 4-22 | 50.65 |
| 600 | 1 | BVES600-1M | 70.2 | F16 | 210 | 165 | 4-22 | 50.65 |
| 600 | 1.5 | BVES600-1.5M | 70.2 | F16 | 210 | 165 | 4-22 | 50.65 |
| 600 | 2 | BVES600-2M | 70.2 | F16 | 210 | 165 | 4-22 | 50.65 |

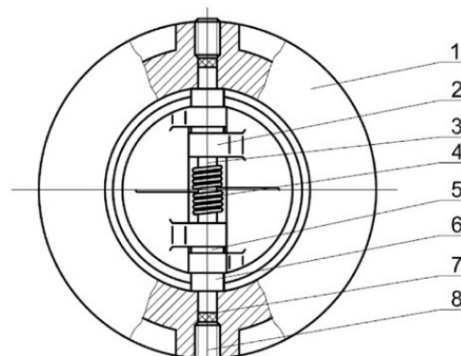
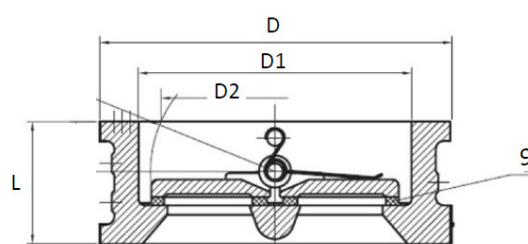
Wafer Check Valve - Dual Disc NBR

| AS2129 T/E | | | | DIN3202 | | |
|------------|-----|-----|-----|---------|-----|------|
| DN | D | D1 | D2 | L | R | t |
| 50 | 98 | 65 | 46 | 43 | - | - |
| 65 | 110 | 80 | 60 | 46 | - | - |
| 80 | 128 | 94 | 70 | 64 | 42 | 27.7 |
| 100 | 156 | 117 | 88 | 64 | 50 | 27.7 |
| 125 | 187 | 145 | 115 | 70 | 64 | 30.3 |
| 150 | 213 | 171 | 134 | 76 | 77 | 31.6 |
| 200 | 267 | 224 | 182 | 89 | 103 | 32.9 |
| 250 | 328 | 265 | 220 | 114 | 125 | 50.5 |
| 300 | 375 | 310 | 260 | 114 | 146 | 43.3 |
| 350 | 444 | 360 | 598 | 127 | 170 | 45.3 |
| 400 | 495 | 410 | 350 | 140 | 195 | 52.3 |
| 450 | 558 | 450 | 385 | 152 | 215 | 58.2 |
| 500 | 615 | 505 | 438 | 152 | 238 | 58.3 |
| 600 | 727 | 624 | 538 | 178 | - | - |

| Size (mm) | Imperial Size | Code |
|-----------|---------------|----------|
| 50 | 2" | CVWDN050 |
| 65 | 2 1/2" | CVWDN065 |
| 80 | 3" | CVWDN080 |
| 100 | 4" | CVWDN100 |
| 125 | 5" | CVWDN125 |
| 150 | 6" | CVWDN150 |
| 200 | 8" | CVWDN200 |
| 250 | 10" | CVWDN250 |
| 300 | 12" | CVWDN300 |
| 350 | 14" | CVWDN350 |
| 400 | 16" | CVWDN400 |
| 450 | 18" | CVWDN450 |
| 500 | 20" | CVWDN500 |
| 600 | 24" | CVWDN600 |

| Parts | Description | Material |
|-------|-------------|-----------|
| 1 | Body | Cast Iron |
| 2 | Disc | SS316 |
| 3 | Stem | SS316 |
| 4 | Spring | SS304 |
| 5 | Washer | PTFE |
| 6 | Washer | PTFE |
| 7 | O-Ring | EPDM |
| 8 | Hex Nut | SS304 |
| 9 | Seat | NBR* |

* Denotes available in NBR and EPDM

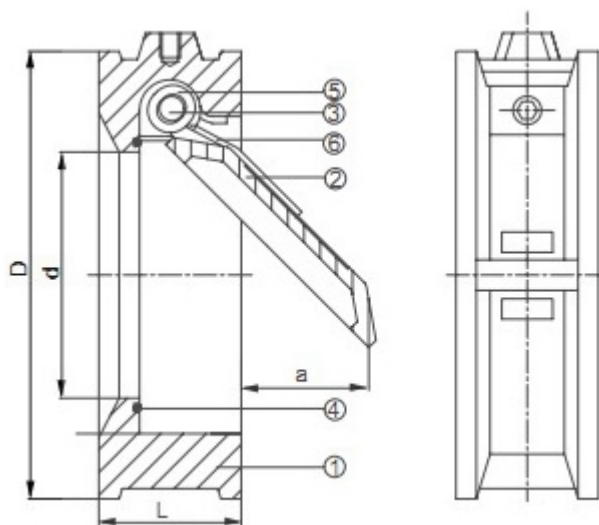


Wafer Check Valve - Single Disc NBR

| AS2129 Table E | | | | |
|----------------|------|-----|-----|-----|
| DN | L | D | a | d |
| 50 | 44.5 | 98 | 29 | 33 |
| 65 | 48 | 111 | 30 | 47 |
| 80 | 51 | 130 | 56 | 52 |
| 100 | 57 | 162 | 75 | 76 |
| 125 | 63.5 | 194 | 95 | 95 |
| 150 | 70 | 216 | 114 | 121 |
| 200 | 73 | 273 | 156 | 168 |
| 250 | 79 | 337 | 187 | 194 |
| 300 | 86 | 384 | 222 | 241 |
| 350 | 108 | 444 | 229 | 267 |
| 400 | 108 | 495 | 248 | 318 |
| 450 | 108 | 558 | 300 | 356 |
| 500 | 140 | 615 | 324 | 387 |
| 600 | 152 | 723 | 387 | 423 |

| Size (mm) | Imperial Size | Code | Weight (kg) |
|-----------|---------------|----------|-------------|
| 50 | 2" | CVWSN050 | 1.44 |
| 65 | 2 1/2" | CVWSN065 | 1.94 |
| 80 | 3" | CVWSN080 | 2.69 |
| 100 | 4" | CVWSN100 | 4.20 |
| 125 | 5" | CVWSN125 | 5.87 |
| 150 | 6" | CVWSN150 | 7.80 |
| 200 | 8" | CVWSN200 | 11.63 |
| 250 | 10" | CVWSN250 | 19.90 |
| 300 | 12" | CVWSN300 | 26.59 |
| 350 | 14" | CVWSN350 | 49.80 |
| 400 | 16" | CVWSN400 | 65.48 |
| 450 | 18" | CVWSN450 | 80.00 |
| 500 | 20" | CVWSN500 | 103.73 |
| 600 | 24" | CVWSN600 | 179.50 |

| Parts | Description | Material | Specification |
|-------|-------------|-----------------|---------------|
| 1 | Body | Cast Iron | A126B |
| 2 | Disc | Stainless Steel | A351 CF8M |
| 3 | Stem | Stainless Steel | A351 CF8M |
| 4 | Seat | EPDM | |
| 5 | Hinge Pin | Stainless Steel | AISI 410 |
| 6 | Spring | Stainless Steel | AISI 304 |

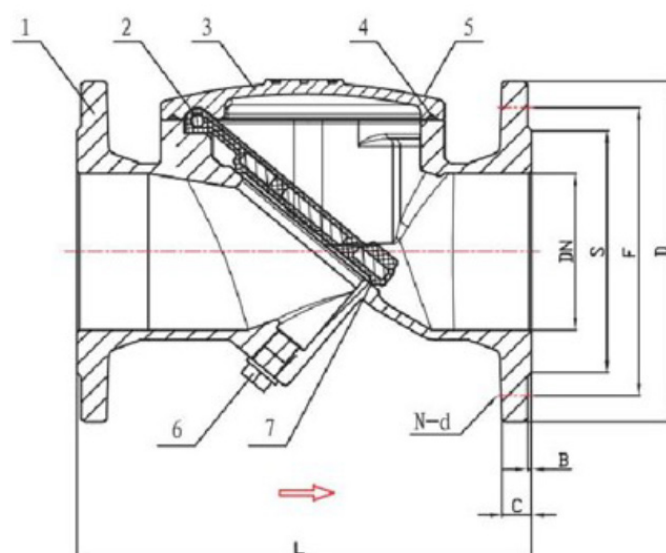


Resilient Seated Swing Check Valve

| Code | DN (mm) | Flange | S | F | D | B | C | L | N-d | Weight (kg) |
|-----------|---------|---------|-----|-----|-----|---|----|-----|---------|-------------|
| CVFRSD100 | 100 | TABLE D | 156 | 180 | 220 | 3 | 19 | 292 | 4 - 18 | 21 |
| CVFRSD250 | 250 | TABLE D | 319 | 355 | 405 | 3 | 22 | 622 | 4 - 18 | 122 |
| CVFRSE050 | 50 | TABLE E | 99 | 125 | 165 | 3 | 19 | 203 | 4 - 18 | - |
| CVFRSE065 | 65 | TABLE E | 118 | 145 | 185 | 3 | 19 | 216 | 8 - 18 | - |
| CVFRSE080 | 80 | TABLE E | 132 | 160 | 200 | 3 | 19 | 241 | 8 - 22 | 15 |
| CVFRSE100 | 100 | TABLE E | 156 | 180 | 220 | 3 | 19 | 292 | 8 - 22 | 21 |
| CVFRSE125 | 125 | TABLE E | - | - | - | - | - | - | - | - |
| CVFRSE150 | 150 | TABLE E | 211 | 240 | 285 | 3 | 19 | 356 | 12 - 22 | 40 |
| CVFRSE200 | 200 | TABLE E | 266 | 295 | 340 | 3 | 20 | 495 | 12 - 26 | 76 |
| CVFRSE250 | 250 | TABLE E | 319 | 355 | 405 | 3 | 22 | 622 | 4 - 18 | 122 |
| CVFRSE300 | 300 | TABLE E | 370 | 410 | 460 | 4 | 25 | 698 | 8 - 22 | 218 |

| Parts | Description | Material |
|-------|--------------|-------------------------|
| 1 | Body | FBE Coated Ductile Iron |
| 2 | Core Rod | 2Cr13 SS |
| 3 | Cover | FBE Coated Ductile Iron |
| 4 | Cover Gasket | NBR |
| 5 | Bolts | SS 304 |
| 6 | Drain Plug | BSPT SS 304 |
| 7 | Disc | NBR Coated Ductile Iron |

| DN | Pressure Rating | Media Temp |
|--------|-----------------|------------|
| 50-300 | 0 - 16 BAR | 0 - 80°C |



Brass Ball Valves

| Size (mm) | Code |
|-----------|----------|
| 8 | BVB2P008 |
| 10 | BVB2P010 |
| 15 | BVB2P015 |
| 20 | BVB2P020 |
| 25 | BVB2P025 |
| 32 | BVB2P032 |
| 40 | BVB2P040 |
| 50 | BVB2P050 |
| 65 | BVB2P065 |
| 80 | BVB2P080 |
| 100 | BVB2P100 |

Lockable Brass Ball Valves

| Size (mm) | Code |
|-----------|-----------|
| 15 | BVB2P015L |
| 20 | BVB2P020L |
| 25 | BVB2P025L |
| 32 | BVB2P032L |
| 40 | BVB2P040L |
| 50 | BVB2P050L |
| 65 | BVB2P065L |
| 80 | BVB2P080L |
| 100 | BVB2P100L |

Poly Ball Valves

| Size (mm) | Code |
|-----------|----------|
| 15 | BVP1P015 |
| 20 | BVP1P020 |
| 25 | BVP1P025 |
| 32 | BVP1P032 |
| 40 | BVP1P040 |
| 50 | BVP1P050 |



1 Piece Stainless Steel Ball Valves

| Size (mm) | Code |
|-----------|----------|
| 8 | BVS1P008 |
| 10 | BVS1P010 |
| 15 | BVS1P015 |
| 20 | BVS1P020 |
| 25 | BVS1P025 |
| 32 | BVS1P032 |
| 40 | BVS1P040 |
| 50 | BVS1P050 |

2 Piece Stainless Steel Ball Valves

| Size (mm) | Code |
|-----------|----------|
| 8 | BVS2P008 |
| 10 | BVS2P010 |
| 15 | BVS2P015 |
| 20 | BVS2P020 |
| 25 | BVS2P025 |
| 32 | BVS2P032 |
| 40 | BVS2P040 |
| 50 | BVS2P050 |
| 65 | BVS2P065 |
| 80 | BVS2P080 |
| 100 | BVS2P100 |

3 Piece Stainless Steel Ball Valves

| Size (mm) | Code |
|-----------|----------|
| 8 | BVS3P008 |
| 10 | BVS3P010 |
| 15 | BVS3P015 |
| 20 | BVS3P020 |
| 25 | BVS3P025 |
| 32 | BVS3P032 |
| 40 | BVS3P040 |
| 50 | BVS3P050 |
| 65 | BVS3P065 |
| 80 | BVS3P080 |
| 100 | BVS3P100 |

Ductile Iron Tapping Saddles



Features:

- Ductile iron GGG50 material with Australian coating
- PN10, PN16 working pressure
- Equipped with stainless steel bolts, nuts and washers
- EPDM rubber seals



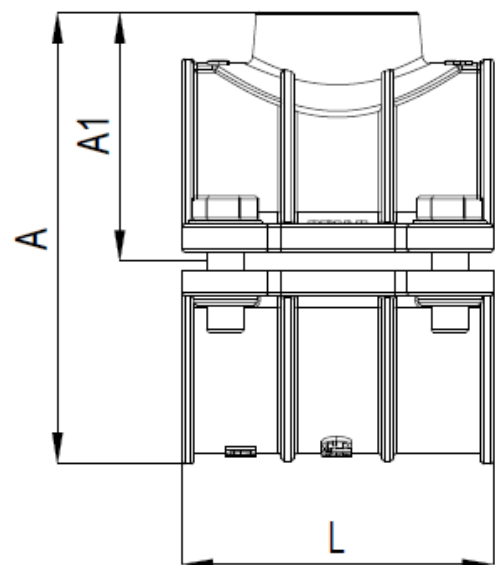
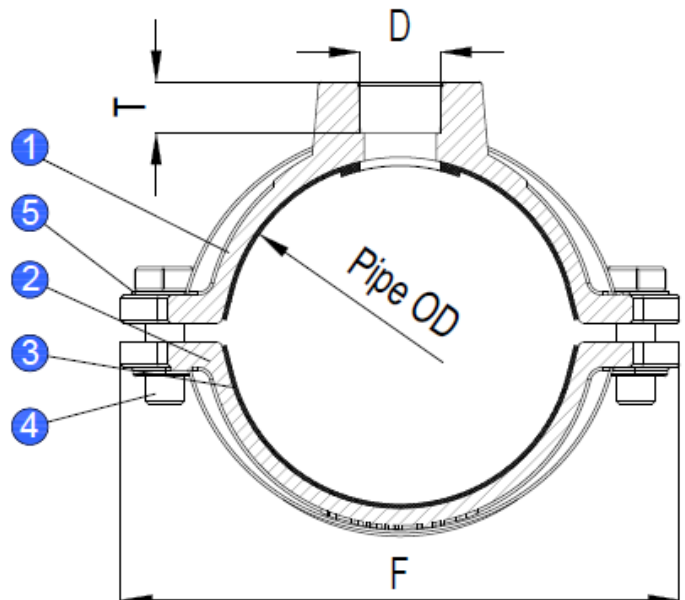
Ductile Iron Tapping Saddles

| Pipe OD (mm) | Code | D (Inch) | L (mm) | A (mm) | A1 (mm) | F (mm) | T (mm) | Bolt Size |
|--------------|-------------|----------|--------|--------|---------|--------|--------|-----------|
| 50 | TSD050X3/4 | 3/4 | 80 | 84 | 48 | 114 | 18 | M10 x 35 |
| 50 | TSD050X1 | 1 | 80 | 84 | 48 | 114 | 18 | M10 x 35 |
| 63 | TSD063X3/4 | 3/4 | 90 | 97 | 54 | 127 | 18 | M10 x 35 |
| 63 | TSD063X1 | 1 | 90 | 97 | 54 | 127 | 18 | M10 x 35 |
| 63 | TSD063X11/4 | 1 1/4 | 90 | 97 | 54 | 127 | 18 | M10 x 35 |
| 63 | TSD063X11/2 | 1 1/2 | 90 | 97 | 54 | 127 | 18 | M10 x 35 |
| 63 | TSD063X2 | 2 | 90 | 97 | 54 | 127 | 18 | M10 x 35 |
| 75 | TSD075X3/4 | 3/4 | 100 | 110 | 61 | 144 | 18 | M10 x 35 |
| 75 | TSD075X1 | 1 | 100 | 110 | 61 | 144 | 18 | M10 x 35 |
| 75 | TSD075X11/4 | 1 1/4 | 100 | 110 | 61 | 144 | 18 | M10 x 35 |
| 75 | TSD075X11/2 | 1 1/2 | 100 | 110 | 61 | 144 | 18 | M10 x 35 |
| 75 | TSD075X2 | 2 | 100 | 110 | 61 | 144 | 18 | M10 x 35 |
| 90 | TSD090X3/4 | 3/4 | 100 | 124 | 70 | 156 | 20 | M10 x 35 |
| 90 | TSD090X1 | 1 | 100 | 124 | 70 | 156 | 20 | M10 x 35 |
| 90 | TSD090X11/4 | 1 1/4 | 100 | 124 | 70 | 156 | 20 | M10 x 35 |
| 90 | TSD090X11/2 | 1 1/2 | 100 | 124 | 70 | 156 | 20 | M10 x 35 |
| 90 | TSD090X2 | 2 | 100 | 124 | 70 | 156 | 20 | M10 x 35 |
| 110 | TSD110X3/4 | 3/4 | 110 | 144 | 80 | 178 | 20 | M10 x 35 |
| 110 | TSD110X1 | 1 | 110 | 144 | 80 | 178 | 20 | M10 x 35 |
| 110 | TSD110X11/4 | 1 1/4 | 110 | 144 | 80 | 178 | 20 | M10 x 35 |
| 110 | TSD110X11/2 | 1 1/2 | 110 | 144 | 80 | 178 | 20 | M10 x 35 |
| 110 | TSD110X2 | 2 | 110 | 144 | 80 | 178 | 20 | M10 x 35 |
| 125 | TSD125X1 | 1 | 110 | 160 | 90 | 197 | 20 | M12 x 35 |
| 125 | TSD125X11/2 | 1 1/2 | 110 | 160 | 90 | 197 | 20 | M12 x 35 |
| 125 | TSD125X2 | 2 | 110 | 160 | 90 | 197 | 20 | M12 x 35 |
| 140 | TSD140X1 | 1 | 110 | 176 | 97 | 212 | 20 | M12 x 35 |
| 140 | TSD140X2 | 2 | 110 | 176 | 97 | 212 | 20 | M12 x 35 |
| 160 | TSD160X1 | 1 | 125 | 198 | 109 | 233 | 20 | M12 x 35 |
| 160 | TSD160X11/2 | 1 1/2 | 125 | 198 | 109 | 233 | 20 | M12 x 35 |
| 160 | TSD160X2 | 2 | 125 | 198 | 109 | 233 | 20 | M12 x 35 |
| 200 | TSD200X1 | 1 | 140 | 240 | 131 | 282 | 20 | M14 x 40 |
| 200 | TSD200X11/2 | 1 1/2 | 140 | 240 | 131 | 282 | 20 | M14 x 40 |
| 200 | TSD200X2 | 2 | 140 | 240 | 131 | 282 | 20 | M14 x 40 |
| 200 | TSD200X3 | 3 | 140 | 240 | 131 | 282 | 20 | M14 x 40 |
| 225 | TSD225X1 | 1 | 125 | 266 | 144 | 307 | 20 | M14 x 40 |
| 225 | TSD225X11/2 | 1 1/2 | 125 | 266 | 144 | 307 | 20 | M14 x 40 |
| 225 | TSD225X2 | 2 | 125 | 266 | 144 | 307 | 20 | M14 x 40 |
| 225 | TSD225X3 | 3 | 125 | 266 | 144 | 307 | 20 | M14 x 40 |

| Pipe OD (mm) | Code | D (Inch) | L (mm) | A (mm) | A1 (mm) | F (mm) | T (mm) | Bolt Size |
|--------------|--------------|----------|--------|--------|---------|--------|--------|-----------|
| 250 | TSD250X1 | 1 | 140 | 291 | 156 | 334 | 20 | M14 x 40 |
| 250 | TSD250X1 1/2 | 1 1/2 | 140 | 291 | 156 | 334 | 20 | M14 x 40 |
| 250 | TSD250X2 | 2 | 140 | 291 | 156 | 334 | 20 | M14 x 40 |
| 250 | TSD250X3 | 3 | 140 | 291 | 156 | 334 | 20 | M14 x 40 |
| 315 | TSD315X1 | 1 | 140 | 356 | 189 | 400 | 20 | M14 x 40 |
| 315 | TSD315X1 1/2 | 1 1/2 | 140 | 356 | 189 | 400 | 20 | M14 x 40 |
| 315 | TSD315X2 | 2 | 140 | 356 | 189 | 400 | 20 | M14 x 40 |
| 315 | TSD315X3 | 3 | 140 | 356 | 189 | 400 | 20 | M14 x 40 |

Material Specifications

1. Upper Body - Ductile Iron (GGG50)
2. Under Body - Ductile Iron (GGG50)
3. Gasket - Rubber (EPDM)
4. Bolts - SS304



Accessories



We stock an excellent range of galvanised and stainless steel rubber expansion joints, including Table D, Table E, ANSI 150 and PN16.



Single Sphere Rubber Expansion Joint

Table D PN16

| Type | Nominal Diameter | | Length | Allowable Movement (mm) | | | | Max. Pressure | Vacuum | Weight | |
|---------|------------------|-----|--------|-------------------------|--------|------------|------------|---------------|--------|--------|---------|
| | EPDM | mm | | Inch | L (mm) | Axial Comp | Axial Ext. | | | | Lateral |
| REJD100 | | 100 | 4" | 135 | 18 | 10 | 12 | 15° | 16 | 660 | 7.1 |
| REJD125 | | 125 | 5" | 170 | 18 | 10 | 12 | 15° | 16 | 660 | 9.7 |
| REJD150 | | 150 | 6" | 180 | 18 | 14 | 12 | 15° | 16 | 660 | 13.2 |
| REJD200 | | 200 | 8" | 205 | 25 | 14 | 22 | 15° | 16 | 660 | 16.9 |
| REJD250 | | 250 | 10" | 240 | 25 | 14 | 22 | 15° | 10 | 660 | 24.2 |
| REJD300 | | 300 | 12" | 260 | 25 | 16 | 22 | 15° | 10 | 660 | 33.4 |
| REJD350 | | 350 | 14" | 265 | 25 | 16 | 22 | 15° | 10 | 660 | 42.8 |
| REJD400 | | 400 | 16" | 265 | 25 | 16 | 22 | 15° | 7 | 660 | 51 |
| REJD450 | | 450 | 18" | 265 | 25 | 16 | 22 | 15° | 7 | 660 | 63.2 |
| REJD500 | | 500 | 20" | 265 | 25 | 16 | 22 | 15° | 7 | 660 | 85.7 |
| REJD600 | | 600 | 24" | 265 | 25 | 16 | 22 | 15° | 7 | 660 | 107.1 |

Table E PN16

| Type | Nominal Diameter | | Length | Allowable Movement (mm) | | | | Max. Pressure | Vacuum | Weight | | | |
|----------|------------------|-----------|--------|-------------------------|--------|------|--------|---------------|--------|--------|------------|------------|---------|
| | EPDM | NBR | | SS316 EPDM | mm | Inch | L (mm) | | | | Axial Comp | Axial Ext. | Lateral |
| REJE025* | | | | 25 | 1" | 95 | 6 | 8 | 8 | 15° | 16 | 660 | 3 |
| REJE032* | | | | 32 | 1 1/4" | 95 | 8 | 4 | 8 | 15° | 16 | 660 | 3 |
| REJE040* | | | | 40 | 1 1/2" | 95 | 8 | 4 | 8 | 15° | 16 | 660 | 3.7 |
| REJE050* | REJNE050* | REJSE050* | | 50 | 2" | 105 | 8 | 5 | 8 | 15° | 16 | 660 | 4.3 |
| REJE065* | REJNE065* | REJSE065* | | 65 | 2 1/2" | 115 | 12 | 6 | 10 | 15° | 16 | 660 | 5.4 |
| REJE080* | REJNE080* | REJSE080* | | 80 | 3" | 130 | 12 | 6 | 10 | 15° | 16 | 660 | 6.4 |
| REJE100 | REJNE100 | REJSE100 | | 100 | 4" | 135 | 18 | 10 | 12 | 15° | 16 | 660 | 7.1 |
| REJE125* | REJNE125* | REJSE125* | | 125 | 5" | 170 | 18 | 10 | 12 | 15° | 16 | 660 | 9.7 |
| REJE150 | REJNE150 | REJSE150 | | 150 | 6" | 180 | 18 | 14 | 12 | 15° | 16 | 660 | 13.2 |
| REJE200 | REJNE200 | REJSE200 | | 200 | 8" | 205 | 25 | 14 | 22 | 15° | 16 | 660 | 16.9 |
| REJE250 | REJNE250 | REJSE250 | | 250 | 10" | 240 | 25 | 14 | 22 | 15° | 10 | 660 | 24.2 |
| REJE300 | REJNE300 | REJSE300 | | 300 | 12" | 260 | 25 | 16 | 22 | 15° | 10 | 660 | 33.4 |
| REJE350 | | | | 350 | 14" | 265 | 25 | 16 | 22 | 15° | 10 | 660 | 42.8 |
| REJE400 | | | | 400 | 16" | 265 | 25 | 16 | 22 | 15° | 7 | 660 | 51 |
| REJE450 | | | | 450 | 18" | 265 | 25 | 16 | 22 | 15° | 7 | 660 | 63.2 |
| REJE500 | | | | 500 | 20" | 265 | 25 | 16 | 22 | 15° | 7 | 660 | 85.7 |
| REJE600 | | | | 600 | 24" | 265 | 25 | 16 | 22 | 15° | 7 | 660 | 107.1 |

* Table D/E

Single Sphere Rubber Expansion Joint

ANSI 150 PN16

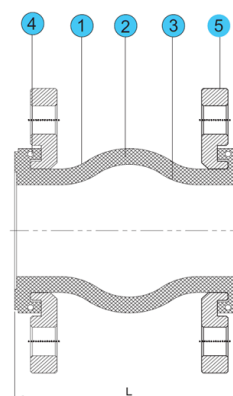
| Type | | Nominal Diameter | | Length | Allowable Movement (mm) | | | | Max. Pressure | Vacuum | Weight |
|---------|----------|------------------|--------|--------|-------------------------|------------|---------|-------------|---------------|--------|--------|
| EPDM | NBR | mm | Inch | L (mm) | Axial Comp | Axial Ext. | Lateral | Angular (°) | Bar | mm Hg | kg |
| REJA025 | | 25 | 1" | 95 | 6 | 8 | 8 | 15° | 16 | 660 | 3 |
| REJA032 | | 32 | 1 1/4" | 95 | 8 | 4 | 8 | 15° | 16 | 660 | 3 |
| REJA040 | | 40 | 1 1/2" | 95 | 8 | 4 | 8 | 15° | 16 | 660 | 3.7 |
| REJA050 | REJNA050 | 50 | 2" | 105 | 8 | 5 | 8 | 15° | 16 | 660 | 4.3 |
| REJA065 | REJNA065 | 65 | 2 1/2" | 115 | 12 | 6 | 10 | 15° | 16 | 660 | 5.4 |
| REJA080 | REJNA080 | 80 | 3" | 130 | 12 | 6 | 10 | 15° | 16 | 660 | 6.4 |
| REJA100 | REJNA100 | 100 | 4" | 135 | 18 | 10 | 12 | 15° | 16 | 660 | 7.1 |
| REJA125 | REJNA125 | 125 | 5" | 170 | 18 | 10 | 12 | 15° | 16 | 660 | 9.7 |
| REJA150 | REJNA150 | 150 | 6" | 180 | 18 | 14 | 12 | 15° | 16 | 660 | 13.2 |
| REJA200 | REJNA200 | 200 | 8" | 205 | 25 | 14 | 22 | 15° | 16 | 660 | 16.9 |
| REJA250 | REJNA250 | 250 | 10" | 240 | 25 | 14 | 22 | 15° | 10 | 660 | 24.2 |
| REJA300 | REJNA300 | 300 | 12" | 260 | 25 | 16 | 22 | 15° | 10 | 660 | 33.4 |
| REJA350 | REJNA350 | 350 | 14" | 265 | 25 | 16 | 22 | 15° | 10 | 660 | 42.8 |
| REJA400 | REJNA400 | 400 | 16" | 265 | 25 | 16 | 22 | 15° | 7 | 660 | 51 |
| REJA450 | REJNA450 | 450 | 18" | 265 | 25 | 16 | 22 | 15° | 7 | 660 | 63.2 |
| REJA500 | REJNA500 | 500 | 20" | 265 | 25 | 16 | 22 | 15° | 7 | 660 | 85.7 |
| REJA600 | REJNA600 | 600 | 24" | 265 | 25 | 16 | 22 | 15° | 7 | 660 | 107.1 |

Features:

- Allow for four-way movement
- Precision moulded of synthetic rubber and nylon
- Excellent ability to absorb vibration and sound
- Perfect corrosion resistance
- Using floating flange, easy to install
- Suitable for axial, lateral or angular movements

Rubber expansion joints can efficiently isolate vibration and noise, which is ideal for air conditioning and sanitary equipment, pumps, refrigerators, blowers, marine piping systems, feed water, drainage systems, and in such industries as chemical plants, shipbuilding, power generation, building and waste disposal plants.

Our rubber expansion joints are made in accordance with the guidelines of the Fluid Sealing Association (FSA) Non-metallic Pressure Piping Expansion Joints.

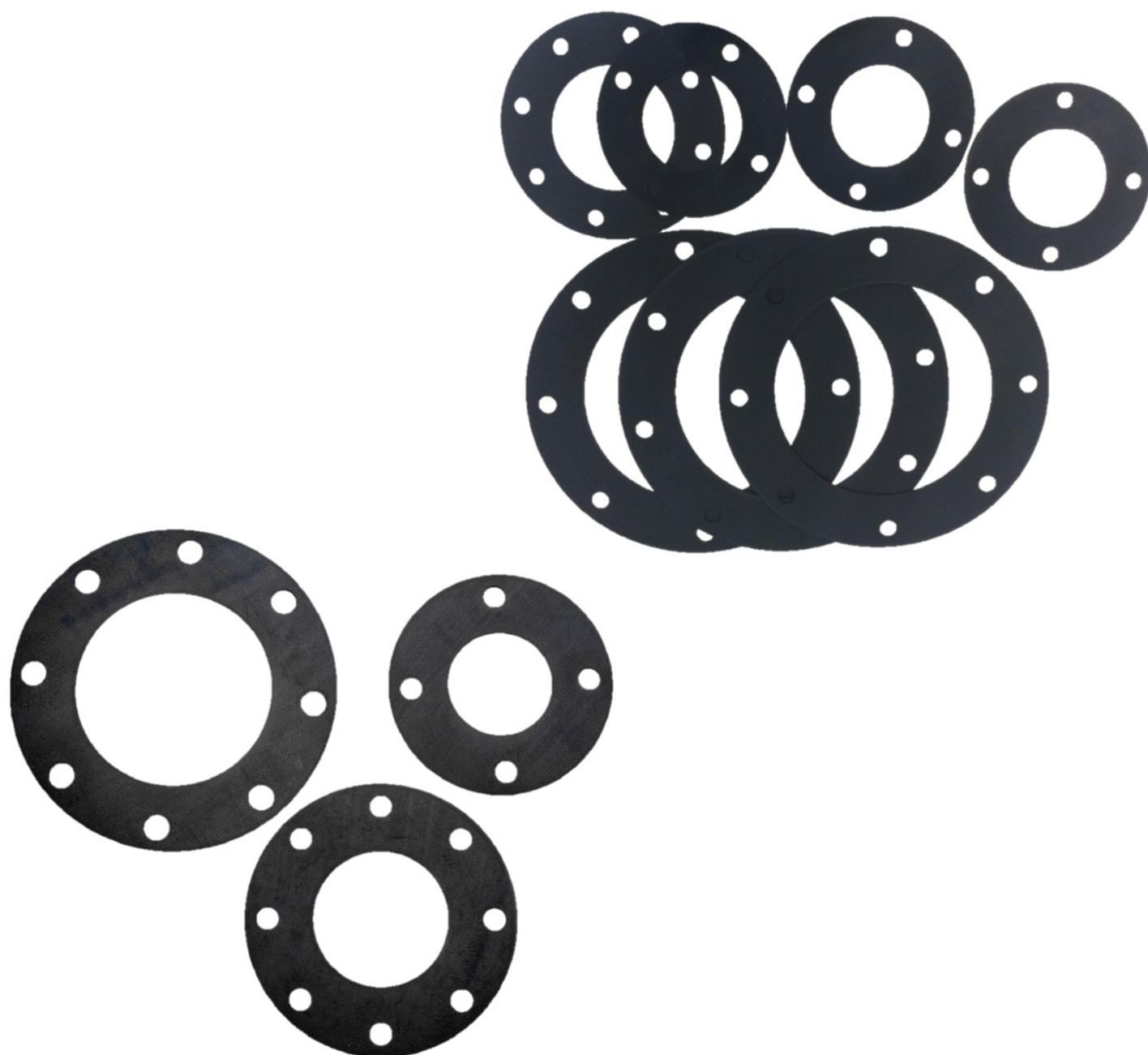


| Parts | Description | Material |
|-------|--------------------|--------------|
| 1 | Cover | EPDM |
| 2 | Reinforcing Fabric | Nylon |
| 3 | Tube | EPDM |
| 4 | Retain Rings | Steel |
| 5 | Flange | Carbon Steel |

| Specification: | | |
|----------------------|--------------|---------|
| | DN25 - DN300 | DN350 + |
| Burst Pressure (bar) | 55 Bar | 40 Bar |



Gaskets



Insertion and EPDM rubber stub and full face gaskets in a large range of sizes.

3mm Full Face Insertion Rubber Table D

| Size (mm) | Imperial Size (Inch) | Code | OD (mm) | ID (mm) | PCD (mm) | Bolt Holes NO. x DIA |
|-----------|----------------------|-----------|---------|---------|----------|----------------------|
| 25mm | 1" | GFND/E025 | 115 | 35 | 83 | 4X14 |
| 32mm | 1 1/4" | GFND/E032 | 120 | 43 | 87 | 4X14 |
| 40mm | 1 1/2" | GFND/E040 | 135 | 50 | 98 | 4X14 |
| 50mm | 2" | GFND/E050 | 150 | 62 | 114 | 4X18 |
| 65mm | 2 1/4" | GFND/E065 | 165 | 75 | 127 | 4X18 |
| 80mm | 3" | GFND/E080 | 185 | 91 | 146 | 4X18 |
| 100mm | 4" | GFND100 | 215 | 116 | 178 | 4X18 |
| 125mm | 5" | GFND/E125 | 255 | 144 | 210 | 8X18 |
| 150mm | 6" | GFND150 | 280 | 171 | 235 | 8X18 |
| 200mm | 8" | GFND200 | 335 | 221 | 292 | 8X18 |
| 250mm | 10" | GFND250 | 405 | 276 | 356 | 8X22 |
| 300mm | 12" | GFND300 | 455 | 327 | 406 | 12X22 |
| 350mm | 14" | GFND/E350 | 525 | 359 | 470 | 12X26 |
| 400mm | 16" | GFND/E400 | 580 | 410 | 521 | 12X26 |
| 450mm | 18" | GFND450 | 640 | 462 | 584 | 12X26 |
| 500mm | 20" | GFND/E500 | 705 | 513 | 641 | 16X26 |
| 550mm | 22" | GFND/E550 | 760 | 564 | 699 | 16X30 |
| 600mm | 24" | GFND600 | 825 | 616 | 756 | 16X30 |
| 700mm | 28" | GFND700 | 910 | 718 | 845 | 20X30 |
| 800mm | 32" | GFND/E800 | 1060 | 819 | 984 | 20X36 |
| 900mm | 36" | GFND/E900 | 1175 | 921 | 1092 | 24X36 |

3mm Full Face Insertion Rubber Table E

| Size (mm) | Imperial Size (Inch) | Code | OD (mm) | ID (mm) | PCD (mm) | Bolt Holes NO. x DIA |
|-----------|----------------------|-----------|---------|---------|----------|----------------------|
| 25mm | 1" | GFND/E025 | 115 | 35 | 83 | 4X14 |
| 32mm | 1 1/4" | GFND/E032 | 120 | 43 | 87 | 4X14 |
| 40mm | 1 1/2" | GFND/E040 | 135 | 50 | 98 | 4X14 |
| 50mm | 2" | GFND/E050 | 150 | 62 | 114 | 4X18 |
| 65mm | 2 1/4" | GFND/E065 | 165 | 75 | 127 | 4X18 |
| 80mm | 3" | GFND/E080 | 185 | 91 | 146 | 4X18 |
| 100mm | 4" | GFNE100 | 215 | 116 | 178 | 8X18 |
| 125mm | 5" | GFND/E125 | 255 | 144 | 210 | 8X18 |
| 150mm | 6" | GFNE150 | 280 | 171 | 235 | 8X22 |
| 200mm | 8" | GFNE200 | 335 | 221 | 292 | 8X22 |
| 250mm | 10" | GFNE250 | 405 | 276 | 356 | 12X22 |
| 300mm | 12" | GFNE300 | 455 | 327 | 406 | 12X26 |
| 350mm | 14" | GFND/E350 | 525 | 359 | 470 | 12X26 |
| 400mm | 16" | GFND/E400 | 580 | 410 | 521 | 12X26 |
| 450mm | 18" | GFNE450 | 640 | 462 | 584 | 16X26 |
| 500mm | 20" | GFND/E500 | 705 | 513 | 641 | 16X26 |
| 550mm | 22" | GFND/E550 | 760 | 564 | 699 | 16X30 |
| 600mm | 24" | GFNE600 | 825 | 616 | 756 | 16X33 |
| 700mm | 28" | GFNE700 | 910 | 718 | 845 | 20X33 |
| 800mm | 32" | GFND/E800 | 1060 | 819 | 984 | 20X36 |
| 900mm | 36" | GFND/E900 | 1175 | 921 | 1092 | 24X36 |

3mm Full Face Insertion Rubber ANSI 150

| Size (mm) | Imperial Size (Inch) | Code | OD (mm) | ID (mm) | PCD (mm) | Bolt Holes NO. x DIA |
|-----------|----------------------|---------|---------|---------|----------|----------------------|
| 25mm | 1" | GFNA025 | 108 | 34 | 79 | 4X16 |
| 32mm | 1 1/4" | GFNA032 | 117 | 42 | 88 | 4X16 |
| 40mm | 1 1/2" | GFNA040 | 127 | 48 | 98 | 4X16 |
| 50mm | 2" | GFNA050 | 152 | 60 | 120 | 4X20 |
| 65mm | 2 1/4" | GFNA065 | 178 | 74 | 139 | 4X20 |
| 80mm | 3" | GFNA080 | 190 | 90 | 152 | 4X20 |
| 100mm | 4" | GFNA100 | 229 | 114 | 190 | 8X19 |
| 125mm | 5" | GFNA125 | 254 | 143 | 215 | 8X23 |
| 150mm | 6" | GFNA150 | 279 | 170 | 241 | 8X23 |
| 200mm | 8" | GFNA200 | 343 | 221 | 298 | 8X23 |
| 250mm | 10" | GFNA250 | 406 | 276 | 361 | 12X26 |
| 300mm | 12" | GFNA300 | 482 | 327 | 431 | 12X26 |
| 350mm | 14" | GFNA350 | 533 | 359 | 476 | 12X29 |
| 400mm | 16" | GFNA400 | 597 | 410 | 539 | 16X29 |
| 450mm | 18" | GFNA450 | 635 | 461 | 578 | 16X32 |
| 500mm | 20" | GFNA500 | 699 | 513 | 635 | 20X32 |
| 550mm | 22" | GFNA550 | | | | |
| 600mm | 24" | GFNA600 | 813 | 616 | 749 | 20X35 |
| 700mm | 28" | GFNA700 | | | | |
| 800mm | 32" | GFNA800 | | | | |
| 900mm | 36" | GFNA900 | | | | |

3mm Full Face EPDM Rubber Table D

| Size (mm) | Imperial Size (Inch) | Code | OD (mm) | ID (mm) | PCD (mm) | Bolt Holes NO. x DIA |
|-----------|----------------------|-----------|---------|---------|----------|----------------------|
| 25mm | 1" | GFED/E025 | 115 | 35 | 83 | 4X14 |
| 32mm | 1 1/4" | GFED/E032 | 120 | 43 | 87 | 4X14 |
| 40mm | 1 1/2" | GFED/E040 | 135 | 50 | 98 | 4X14 |
| 50mm | 2" | GFED/E050 | 150 | 62 | 114 | 4X18 |
| 65mm | 2 1/4" | GFED/E065 | 165 | 75 | 127 | 4X18 |
| 80mm | 3" | GFED/E080 | 185 | 91 | 146 | 4X18 |
| 100mm | 4" | GFED100 | 215 | 116 | 178 | 4X18 |
| 125mm | 5" | GFED/E125 | 255 | 144 | 210 | 8X18 |
| 150mm | 6" | GFED150 | 280 | 171 | 235 | 8X18 |
| 200mm | 8" | GFED200 | 335 | 221 | 292 | 8X18 |
| 250mm | 10" | GFED250 | 405 | 276 | 356 | 8X22 |
| 300mm | 12" | GFED300 | 455 | 327 | 406 | 12X22 |
| 350mm | 14" | GFED/E350 | 525 | 359 | 470 | 12X26 |
| 400mm | 16" | GFED/E400 | 580 | 410 | 521 | 12X26 |
| 450mm | 18" | GFED450 | 640 | 462 | 584 | 12X26 |
| 500mm | 20" | GFED/E500 | 705 | 513 | 641 | 16X26 |
| 550mm | 22" | GFED/E550 | 760 | 564 | 699 | 16X30 |
| 600mm | 24" | GFED600 | 825 | 616 | 756 | 16X30 |
| 700mm | 28" | GFED700 | 910 | 718 | 845 | 20X30 |
| 800mm | 32" | GFED/E800 | 1060 | 819 | 984 | 20X36 |
| 900mm | 36" | GFED/E900 | 1175 | 921 | 1092 | 24X36 |

3mm Full Face EPDM Rubber Table E

| Size (mm) | Imperial Size (Inch) | Code | OD (mm) | ID (mm) | PCD (mm) | Bolt Holes NO. x DIA |
|-----------|----------------------|-----------|---------|---------|----------|----------------------|
| 25mm | 1" | GFED/E025 | 115 | 35 | 83 | 4X14 |
| 32mm | 1 1/4" | GFED/E032 | 120 | 43 | 87 | 4X14 |
| 40mm | 1 1/2" | GFED/E040 | 135 | 50 | 98 | 4X14 |
| 50mm | 2" | GFED/E050 | 150 | 62 | 114 | 4X18 |
| 65mm | 2 1/4" | GFED/E065 | 165 | 75 | 127 | 4X18 |
| 80mm | 3" | GFED/E080 | 185 | 91 | 146 | 4X18 |
| 100mm | 4" | GFEE100 | 215 | 116 | 178 | 8X18 |
| 125mm | 5" | GFED/E125 | 255 | 144 | 210 | 8X18 |
| 150mm | 6" | GFEE150 | 280 | 171 | 235 | 8X22 |
| 200mm | 8" | GFEE200 | 335 | 221 | 292 | 8X22 |
| 250mm | 10" | GFEE250 | 405 | 276 | 356 | 12X22 |
| 300mm | 12" | GFEE300 | 455 | 327 | 406 | 12X26 |
| 350mm | 14" | GFED/E350 | 525 | 359 | 470 | 12X26 |
| 400mm | 16" | GFED/E400 | 580 | 410 | 521 | 12X26 |
| 450mm | 18" | GFEE450 | 640 | 462 | 584 | 16X26 |
| 500mm | 20" | GFED/E500 | 705 | 513 | 641 | 16X26 |
| 550mm | 22" | GFED/E550 | 760 | 564 | 699 | 16X30 |
| 600mm | 24" | GFEE600 | 825 | 616 | 756 | 16X33 |
| 700mm | 28" | GFEE700 | 910 | 718 | 845 | 20X33 |
| 800mm | 32" | GFED/E800 | 1060 | 819 | 984 | 20X36 |
| 900mm | 36" | GFED/E900 | 1175 | 921 | 1092 | 24X36 |

3mm Full Face EPDM Rubber ANSI 150

| Size (mm) | Imperial Size (Inch) | Code | OD (mm) | ID (mm) | PCD (mm) | Bolt Holes NO. x DIA |
|-----------|----------------------|---------|---------|---------|----------|----------------------|
| 25mm | 1" | GFEA025 | 108 | 34 | 79 | 4X16 |
| 32mm | 1 1/4" | GFEA032 | 117 | 42 | 88 | 4X16 |
| 40mm | 1 1/2" | GFEA040 | 127 | 48 | 98 | 4X16 |
| 50mm | 2" | GFEA050 | 152 | 60 | 120 | 4X20 |
| 65mm | 2 1/4" | GFEA065 | 178 | 73 | 139 | 4X20 |
| 80mm | 3" | GFEA080 | 190 | 89 | 152 | 4X20 |
| 100mm | 4" | GFEA100 | 229 | 114 | 190 | 8X19 |
| 125mm | 5" | GFEA125 | 254 | 141 | 215 | 8X23 |
| 150mm | 6" | GFEA150 | 279 | 168 | 241 | 8X23 |
| 200mm | 8" | GFEA200 | 343 | 219 | 298 | 8X23 |
| 250mm | 10" | GFEA250 | 406 | 273 | 361 | 12X26 |
| 300mm | 12" | GFEA300 | 482 | 324 | 431 | 12X26 |
| 350mm | 14" | GFEA350 | 533 | 356 | 476 | 12X29 |
| 400mm | 16" | GFEA400 | 597 | 406 | 539 | 16X29 |
| 450mm | 18" | GFEA450 | 635 | 457 | 578 | 16X32 |
| 500mm | 20" | GFEA500 | 699 | 508 | 635 | 20X32 |
| 550mm | 22" | GFEA550 | 813 | 610 | 749 | 20X35 |
| 600mm | 24" | GFEA600 | | | | |
| 700mm | 28" | GFEA700 | | | | |
| 800mm | 32" | GFEA800 | | | | |
| 900mm | 36" | GFEA900 | | | | |

3mm Stub Insertion Rubber Table D

| Size (mm) | Imperial Size (Inch) | Code | OD (mm) | ID (mm) | PCD (mm) | Bolt Holes NO. x DIA |
|-----------|----------------------|-------------|---------|---------|----------|----------------------|
| 100mm | 4" | GSND100 | 215 | 98 | 178 | 4X18 |
| 125mm | 5" | GSND/E125 | 255 | 111 | 210 | 8X18 |
| 125mm | 5" | GSND125-140 | 255 | 125 | 210 | 8X18 |
| 150mm | 6" | GSND150 | 280 | 143 | 235 | 8X18 |
| 150mm | 6" | GSND150-180 | 280 | 160 | 235 | 8X18 |
| 200mm | 8" | GSND200 | 335 | 177 | 292 | 8X18 |
| 200mm | 8" | GSND200-225 | 335 | 200 | 292 | 8X18 |
| 250mm | 10" | GSND250 | 405 | 225 | 356 | 8X22 |
| 250mm | 10" | GSND250-280 | 405 | 250 | 356 | 8X22 |
| 300mm | 12" | GSND300 | 455 | 280 | 406 | 12X22 |
| 350mm | 14" | GSND/E350 | 455 | 315 | 406 | 12X22 |
| 400mm | 16" | GSND/E400 | 580 | 355 | 521 | 12X26 |
| 450mm | 18" | GSND450 | 640 | 400 | 584 | 12X26 |
| 500mm | 20" | GSND/E500 | 705 | 445 | 641 | 16X26 |
| 550mm | 22" | GSND/E550 | 760 | 500 | 699 | 16X30 |
| 600mm | 24" | GSND600 | 825 | 560 | 756 | 16X30 |
| 700mm | 28" | GSND700 | | | | |
| 800mm | 32" | GSND/E800 | 1060 | 709 | 985 | 20X36 |
| 900mm | 36" | GSND900 | | | | |

3mm Stub Insertion Rubber Table E

| Size (mm) | Imperial Size (Inch) | Code | OD (mm) | ID (mm) | PCD (mm) | Bolt Holes NO. x DIA |
|-----------|----------------------|-------------|---------|---------|----------|----------------------|
| 100mm | 4" | GSNE100 | 215 | 98 | 178 | 8X18 |
| 125mm | 5" | GSND/E125 | 255 | 111 | 210 | 8X18 |
| 125mm | 5" | GSNE125-140 | 255 | 125 | 210 | 8X18 |
| 150mm | 6" | GSNE150 | 280 | 143 | 235 | 8X22 |
| 150mm | 6" | GSNE150-180 | 280 | 160 | 235 | 8X22 |
| 200mm | 8" | GSNE200 | 335 | 177 | 292 | 8X22 |
| 200mm | 8" | GSNE200-225 | 335 | 200 | 292 | 8X22 |
| 250mm | 10" | GSNE250 | 405 | 225 | 356 | 12X22 |
| 250mm | 10" | GSNE250-280 | 405 | 250 | 356 | 12X22 |
| 300mm | 12" | GSNE300 | 455 | 280 | 406 | 12X26 |
| 350mm | 14" | GSND/E350 | 455 | 315 | 406 | 12X22 |
| 400mm | 16" | GSND/E400 | 580 | 355 | 521 | 12X26 |
| 450mm | 18" | GSNE450 | 640 | 400 | 584 | 16X26 |
| 500mm | 20" | GSND/E500 | 705 | 445 | 641 | 16X26 |
| 550mm | 22" | GSND/E550 | 760 | 500 | 699 | 16X30 |
| 600mm | 24" | GSNE600 | 825 | 560 | 756 | 16X33 |
| 700mm | 28" | GSNE700 | | | | |
| 800mm | 32" | GSND/E800 | 1060 | 709 | 985 | 20X36 |
| 900mm | 36" | GSNE900 | | | | |

Gaskets suit respective backing rings.



3mm Stub EPDM Rubber Table D

| Size (mm) | Imperial Size (Inch) | Code | OD (mm) | ID (mm) | PCD (mm) | Bolt Holes NO. x DIA |
|-----------|----------------------|-------------|---------|---------|----------|----------------------|
| 100mm | 4" | GSED100 | 215 | 98 | 178 | 4X18 |
| 125mm | 5" | GSED/E125 | 255 | 111 | 210 | 8X18 |
| 125mm | 5" | GSED125-140 | 255 | 125 | 210 | 8X18 |
| 150mm | 6" | GSED150 | 280 | 143 | 235 | 8X18 |
| 150mm | 6" | GSED150-180 | 280 | 160 | 235 | 8X18 |
| 200mm | 8" | GSED200 | 335 | 177 | 292 | 8X18 |
| 200mm | 8" | GSED200-225 | 335 | 200 | 292 | 8X18 |
| 250mm | 10" | GSED250 | 405 | 225 | 356 | 8X22 |
| 250mm | 10" | GSED250-280 | 405 | 250 | 356 | 8X22 |
| 300mm | 12" | GSED300 | 455 | 280 | 406 | 12X22 |
| 350mm | 14" | GSED/E350 | 455 | 315 | 406 | 12X22 |
| 400mm | 16" | GSED/E400 | 580 | 355 | 521 | 12X26 |
| 450mm | 18" | GSED450 | 640 | 400 | 584 | 12X26 |
| 500mm | 20" | GSED/E500 | 705 | 445 | 641 | 16X26 |
| 550mm | 22" | GSED/E550 | 760 | 500 | 699 | 16X30 |
| 600mm | 24" | GSED600 | 825 | 560 | 756 | 16X30 |

3mm Stub EPDM Rubber Table E

| Size (mm) | Imperial Size (Inch) | Code | OD (mm) | ID (mm) | PCD (mm) | Bolt Holes NO. x DIA |
|-----------|----------------------|-------------|---------|---------|----------|----------------------|
| 100mm | 4" | GSEE100 | 215 | 98 | 178 | 8X18 |
| 125mm | 5" | GSED/E125 | 255 | 111 | 210 | 8X18 |
| 125mm | 5" | GSEE125-140 | 255 | 125 | 210 | 8X18 |
| 150mm | 6" | GSEE150 | 280 | 143 | 235 | 8X22 |
| 150mm | 6" | GSEE150-180 | 280 | 160 | 235 | 8X22 |
| 200mm | 8" | GSEE200 | 335 | 177 | 292 | 8X22 |
| 200mm | 8" | GSEE200-225 | 335 | 200 | 292 | 8X22 |
| 250mm | 10" | GSEE250 | 405 | 225 | 356 | 12X22 |
| 250mm | 10" | GSEE250-280 | 405 | 250 | 356 | 12X22 |
| 300mm | 12" | GSEE300 | 455 | 280 | 406 | 12X26 |
| 350mm | 14" | GSED/E350 | 455 | 315 | 406 | 12X22 |
| 400mm | 16" | GSED/E400 | 580 | 355 | 521 | 12X26 |
| 450mm | 18" | GSEE450 | 640 | 400 | 584 | 16X26 |
| 500mm | 20" | GSED/E500 | 705 | 445 | 641 | 16X26 |
| 550mm | 22" | GSED/E550 | 760 | 500 | 699 | 16X30 |
| 600mm | 24" | GSEE600 | 825 | 560 | 756 | 16X33 |

Gaskets suit respective backing rings.

Nuts & Bolts



Calculating Bolt Length

Calculating the required bolt length of a stub flange system is dependent on the dimensions of the components shown in the picture. This catalogue shows Stub (TS), Flange (TF) and Gasket (TG) thickness.

Metric bolts are used with Table D and E, PN16 and PN21 Flanges. These bolts have a fixed thread length and selecting the right length of bolt is important to ensure the nut has sufficient length to tighten the system.

| Bolt Type | Nut Length | Thread Length |
|-----------|------------|---------------|
| M12 | 10.8 | 27 |
| M16 | 14.8 | 37 |
| M20 | 18 | 45 |
| M24 | 21.5 | 53.75 |
| M27 | 24 | 60 |
| M30 | 25.6 | 64 |
| 1/2" | 10.8 | 27 |
| 5/8" | 14.8 | 37 |

The minimum length of the bolt must be greater than the thickness of all components combined while allowing sufficient threads for the nut to tighten onto.

$$L_B - L_T > T_F + T_S + T_G + T_M$$

The maximum length of the bolt must ensure that the nut doesn't bottom out on the thread of the bolt before sufficiently tightening the system. Usually 1.5x the nut length is allowed for tightening.

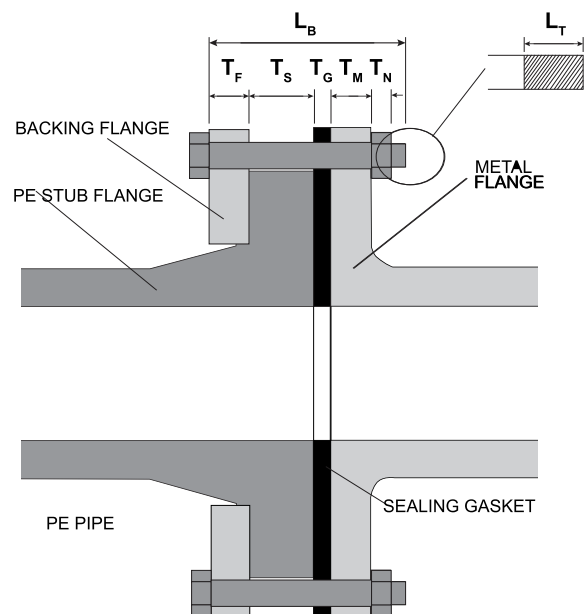
$$L_B - (1.5 \times T_N) < T_F + T_S + T_G + T_M$$

Metric studs are typically used instead of bolts with PN35 flanges. Studs are threaded along the entire length and there is, therefore, no maximum length.

The maximum length of the stud is determined by the same method for bolts.

Lengths listed in this catalogue are theoretical and have not made any provision for system compression or any tolerances. Please consult the relevant standards to ensure that the selected bolts are suitable for your application.

- T_S = STUB THICKNESS
- T_G = GASKET THICKNESS
- L_B = BOLT LENGTH
- L_T = THREAD LENGTH
- T_M = MATING FLANGE THICKNESS
- T_F = FLANGE THICKNESS



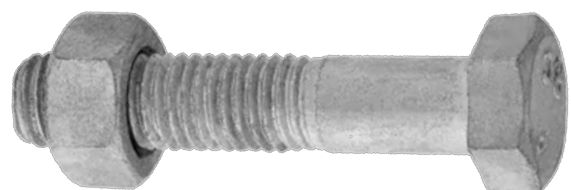
Galvanised Bolt & Nut

| M10 | | M12 | | M16 | | M16 | |
|-----------|-----------|-----------|-----------|-----------|-----------|-----------|-----------|
| Size (mm) | Code | Size (mm) | Code | Size (mm) | Code | Size (mm) | Code |
| 20 | BGM10-020 | 25 | BGM12-025 | 25 | BGM16-025 | 425 | BGM16-425 |
| 25 | BGM10-025 | 30 | BGM12-030 | 30 | BGM16-030 | 450 | BGM16-450 |
| 30 | BGM10-030 | 35 | BGM12-035 | 35 | BGM16-035 | 500 | BGM16-500 |
| 35 | BGM10-035 | 40 | BGM12-040 | 40 | BGM16-040 | 550 | BGM16-550 |
| 40 | BGM10-040 | 45 | BGM12-045 | 45 | BGM16-045 | 600 | BGM16-600 |
| 45 | BGM10-045 | 50 | BGM12-050 | 50 | BGM16-050 | 625 | BGM16-625 |
| 50 | BGM10-050 | 55 | BGM12-055 | 55 | BGM16-055 | 650 | BGM16-650 |
| 55 | BGM10-055 | 60 | BGM12-060 | 60 | BGM16-060 | | |
| 60 | BGM10-060 | 65 | BGM12-065 | 65 | BGM16-065 | | |
| 65 | BGM10-065 | 70 | BGM12-070 | 70 | BGM16-070 | | |
| 70 | BGM10-070 | 75 | BGM12-075 | 75 | BGM16-075 | | |
| 75 | BGM10-075 | 80 | BGM12-080 | 80 | BGM16-080 | | |
| 80 | BGM10-080 | 90 | BGM12-090 | 90 | BGM16-090 | | |
| 90 | BGM10-090 | 100 | BGM12-100 | 100 | BGM16-100 | | |
| 100 | BGM10-100 | 110 | BGM12-110 | 110 | BGM16-110 | | |
| 110 | BGM10-110 | 120 | BGM12-120 | 120 | BGM16-120 | | |
| 120 | BGM10-120 | 130 | BGM12-130 | 130 | BGM16-130 | | |
| 130 | BGM10-130 | 140 | BGM12-140 | 140 | BGM16-140 | | |
| 140 | BGM10-140 | 150 | BGM12-150 | 150 | BGM16-150 | | |
| 150 | BGM10-150 | 160 | BGM12-160 | 160 | BGM16-160 | | |
| 170 | BGM10-170 | 170 | BGM12-170 | 170 | BGM16-170 | | |
| 180 | BGM10-180 | 180 | BGM12-180 | 180 | BGM16-180 | | |
| 200 | BGM10-200 | 200 | BGM12-200 | 190 | BGM16-190 | | |
| 220 | BGM10-220 | 220 | BGM12-220 | 200 | BGM16-200 | | |
| 240 | BGM10-240 | 240 | BGM12-240 | 220 | BGM16-220 | | |
| 260 | BGM10-260 | 260 | BGM12-260 | 225 | BGM16-225 | | |
| 280 | BGM10-280 | 280 | BGM12-280 | 240 | BGM16-240 | | |
| 300 | BGM10-300 | 300 | BGM12-300 | 260 | BGM16-260 | | |
| | | 350 | BGM12-350 | 280 | BGM16-280 | | |
| | | 400 | BGM12-400 | 300 | BGM16-300 | | |
| | | 550 | BGM12-550 | 325 | BGM16-325 | | |
| | | 600 | BGM12-600 | 350 | BGM16-350 | | |
| | | | | 375 | BGM16-375 | | |
| | | | | 400 | BGM16-400 | | |



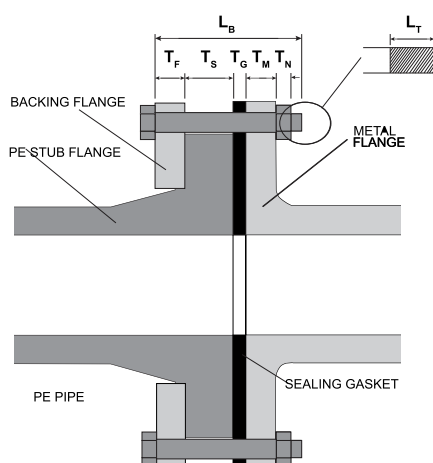
Galvanised Bolt & Nut

| M20 | | M24 | | M27 | | M30 | |
|-----------|-----------|-----------|-----------|-----------|-----------|-----------|-----------|
| Size (mm) | Code | Size (mm) | Code | Size (mm) | Code | Size (mm) | Code |
| 40 | BGM20-040 | 50 | BGM24-050 | 90 | BGM27-090 | 75 | BGM30-075 |
| 50 | BGM20-050 | 55 | BGM24-055 | 100 | BGM27-100 | 90 | BGM30-090 |
| 60 | BGM20-060 | 60 | BGM24-060 | 110 | BGM27-110 | 100 | BGM30-100 |
| 65 | BGM20-065 | 65 | BGM24-065 | 130 | BGM27-130 | 110 | BGM30-110 |
| 70 | BGM20-070 | 70 | BGM24-070 | 140 | BGM27-140 | 120 | BGM30-120 |
| 75 | BGM20-075 | 75 | BGM24-075 | 150 | BGM27-150 | 130 | BGM30-130 |
| 80 | BGM20-080 | 80 | BGM24-080 | 160 | BGM27-160 | 140 | BGM30-140 |
| 85 | BGM20-085 | 85 | BGM24-085 | 170 | BGM27-170 | 150 | BGM30-150 |
| 90 | BGM20-090 | 90 | BGM24-090 | 180 | BGM27-180 | 180 | BGM30-180 |
| 100 | BGM20-100 | 100 | BGM24-100 | 200 | BGM27-200 | 200 | BGM30-200 |
| 110 | BGM20-110 | 110 | BGM24-110 | 250 | BGM27-250 | 220 | BGM30-220 |
| 120 | BGM20-120 | 120 | BGM24-120 | | | 240 | BGM30-240 |
| 130 | BGM20-130 | 130 | BGM24-130 | | | 260 | BGM30-260 |
| 140 | BGM20-140 | 140 | BGM24-140 | | | 280 | BGM30-280 |
| 150 | BGM20-150 | 150 | BGM24-150 | | | 300 | BGM30-300 |
| 160 | BGM20-160 | 160 | BGM24-160 | | | 350 | BGM30-350 |
| 170 | BGM20-170 | 170 | BGM24-170 | | | 375 | BGM30-375 |
| 180 | BGM20-180 | 180 | BGM24-180 | | | 400 | BGM30-400 |
| 200 | BGM20-200 | 190 | BGM24-190 | | | 425 | BGM30-425 |
| 220 | BGM20-220 | 200 | BGM24-200 | | | 450 | BGM30-450 |
| 240 | BGM20-240 | 220 | BGM24-220 | | | 475 | BGM30-475 |
| 260 | BGM20-260 | 240 | BGM24-240 | | | 500 | BGM30-500 |
| 280 | BGM20-280 | 260 | BGM24-260 | | | 550 | BGM30-550 |
| 300 | BGM20-300 | 280 | BGM24-280 | | | 600 | BGM30-600 |
| 325 | BGM20-325 | 300 | BGM24-300 | | | 625 | BGM30-625 |
| 350 | BGM20-350 | 325 | BGM24-325 | | | 650 | BGM30-650 |
| 375 | BGM20-375 | 350 | BGM24-350 | | | 675 | BGM30-675 |
| 400 | BGM20-400 | 375 | BGM24-375 | | | 700 | BGM30-700 |
| 450 | BGM20-450 | 400 | BGM24-400 | | | 725 | BGM30-725 |
| 500 | BGM20-500 | 425 | BGM24-425 | | | 750 | BGM30-750 |
| 550 | BGM20-550 | 450 | BGM24-450 | | | 800 | BGM30-800 |
| 600 | BGM20-600 | 500 | BGM24-500 | | | | |
| 650 | BGM20-650 | 525 | BGM24-525 | | | | |
| 700 | BGM20-700 | 550 | BGM24-550 | | | | |
| 750 | BGM20-750 | 600 | BGM24-600 | | | | |
| 800 | BGM20-800 | 650 | BGM24-650 | | | | |



SS316 Bolt

| M10 | | M12 | | M16 | | M20 | |
|-----------|--------------|-----------|--------------|-----------|--------------|-----------|--------------|
| Size (mm) | Code | Size (mm) | Code | Size (mm) | Code | Size (mm) | Code |
| 40 | BS316M10-040 | 40 | BS316M12-040 | 50 | BS316M16-050 | 60 | BS316M20-060 |
| 45 | BS316M10-045 | 45 | BS316M12-045 | 55 | BS316M16-055 | 65 | BS316M20-065 |
| 50 | BS316M10-050 | 50 | BS316M12-050 | 60 | BS316M16-060 | 70 | BS316M20-070 |
| 55 | BS316M10-055 | 55 | BS316M12-055 | 65 | BS316M16-065 | 75 | BS316M20-075 |
| 60 | BS316M10-060 | 60 | BS316M12-060 | 70 | BS316M16-070 | 80 | BS316M20-080 |
| 65 | BS316M10-065 | 65 | BS316M12-065 | 75 | BS316M16-075 | 90 | BS316M20-090 |
| 70 | BS316M10-070 | 70 | BS316M12-070 | 80 | BS316M16-080 | 100 | BS316M20-100 |
| 75 | BS316M10-075 | 75 | BS316M12-075 | 90 | BS316M16-090 | 110 | BS316M20-110 |
| 80 | BS316M10-080 | 80 | BS316M12-080 | 100 | BS316M16-100 | 120 | BS316M20-120 |
| 90 | BS316M10-090 | 90 | BS316M12-090 | 110 | BS316M16-110 | 130 | BS316M20-130 |
| 100 | BS316M10-100 | 100 | BS316M12-100 | 120 | BS316M16-120 | 140 | BS316M20-140 |
| 110 | BS316M10-110 | 110 | BS316M12-110 | 130 | BS316M16-130 | 150 | BS316M20-150 |
| 120 | BS316M10-120 | 120 | BS316M12-120 | 140 | BS316M16-140 | 160 | BS316M20-160 |
| 130 | BS316M10-130 | 130 | BS316M12-130 | 150 | BS316M16-150 | 170 | BS316M20-170 |
| 140 | BS316M10-140 | 140 | BS316M12-140 | 160 | BS316M16-160 | 180 | BS316M20-180 |
| 150 | BS316M10-150 | 150 | BS316M12-150 | 170 | BS316M16-170 | 200 | BS316M20-200 |
| 160 | BS316M10-160 | 160 | BS316M12-160 | 180 | BS316M16-180 | 220 | BS316M20-220 |
| 180 | BS316M10-180 | 170 | BS316M12-170 | 200 | BS316M16-200 | 240 | BS316M20-240 |
| 200 | BS316M10-200 | 180 | BS316M12-180 | 220 | BS316M16-220 | 250 | BS316M20-250 |
| 220 | BS316M10-220 | 200 | BS316M12-200 | 240 | BS316M16-240 | 260 | BS316M20-260 |
| 240 | BS316M10-240 | 210 | BS316M12-210 | 260 | BS316M16-260 | 280 | BS316M20-280 |
| 250 | BS316M10-250 | 220 | BS316M12-220 | 270 | BS316M16-270 | 300 | BS316M20-300 |
| 260 | BS316M10-260 | 240 | BS316M12-240 | 280 | BS316M16-280 | 350 | BS316M20-350 |
| 280 | BS316M10-280 | 250 | BS316M12-250 | 300 | BS316M16-300 | 375 | BS316M20-375 |
| | | 260 | BS316M12-260 | 325 | BS316M16-325 | 400 | BS316M20-400 |
| | | 280 | BS316M12-280 | 350 | BS316M16-350 | 425 | BS316M20-425 |
| | | 300 | BS316M12-300 | 400 | BS316M16-400 | 450 | BS316M20-450 |
| | | 350 | BS316M12-350 | 450 | BS316M16-450 | 500 | BS316M20-500 |
| | | | | 500 | BS316M16-500 | 600 | BS316M20-600 |
| | | | | 550 | BS316M16-550 | 700 | BS316M20-700 |



T_S = STUB THICKNESS
 T_G = GASKET THICKNESS
 L_B = BOLT LENGTH
 L_T = THREAD LENGTH
 T_M = MATING FLANGE THICKNESS
 T_F = FLANGE THICKNESS

SS316 Bolt

| M24 | |
|-----------|--------------|
| Size (mm) | Code |
| 70 | BS316M24-070 |
| 75 | BS316M24-075 |
| 80 | BS316M24-080 |
| 90 | BS316M24-090 |
| 100 | BS316M24-100 |
| 110 | BS316M24-110 |
| 120 | BS316M24-120 |
| 130 | BS316M24-130 |
| 140 | BS316M24-140 |
| 150 | BS316M24-150 |
| 160 | BS316M24-160 |
| 170 | BS316M24-170 |
| 180 | BS316M24-180 |
| 200 | BS316M24-200 |
| 220 | BS316M24-220 |
| 240 | BS316M24-240 |
| 250 | BS316M24-250 |
| 260 | BS316M24-260 |
| 280 | BS316M24-280 |
| 300 | BS316M24-300 |
| 350 | BS316M24-350 |
| 400 | BS316M24-400 |
| 500 | BS316M24-500 |

| M30 | |
|-----------|--------------|
| Size (mm) | Code |
| 90 | BS316M30-090 |
| 100 | BS316M30-100 |
| 110 | BS316M30-110 |
| 120 | BS316M30-120 |
| 130 | BS316M30-130 |
| 140 | BS316M30-140 |
| 150 | BS316M30-150 |
| 160 | BS316M30-160 |
| 180 | BS316M30-180 |

| M33 | |
|-----------|--------------|
| Size (mm) | Code |
| 100 | BS316M33-100 |
| 110 | BS316M33-110 |
| 120 | BS316M33-120 |
| 130 | BS316M33-130 |
| 140 | BS316M33-140 |
| 160 | BS316M33-160 |
| 180 | BS316M33-180 |
| 220 | BS316M33-220 |
| 240 | BS316M33-240 |
| 250 | BS316M33-250 |
| 260 | BS316M33-260 |
| 280 | BS316M33-280 |

SS316 Nut

| SS316 Nut | |
|-----------|----------|
| Size (mm) | Code |
| 8 | NS316M08 |
| 10 | NS316M10 |
| 12 | NS316M12 |
| 16 | NS316M16 |
| 20 | NS316M20 |
| 24 | NS316M24 |
| 27 | NS316M27 |
| 30 | NS316M30 |
| 33 | NS316M33 |

Galvanised Washers

| Size (mm) | Code |
|-----------|--------|
| 10 | WFGM10 |
| 12 | WFGM12 |
| 16 | WFGM16 |
| 20 | WFGM20 |
| 24 | WFGM24 |
| 27 | WFGM27 |
| 30 | WFGM30 |
| 33 | WFGM33 |
| 36 | WFGM36 |

SS316 Washers

| Size (mm) | Code |
|-----------|-----------|
| 8 | WFS316M08 |
| 10 | WFS316M10 |
| 12 | WFS316M12 |
| 16 | WFS316M16 |
| 20 | WFS316M20 |
| 24 | WFS316M24 |
| 27 | WFS316M27 |
| 30 | WFS316M30 |
| 33 | WFS316M33 |



Galvanised Structural Assembly Bolts

| M12 | | M16 | | M24 | | M30 | |
|-----------|----------------|-----------|----------------|-----------|----------------|-----------|----------------|
| Size (mm) | Code | Size (mm) | Code | Size (mm) | Code | Size (mm) | Code |
| 30 | BGSA8.8M12-030 | 40 | BGSA8.8M16-040 | 50 | BGSA8.8M24-050 | 75 | BGSA8.8M30-075 |
| 35 | BGSA8.8M12-035 | 45 | BGSA8.8M16-045 | 55 | BGSA8.8M24-055 | 80 | BGSA8.8M30-080 |
| 40 | BGSA8.8M12-040 | 50 | BGSA8.8M16-050 | 60 | BGSA8.8M24-060 | 85 | BGSA8.8M30-085 |
| 45 | BGSA8.8M12-045 | 55 | BGSA8.8M16-055 | 65 | BGSA8.8M24-065 | 90 | BGSA8.8M30-090 |
| 50 | BGSA8.8M12-050 | 60 | BGSA8.8M16-060 | 70 | BGSA8.8M24-070 | 100 | BGSA8.8M30-100 |
| 60 | BGSA8.8M12-060 | 65 | BGSA8.8M16-065 | 75 | BGSA8.8M24-075 | 110 | BGSA8.8M30-110 |
| 70 | BGSA8.8M12-070 | 70 | BGSA8.8M16-070 | 80 | BGSA8.8M24-080 | 120 | BGSA8.8M30-120 |
| 80 | BGSA8.8M12-080 | 75 | BGSA8.8M16-075 | 85 | BGSA8.8M24-085 | 130 | BGSA8.8M30-130 |
| 90 | BGSA8.8M12-090 | 80 | BGSA8.8M16-080 | 90 | BGSA8.8M24-090 | 140 | BGSA8.8M30-140 |
| 100 | BGSA8.8M12-100 | 90 | BGSA8.8M16-090 | 100 | BGSA8.8M24-100 | 150 | BGSA8.8M30-150 |
| | | 100 | BGSA8.8M16-100 | 110 | BGSA8.8M24-110 | 160 | BGSA8.8M30-160 |
| | | 110 | BGSA8.8M16-110 | 120 | BGSA8.8M24-120 | 180 | BGSA8.8M30-180 |
| | | 120 | BGSA8.8M16-120 | 130 | BGSA8.8M24-130 | 200 | BGSA8.8M30-200 |
| | | 130 | BGSA8.8M16-130 | 140 | BGSA8.8M24-140 | 220 | BGSA8.8M30-220 |
| | | 140 | BGSA8.8M16-140 | 150 | BGSA8.8M24-150 | 260 | BGSA8.8M30-260 |
| | | 150 | BGSA8.8M16-150 | 160 | BGSA8.8M24-160 | | |
| | | 160 | BGSA8.8M16-160 | 170 | BGSA8.8M24-170 | | |
| | | 180 | BGSA8.8M16-180 | 180 | BGSA8.8M24-180 | | |
| | | 200 | BGSA8.8M16-200 | 200 | BGSA8.8M24-200 | | |
| | | 240 | BGSA8.8M16-240 | 220 | BGSA8.8M24-220 | | |
| | | | | 240 | BGSA8.8M24-240 | | |
| | | | | 260 | BGSA8.8M24-260 | | |
| | | | | 280 | BGSA8.8M24-280 | | |
| | | | | 300 | BGSA8.8M24-300 | | |



Galvanised Structural Nuts

| Size | Code |
|------|--------|
| 12 | NSGM12 |
| 16 | NSGM16 |
| 20 | NSGM20 |
| 24 | NSGM24 |
| 30 | NSGM30 |
| 36 | NSGM33 |



Galvanised Threaded Rod

| Size | Code |
|----------|----------|
| M10 x 1m | RGTM10X1 |
| M10 x 3m | RGTM10X3 |
| M12 x 1m | RGTM12X1 |
| M12 x 3m | RGTM12X3 |
| M16 x 1m | RGTM16X1 |
| M16 x 3m | RGTM16X3 |
| M20 x 1m | RGTM20X1 |
| M20 x 3m | RGTM20X3 |
| M24 x 1m | RGTM24X1 |
| M24 x 3m | RGTM24X3 |
| M30 x 1m | RGTM30X1 |
| M30 x 3m | RGTM30X3 |
| M33 x 1m | RGTM33X1 |
| M36 x 1m | RGTM36X1 |



Polyethylene Pipe



GWG Valves and Poly Fittings also supply a large range of HDPE (PE 100) pipe, ranging in sizes from 20mm to 630mm. The smallest size pipes are available in coils, whereas the larger pipe can be supplied in 6m, 12m and sometimes 20m lengths.

All our pipe is Australian made to the highest standards (AS/NZS 4130) available in use for mines, civil works, sewer and waste water, domestic water, irrigation, aquaculture, process pipework and slurry lines to name a few. The pipe is available in a range of pressure ratings, such as PN4, PN6.3, PN10, PN12.6, PN16 and PN20.



Polyethylene Pipe - All Black

SDR17

| Size (mm) | Code | Length (m) | Unit |
|-----------|-------------|------------|--------|
| 63 | P17063-006 | 6 | Length |
| 75 | P17075-006 | 6 | Length |
| 90 | P17090-006 | 6 | Length |
| 90 | P17090-012 | 12 | Length |
| 110 | P17110-006 | 6 | Length |
| 110 | P17110-012 | 12 | Length |
| 125 | P17125-006 | 6 | Length |
| 125 | P17125-012 | 12 | Length |
| 140 | P17140-006 | 6 | Length |
| 140 | P17140-012 | 12 | Length |
| 160 | P17160-006 | 6 | Length |
| 160 | P17160-012 | 12 | Length |
| 180 | P17180-012 | 12 | Length |
| 200 | P17200-012 | 12 | Length |
| 225 | P17225-012 | 12 | Length |
| 250 | P17250-012 | 12 | Length |
| 280 | P17280-012 | 12 | Length |
| 315 | P17315-012 | 12 | Length |
| 355 | P17355-012 | 12 | Length |
| 400 | P17400-012 | 12 | Length |
| 450 | P17450-012 | 12 | Length |
| 500 | P17500-012 | 12 | Length |
| 560 | P17560-012 | 12 | Length |
| 630 | P17630-012 | 12 | Length |
| 710 | P17710-012 | 12 | Length |
| 800 | P17800-006 | 6 | Length |
| 800 | P17800-012 | 12 | Length |
| 900 | P17900-012 | 12 | Length |
| 1000 | P171000-006 | 6 | Length |

SDR11

| Size (mm) | Code | Length (m) | Unit |
|-----------|-------------|------------|--------|
| 20 | P11020-006 | 6 | Length |
| 25 | P11025-006 | 6 | Length |
| 32 | P11032-006 | 6 | Length |
| 40 | P11040-006 | 6 | Length |
| 50 | P11050-006 | 6 | Length |
| 63 | P11063-006 | 6 | Length |
| 63 | P11063-012 | 12 | Length |
| 75 | P11075-006 | 6 | Length |
| 90 | P11090-006 | 6 | Length |
| 90 | P11090-012 | 12 | Length |
| 110 | P11110-006 | 6 | Length |
| 110 | P11110-012 | 12 | Length |
| 125 | P11125-006 | 6 | Length |
| 125 | P11125-012 | 12 | Length |
| 140 | P11140-012 | 12 | Length |
| 160 | P11160-006 | 6 | Length |
| 160 | P11160-012 | 12 | Length |
| 180 | P11180-012 | 12 | Length |
| 200 | P11200-012 | 12 | Length |
| 225 | P11225-012 | 12 | Length |
| 250 | P11250-012 | 12 | Length |
| 280 | P11280-012 | 12 | Length |
| 315 | P11315-012 | 12 | Length |
| 355 | P11355-012 | 12 | Length |
| 400 | P11400-012 | 12 | Length |
| 450 | P11450-012 | 12 | Length |
| 500 | P11500-012 | 12 | Length |
| 560 | P11560-012 | 12 | Length |
| 630 | P11630-012 | 12 | Length |
| 710 | P11710-012 | 12 | Length |
| 800 | P11800-006 | 6 | Length |
| 800 | P11800-012 | 12 | Length |
| 1000 | P111000-006 | 6 | Length |

Polyethylene Pipe - Blueline

SDR17

| Size (mm) | Code | Length (m) | Unit |
|-----------|-------------|------------|--------|
| 20 | PB17020-006 | 6 | Length |
| 25 | PB17025-006 | 6 | Length |
| 32 | PB17032-006 | 6 | Length |
| 40 | PB17040-006 | 6 | Length |
| 50 | PB17050-006 | 6 | Length |
| 63 | PB17063-006 | 6 | Length |
| 75 | PB17075-006 | 6 | Length |
| 90 | PB17090-006 | 6 | Length |
| 90 | PB17090-012 | 12 | Length |
| 110 | PB17110-012 | 12 | Length |
| 125 | PB17125-012 | 12 | Length |
| 140 | PB17140-012 | 12 | Length |
| 160 | PB17160-012 | 12 | Length |
| 180 | PB17180-012 | 12 | Length |
| 200 | PB17200-012 | 12 | Length |
| 225 | PB17225-012 | 12 | Length |
| 250 | PB17250-012 | 12 | Length |
| 280 | PB17280-012 | 12 | Length |
| 315 | PB17315-012 | 12 | Length |
| 355 | PB17355-012 | 12 | Length |
| 400 | PB17400-012 | 12 | Length |
| 450 | PB17450-012 | 12 | Length |
| 500 | PB17500-012 | 12 | Length |
| 560 | PB17560-006 | 6 | Length |
| 560 | PB17560-012 | 12 | Length |
| 630 | PB17630-012 | 12 | Length |

All pipe is available in a range of pressure ratings (including SDR41, SDR26, SDR21, SDR13.6 and SDR9) and colours (including redline and creamline) upon request. Coils and 20m lengths also available upon request.

SDR11

| Size (mm) | Code | Length (m) | Unit |
|-----------|-------------|------------|--------|
| 20 | PB11020-006 | 6 | Length |
| 25 | PB11025-006 | 6 | Length |
| 32 | PB11032-006 | 6 | Length |
| 40 | PB11040-006 | 6 | Length |
| 50 | PB11050-006 | 6 | Length |
| 63 | PB11063-006 | 6 | Length |
| 75 | PB11075-006 | 6 | Length |
| 90 | PB11090-006 | 6 | Length |
| 90 | PB11090-012 | 12 | Length |
| 110 | PB11110-012 | 12 | Length |
| 125 | PB11125-012 | 12 | Length |
| 140 | PB11140-012 | 12 | Length |
| 160 | PB11160-012 | 12 | Length |
| 180 | PB11180-012 | 12 | Length |
| 200 | PB11200-012 | 12 | Length |
| 225 | PB11225-012 | 12 | Length |
| 250 | PB11250-012 | 12 | Length |
| 280 | PB11280-012 | 12 | Length |
| 315 | PB11315-012 | 12 | Length |
| 355 | PB11355-012 | 12 | Length |
| 400 | PB11400-012 | 12 | Length |
| 450 | PB11450-012 | 12 | Length |
| 500 | PB11500-012 | 12 | Length |
| 560 | PB11560-006 | 6 | Length |
| 560 | PB11560-012 | 12 | Length |
| 630 | PB11630-012 | 12 | Length |



Polyethylene Pipe - Corrugated

HDPE (PE100) corrugated pipes are manufactured from the highest quality materials and are the most technologically advanced product available to move stormwater and waste water.

Stormwater management is a critical component to ensure the long-term viability of public and private economic investments. Our corrugated pipe meets the critical demands of engineering, design and contractor communities and are manufactured in accordance with AS/NZS (5065). HDPE (PE 100) corrugated pipe is the proven, reliable, cost-effective and safe solution to your long-term drainage needs.

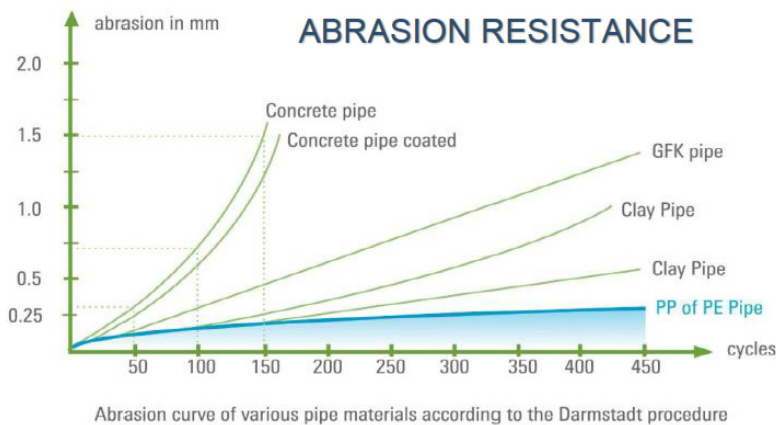
HDPE (PE100) corrugated pipes are manufactured with a co-extruded twin wall. The end product is a smooth bore inner layer and a corrugated outer layer, which provides a high stiffness to weight ratio for non-pressure applications.

Corrugated pipe is advantageous as the rubber ring jointed pipes require no further welding or couplings. Our pipe offers high resistance to abrasion and corrosion which is important when considering installing into aggressive soils.



AS/NZS 5065:2005 Polyethylene and polypropylene pipes and fittings for drainage and sewerage applications.

AS/NZS 5065:2005 specifies requirements for polyethylene (PE) and polypropylene (PP) pipes and fittings for sewerage and drainage applications, above and below ground, inside and outside of buildings, and is intended to be operating under gravity flow and the operating pressure is low. It includes requirements for both plain and structures wall pipes and fittings.



Polyethylene pipes are among the most abrasion resistant pipes in the world. This has been tested in the Darmstadt procedure. The results are shown in the diagram above and support the quality of polyethylene pipes.



Polyethylene Pipe - Corrugated

| Code | DN (mm) | OD (mm) | ID (mm) | Overall Length (m) | Effective Length (m) | SN | Joining Method | Weight (kg) |
|-------|---------|---------|---------|--------------------|----------------------|----|----------------|-------------|
| PC100 | 100 | 110 | 95 | 6 | 6 | 8 | Rubber Ring | 6 |
| PC150 | 150 | 160 | 138 | 6 | 6 | 8 | Rubber Ring | 10 |
| PC225 | 225 | 257 | 223 | 6.07 | 5.95 | 8 | Rubber Ring | 19 |
| PC300 | 300 | 339 | 294 | 6.06 | 5.915 | 8 | Rubber Ring | 32 |
| PC375 | 375 | 425 | 371 | 6.02 | 5.84 | 8 | Rubber Ring | 50 |
| PC450 | 450 | 508 | 438 | 6.03 | 5.83 | 8 | Rubber Ring | 80 |
| PC525 | 525 | 595 | 514 | 6.03 | 5.76 | 8 | Rubber Ring | 104 |
| PC600 | 600 | 672 | 591 | 6.04 | 5.75 | 8 | Rubber Ring | 126 |
| PC750 | 750 | 835 | 731 | 6.148 | 5.75 | 8 | Rubber Ring | 178 |
| PC900 | 900 | 995 | 869 | 6.01 | 5.71 | 8 | Rubber Ring | 274 |

Corrugated Pipe Advantages

LONG LIFE HDPE (PE100) pipes have proven reliability across a range of applications of around 50 years. The Water Services Association of Australia (WSAA) Polyethylene Pipe Code predicts a life in excess of 100 years before major rehabilitation is required.

INSTALLATION - The installation time is shorter than other materials as the standard pipe lengths are between 5.5 and 6 metres long. Fewer lifts mean unloading and loading the pipes into position saves even more time. Longer lengths can be shop fabricated on request.

CHEMICAL CORROSION RESISTANCE - Our corrugated pipes are manufactured from HDPE (PE100) material and have excellent resistance internally and externally to protect against aggressive soils, chemicals and corrosions.

EFFECTIVE ROUGHNESS - Due to its low roughness, there is almost no accumulation on the pipe bottom and as such pipes have the ability to self-purify. Low roughness has an important economic advantage as maintenance expenditure is kept to a minimum. Due to the low roughness, the hydraulic properties are improved and small diameters are required compared to conventional pipe materials with the same flow rate. Our pipes convey flows up to 17% greater than corrugated steel pipes.

PIPE WEIGHT - The low weight pipe allows simpler and faster installation.

COST EFFECTIVE - Corrugated pipe is a competitively priced solution compared to alternative systems. Due to its light weight and joining system, this enables a faster installation.

UV RESISTANCE - Commonly most natural materials and other plastics are degraded by weathering effects, particularly by the combined impact of short-wave ultraviolet radiation in sunlight and atmospheric oxygen.

Black polyethylene pipes are permanently resistant to atmospheric corrosion and UV radiation, as the polyethylene used contains carbon black which acts as both a pigment and an ultraviolet stabiliser. Thus the pipes can be used and stored outside without the pipe material being damaged.

RESISTANCE TO MICRO ORGANISMS - Polyethylene is not nutrient media for bacteria, fungi and spores, so that the material is resistant to all forms of microbial attack as well as both sulphurous acid and sulphates.



Tooling



Electrofusion Tooling

IPLAST 105 Control Unit

| Fittings Working Range | Code | Weight (kg) |
|------------------------|-----------|-------------|
| 20-1200mm | IPLAST105 | 24 |

Strengths:

- Able to weld fittings up to a diameter of 1600 mm
- Able to deliver constant power of 65A for 6 hours or 105A for a maximum time of 1400 seconds
- Safety output current system powered by a double insulation transformer with galvanic separation for maximum work safety at job site.



IPLAST 60 Control Unit

| Fittings Working Range | Code | Weight (kg) |
|------------------------|----------|-------------|
| 20-400mm | IPLAST60 | 18.5 |

Strengths:

- Able to weld fittings up to a diameter of 400mm
- Duty cycle @20°C: 100%=50A / 60%=70A / 30%=90A
- Degree of protection IP54. The casing design, made using the latest technology, ensures thorough cooling of electrical parts via a cooling fan.



IPLAST 30 Control Unit

| Fittings Working Range | Code | Weight (kg) |
|------------------------|----------|-------------|
| 20-160mm | IPLAST30 | 13 |

Strengths:

- Able to weld fittings up to a diameter of 160 mm
- Used in the construction of small pressurized water, gas and fluid systems.
- Supplied with universal adapters and a shoulder bag for easy transport



GWG Welding Wipes



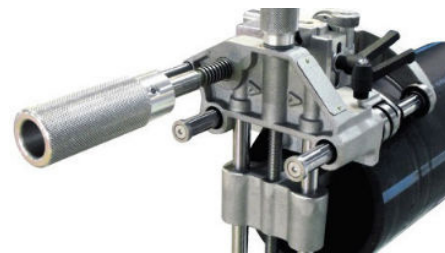
| Tool | Code |
|-------------------|---------|
| GWG Welding Wipes | EFWIPES |

These specialised moist wipes are impregnated with a high specification solution containing 90% V/V Isopropyl Alcohol.

Ensure surfaces are clean before butt or electrofusion jointing (scraping of pipe surface is still required). 75 sheets per canister.

Pipe End Peeler

| Working Range (mm) | Code |
|--------------------|-------------|
| 63-225mm | EFPEP063225 |
| 90-355mm | EFPEP090355 |
| 110-500mm | EFPEP110500 |



Technical Data



Tables with various important datasets, including PN/SDR pressure rating dimensions, chemical resistance of polyethylene and an imperial/metric conversion table.

Product Dimensions

| DN | Ovality Max | PN4 SDR 41 | | | | PN5 SDR 33 | | | | PN6.3 SDR 26 | | | | PN8 SDR 21 | | | |
|------|-------------|---------------|----------|---------|-------------|---------------|----------|---------|-------------|-----------------|----------|---------|-------------|---------------|----------|---------|-------------|
| | | Min Wall | Max Wall | Mean ID | Weight (kg) | Min Wall | Max Wall | Mean ID | Weight (kg) | Min Wall | Max Wall | Mean ID | Weight (kg) | Min Wall | Max Wall | Mean ID | Weight (kg) |
| 16 | 1.2 | - | - | - | - | - | - | - | - | - | - | - | - | - | - | - | - |
| 20 | 1.2 | - | - | - | - | - | - | - | - | - | - | - | - | - | - | - | - |
| 25 | 1.2 | - | - | - | - | - | - | - | - | - | - | - | - | - | - | - | - |
| 32 | 1.3 | - | - | - | - | - | - | - | - | - | - | - | - | 1.6 | 1.9 | 28.70 | 0.16 |
| 40 | 1.4 | - | - | - | - | - | - | - | - | - | - | - | - | 1.9 | 2.2 | 36.10 | 0.24 |
| 50 | 1.4 | - | - | - | - | - | - | - | - | - | - | - | - | 2.4 | 2.8 | 45 | 0.38 |
| 63 | 1.5 | - | - | - | - | - | - | - | - | 2.4 | 2.8 | 58.10 | 0.48 | 3 | 3.4 | 56.90 | 0.58 |
| 75 | 1.6 | - | - | - | - | 2.3 | 2.7 | 69.60 | 0.54 | 2.9 | 3.3 | 69.20 | 0.68 | 3.6 | 4.1 | 67.70 | 0.83 |
| 90 | 1.8 | - | - | - | - | 2.8 | 3.2 | 83.60 | 0.78 | 3.5 | 4 | 83.00 | 0.99 | 4.3 | 4.9 | 81.30 | 1.20 |
| 110 | 2.2 | 2.7 | 3.1 | 104.70 | 0.95 | 3.4 | 3.9 | 102.20 | 1.15 | 4.3 | 4.9 | 101.30 | 1.48 | 5.3 | 6 | 99.20 | 1.80 |
| 125 | 2.5 | 3.1 | 3.6 | 118.90 | 1.24 | 3.9 | 4.4 | 116.20 | 1.49 | 4.8 | 5.4 | 115.40 | 1.86 | 6 | 6.7 | 112.90 | 2.30 |
| 140 | 2.8 | 3.5 | 4 | 133.20 | 1.56 | 4.3 | 4.9 | 130.20 | 1.85 | 5.4 | 6.1 | 129.20 | 2.35 | 6.7 | 7.5 | 126.50 | 2.87 |
| 160 | 3.2 | 4 | 4.5 | 152.30 | 2.02 | 4.9 | 5.5 | 149 | 2.44 | 6.2 | 7 | 147.60 | 3.08 | 7.7 | 8.6 | 144.50 | 3.77 |
| 180 | 3.6 | 4.4 | 5 | 171.50 | 2.51 | 5.5 | 6.2 | 167.60 | 3.06 | 6.9 | 7.7 | 166.30 | 3.84 | 8.6 | 9.6 | 163.10 | 4.74 |
| 200 | 4 | 4.9 | 5.5 | 190.50 | 3.08 | 6.2 | 7 | 186 | 3.77 | 7.7 | 8.6 | 184.60 | 4.76 | 9.6 | 10.7 | 180.60 | 5.87 |
| 225 | 4.5 | 5.5 | 6.2 | 214.40 | 3.90 | 6.9 | 7.7 | 209.60 | 4.79 | 8.6 | 9.6 | 207.90 | 5.98 | 10.8 | 12 | 203.30 | 7.42 |
| 250 | 5 | 6.2 | 7 | 238 | 4.89 | 7.7 | 8.6 | 232.80 | 5.90 | 9.6 | 10.7 | 230.90 | 7.41 | 11.9 | 13.2 | 226 | 9.08 |
| 280 | 9.8 | 6.9 | 7.7 | 266.70 | 6.06 | 8.6 | 9.6 | 260.80 | 7.41 | 10.7 | 11.9 | 258.70 | 9.25 | 13.4 | 14.9 | 253 | 11.46 |
| 315 | 11.1 | 7.7 | 8.6 | 300.20 | 7.62 | 9.7 | 10.8 | 293.40 | 9.34 | 12.1 | 13.5 | 290.90 | 11.78 | 15 | 16.6 | 284.90 | 14.40 |
| 355 | 12.5 | 8.7 | 9.7 | 338.20 | 9.69 | 10.9 | 12.1 | 330.80 | 11.85 | 13.6 | 15.1 | 327.90 | 14.89 | 16.9 | 18.7 | 321 | 18.28 |
| 400 | 14 | 9.8 | 10.9 | 380 | 12.28 | 12.3 | 13.7 | 372.60 | 15.02 | 15.3 | 17 | 369.50 | 18.88 | 19.1 | 21.2 | 361.50 | 23.31 |
| 450 | 15.6 | 11 | 12.2 | 428.90 | 15.49 | 13.8 | 15.3 | 419.40 | 19.04 | 17.2 | 19.1 | 415.80 | 23.87 | 21.5 | 23.8 | 406.80 | 29.48 |
| 500 | 17.5 | 12.3 | 13.7 | 476.30 | 19.28 | 15.3 | 17 | 466 | 23.52 | 19.1 | 21.2 | 462.00 | 29.45 | 23.9 | 26.4 | 452 | 36.37 |
| 560 | 19.6 | 13.7 | 15.2 | 533.60 | 24.00 | 17.2 | 19.1 | 521.80 | 29.49 | 21.4 | 23.7 | 517.40 | 36.91 | 26.7 | 29.5 | 506.40 | 45.52 |
| 630 | 22.1 | 15.4 | 17.1 | 600.40 | 30.37 | 19.3 | 21.4 | 587.20 | 37.26 | 24.1 | 26.7 | 582.10 | 46.77 | 30 | 33.1 | 569.80 | 57.50 |
| 710 | 24.9 | 17.4 | 19.3 | 676.50 | 38.65 | 21.8 | 24.1 | 661.80 | 47.30 | 27.2 | 30.1 | 655.90 | 59.45 | 33.9 | 37.4 | 641.90 | 73.22 |
| 800 | 28 | 19.6 | 21.7 | 762.30 | 48.01 | 24.5 | 27.1 | 745.80 | 60.09 | 30.6 | 33.8 | 739.20 | 75.29 | 38.1 | 42.1 | 723.40 | 92.80 |
| 900 | 31.5 | 22 | 24.3 | 857.80 | 61.81 | 27.6 | 30.5 | 839 | - | 34.4 | 38 | 831.70 | 95.23 | 42.9 | 47.3 | 813.90 | 117.42 |
| 1000 | 35 | 24.5 | 27.1 | 952.90 | 76.54 | 30.6 | 33.8 | 932.40 | - | 38.2 | 42.2 | 924.10 | 117.5 | 47.7 | 52.6 | 904.20 | 145.07 |
| 1200 | 42 | 29.4 | 32.5 | 1143.10 | 110.14 | 36.7 | 40.5 | 1119 | - | 45.9 | 50.6 | 1108.50 | 169.18 | 57.2 | 63.1 | 1084.70 | 208.73 |
| 1400 | 49 | 34.4 | 38 | 1332.60 | 150.19 | 42.9 | 47.3 | 1305.40 | - | 53.2 | 58.7 | 1293.10 | 239.54 | 66.7 | 73.5 | 1266.10 | 283.64 |
| 1600 | 56 | 39.3 | 43.3 | 1522.30 | 195.75 | 49 | 54 | 1492 | - | 61.3 | 67.6 | 1476.10 | 300.95 | 76.2 | 84 | 1447 | 370.23 |
| 1800 | - | 43.8 | 48.3 | 1716 | 245.95 | 54.5 | 60.1 | 1679.80 | - | 69.1 | 76.2 | 1662.80 | 382.16 | 85.7 | 94.4 | 1628 | 468.94 |
| 2000 | - | 48.8 | 53.8 | 1906.40 | 304.41 | 60.6 | 66.8 | 1866.40 | - | 76.9 | 84.7 | 1847.40 | 472.24 | 95.2 | 104.9 | 1808.90 | 578.91 |



Product Dimensions

| DN | PN10 SDR 17 | | | | PN12.5 SDR 13.6 | | | | PN16 SDR 11 | | | | PN20 SDR 9 | | | | PN25 SDR 7.4 | | | |
|------|----------------|----------|---------|-------------|--------------------|----------|---------|-------------|----------------|----------|---------|-------------|---------------|----------|---------|-------------|-----------------|----------|---------|-------------|
| | Min Wall | Max Wall | Mean ID | Weight (kg) | Min Wall | Max Wall | Mean ID | Weight (kg) | Min Wall | Max Wall | Mean ID | Weight (kg) | Min Wall | Max Wall | Mean ID | Weight (kg) | Min Wall | Max Wall | Mean ID | Weight (kg) |
| 16 | - | - | - | - | - | - | - | - | 1.6 | 1.9 | 12.70 | 0.08 | 1.8 | 2.1 | 12.3 | 0.08 | 2.2 | 2.6 | 11.4 | 0.10 |
| 20 | - | - | - | - | 1.6 | 1.9 | 16.7 | 0.10 | 1.9 | 2.2 | 16 | 0.11 | 2.3 | 2.7 | 15.2 | 0.13 | 2.8 | 3.2 | 14.2 | 0.16 |
| 25 | 1.6 | 1.9 | 21.70 | 0.12 | 1.9 | 2.2 | 21 | 0.14 | 2.3 | 2.7 | 20.20 | 0.17 | 2.8 | 3.2 | 19.2 | 0.20 | 3.5 | 4 | 17.7 | 0.24 |
| 32 | 1.9 | 2.2 | 28 | 0.19 | 2.4 | 2.8 | 27 | 0.23 | 2.9 | 3.3 | 26 | 0.27 | 3.6 | 4.1 | 24.5 | 0.33 | 4.4 | 5 | 22.8 | 0.39 |
| 40 | 2.4 | 2.8 | 35 | 0.30 | 3 | 3.4 | 33.8 | 0.36 | 3.7 | 4.2 | 32.30 | 0.43 | 4.5 | 5.1 | 30.6 | 0.52 | 5.5 | 6.2 | 28.5 | 0.61 |
| 50 | 3 | 3.4 | 43.90 | 0.46 | 3.7 | 4.2 | 42.4 | 0.55 | 4.6 | 5.2 | 40.40 | 0.67 | 5.6 | 6.3 | 28.4 | 0.80 | 6.9 | 7.7 | 35.7 | 0.95 |
| 63 | 3.8 | 4.3 | 55.20 | 0.73 | 4.7 | 5.3 | 53.3 | 0.88 | 5.8 | 6.5 | 51 | 1.07 | 7.1 | 8 | 48.2 | 1.28 | 8.6 | 9.6 | 45.1 | 1.50 |
| 75 | 4.5 | 5.1 | 65.80 | 1.03 | 5.5 | 6.2 | 63.7 | 1.23 | 6.8 | 7.6 | 61 | 1.49 | 8.4 | 9.4 | 57.6 | 1.79 | 10.3 | 11.5 | 53.6 | 2.13 |
| 90 | 5.4 | 6.1 | 79 | 1.48 | 6.6 | 7.4 | 76.5 | 1.77 | 8.2 | 9.2 | 73 | 2.16 | 10.1 | 11.3 | 69.1 | 2.59 | 12.3 | 13.7 | 64.5 | 3.05 |
| 110 | 6.6 | 7.4 | 96.50 | 2.20 | 8.1 | 9.1 | 93.3 | 2.66 | 10 | 11.1 | 89.40 | 3.20 | 12.3 | 13.7 | 84.5 | 3.84 | 15.1 | 16.8 | 78.6 | 4.57 |
| 125 | 7.4 | 8.3 | 109.90 | 2.80 | 9.2 | 10.3 | 106.1 | 3.42 | 11.4 | 12.7 | 101.50 | 4.15 | 14 | 15.5 | 96.1 | 4.96 | 17.1 | 19 | 89.5 | 5.88 |
| 140 | 8.3 | 9.3 | 123 | 3.52 | 10.3 | 11.5 | 118.9 | 4.29 | 12.7 | 14.1 | 113.90 | 5.17 | 15.7 | 17.4 | 107.6 | 6.23 | 19.2 | 21.3 | 100.2 | 7.39 |
| 160 | 9.5 | 10.6 | 140.70 | 4.59 | 11.8 | 13.1 | 135.9 | 5.60 | 14.6 | 16.2 | 130 | 6.78 | 17.9 | 19.8 | 123 | 8.11 | 21.9 | 24.2 | 114.7 | 9.62 |
| 180 | 10.7 | 11.9 | 158.30 | 5.81 | 13.3 | 14.8 | 152.8 | 7.10 | 16.4 | 18.2 | 146.30 | 8.58 | 20.1 | 22.3 | 138.5 | 10.26 | 24.6 | 27.2 | 129.1 | 12.16 |
| 200 | 11.9 | 13.2 | 175.80 | 7.16 | 14.7 | 16.3 | 170 | 8.71 | 18.2 | 20.2 | 162.50 | 10.57 | 22.4 | 24.8 | 153.7 | 12.68 | 27.3 | 30.2 | 143.4 | 15.00 |
| 225 | 13.4 | 14.9 | 197.80 | 9.09 | 16.6 | 18.4 | 191 | 11.06 | 20.5 | 22.7 | 182.90 | 13.39 | 25.1 | 27.8 | 173.2 | 16.00 | 30.8 | 24 | 161.3 | 19.02 |
| 250 | 14.8 | 16.4 | 220 | 11.14 | 18.4 | 20.4 | 212.4 | 13.63 | 22.7 | 25.1 | 203.40 | 16.46 | 27.9 | 30.8 | 192.5 | 19.73 | 34.2 | 27.8 | 179.2 | 23.48 |
| 280 | 16.6 | 18.4 | 246.30 | 13.99 | 20.6 | 22.8 | 237.9 | 17.08 | 25.4 | 28.1 | 227.80 | 20.64 | 31.3 | 34.6 | 215.4 | 24.80 | 38.3 | 42.3 | 200.7 | 29.44 |
| 315 | 18.7 | 20.7 | 276.60 | 17.72 | 23.2 | 25.7 | 267.6 | 21.64 | 28.6 | 31.6 | 256.30 | 26.13 | 35.2 | 38.9 | 242.4 | 31.38 | 43 | 47.4 | 226.1 | 37.16 |
| 355 | 21.1 | 23.4 | 312.10 | 22.56 | 26.1 | 28.9 | 301.6 | 27.43 | 32.2 | 35.6 | 288.80 | 33.16 | 39.6 | 43.7 | 273.3 | 39.76 | 48.5 | 53.5 | 254.6 | 47.24 |
| 400 | 23.7 | 26.2 | 351.90 | 28.50 | 29.4 | 32.5 | 339.9 | 34.79 | 36.3 | 40.1 | 325.40 | 42.10 | 44.7 | 49.3 | 307.8 | 50.55 | 54.6 | 60.2 | 287 | 59.92 |
| 450 | 26.7 | 29.5 | 395.90 | 36.11 | 33.1 | 36.6 | 382.4 | 44.07 | 40.9 | 45.1 | 366.10 | 53.31 | 50.2 | 55.4 | 346.5 | 63.90 | 61.5 | 67.8 | 322.8 | 75.92 |
| 500 | 29.6 | 32.7 | 439.90 | 44.48 | 36.8 | 40.6 | 424.9 | 54.38 | 45.4 | 50.1 | 406.80 | 65.78 | 55.8 | 61.5 | 385 | 48.86 | - | - | - | - |
| 560 | 33.2 | 36.7 | 492.70 | 55.89 | 41.2 | 45.5 | 475.8 | 68.22 | 50.8 | 56 | 455.80 | 82.40 | 62.5 | 68.9 | 430.3 | 98.83 | - | - | - | - |
| 630 | 37.3 | 41.2 | 554.40 | 70.62 | 46.3 | 51.1 | 535.5 | 86.23 | 57.2 | 63.1 | 512.60 | 104.42 | 70.3 | 77.5 | 484.1 | 125.20 | - | - | - | - |
| 710 | 42.1 | 46.5 | 624.60 | 89.82 | 52.2 | 57.6 | 603.4 | 109.55 | 64.5 | 71.1 | 577.60 | 132.64 | 79.3 | 87.4 | 546.5 | 159.13 | - | - | - | - |
| 800 | 47.4 | 52.3 | 703.90 | 113.89 | 58.8 | 64.8 | 680 | 138.96 | 72.5 | 80 | 651 | 168.11 | 89.3 | 98.4 | 615.9 | 201.90 | - | - | - | - |
| 900 | 53.5 | 59 | 791.70 | 144.55 | 66.2 | 73 | 764.9 | 176.04 | 81.7 | 90 | 732.40 | 212.91 | - | - | - | - | - | - | - | - |
| 1000 | 59.3 | 65.4 | 879.80 | 178.06 | 72.5 | 79.9 | 852.1 | 214.41 | 90.2 | 99.4 | 814.90 | 261.40 | - | - | - | - | - | - | - | - |
| 1200 | 67.9 | 74.8 | 1062.70 | 245.17 | 88.2 | 97.2 | 1020 | 312.54 | - | - | - | - | - | - | - | - | - | - | - | - |
| 1400 | 82.4 | 90.8 | 1233.10 | 346.07 | 102.9 | 113.3 | 1173.4 | - | - | - | - | - | - | - | - | - | - | - | - | - |
| 1600 | 94.1 | 103.7 | 1409.40 | 451.49 | 117.6 | 129.5 | 1341 | - | - | - | - | - | - | - | - | - | - | - | - | - |
| 1800 | 105.9 | 116.6 | 1566.80 | - | - | - | - | - | - | - | - | - | - | - | - | - | - | - | - | - |
| 2000 | 117.6 | 129.5 | 1741 | - | - | - | - | - | - | - | - | - | - | - | - | - | - | - | - | - |



Chemical Resistance - Polyethylene

| Component | | | | Pipe and Fittings | | | Elastometric Seals | | | |
|-----------------------------------|---|------------------|---------------|-------------------|------|------|--------------------|------|------|------|
| Name | Formula | Remark | Concentration | HDPE | | | NBR | EPDM | FPM | SBR |
| | | | | 20°C | 40°C | 60°C | 20°C | 20°C | 20°C | 20°C |
| Benzene Sulfonic Acid | C ₆ H ₅ SO ₃ H | Aqueous Solution | 10 | - | | | 4 | 4 | 1 | 4 |
| Benzene (free of PB and aromatic) | C ₅ H ₁₂ /C ₁₂ H ₂₆ | Technically Pure | 100 | + | + | / | 4 | 4 | 1 | 4 |
| Benzonic Acid | C ₆ H ₅ COOH | Aqueous Solution | Saturated | + | + | + | 4 | 4 | 1 | 4 |
| Benzyl Alcohol | C ₆ H ₅ CH ₂ OH | Technically Pure | 100 | + | + | / | 4 | 1 | 1 | 4 |
| Bleaching Lye | NaClO+NaCl | | 12.5% Cl | / | / | | 4 | 1 | 1 | 4 |
| Borax | Na ₂ B ₄ O ₇ | Aqueous Solution | All | + | + | + | 1 | 1 | 1 | 1 |
| Boric Acid | H ₃ BO ₃ | Aqueous Solution | Saturated | + | + | + | 1 | 1 | 1 | 1 |
| Brine | | | Comm. Comp. | + | | | | | | |
| Bromic Acid | HBrO ₃ | | 10 | + | + | + | 4 | 1 | 1 | 4 |
| Bromine (liquid) | Br ₂ | Technically Pure | 100 | - | | | 4 | 3 | 2 | 4 |
| Bromine (liquid) | Br ₂ | | High | - | | | 4 | 4 | 1 | 4 |
| Butadine | CH ₂ =CH-CH=CH ₂ | Gas | 100 | + | | | 3 | 4 | 2 | 4 |
| Butane Gas | CH ₃ CH ₂ CH ₂ CH ₃ | | 100 | + | + | + | 2 | 4 | 2 | 4 |
| Butanediol | OHCH ₂ CH ₂ CH ₂ CH ₂ O | Aqueous Solution | 10 | + | + | + | | | | |
| Butanediol | OHCH ₂ CH ₂ CH ₂ CH ₂ O | Aqueous Solution | Concentrated | / | - | - | | | | |
| Butyl Acetate | CH ₃ COOCH ₂ CH ₂ CH ₂ | Technically Pure | 100 | / | / | / | 4 | 2 | 4 | 4 |
| Butyl Alcohol | CH ₃ (CH ₂) ₃ OH | Technically Pure | 100 | + | + | + | 1 | 2 | 1 | 1 |
| Butyl Ether | (CH ₃ (CH ₂) ₃) ₂ O | Technically Pure | 100 | / | - | - | 4 | 3 | 4 | 4 |
| Butyl Phenol | C ₄ H ₉ C ₆ H ₄ OH | Technically Pure | 100 | - | | | 4 | 4 | 2 | 4 |
| Butyl Phthalate | HOOC ₆ H ₄ COOC ₄ H ₉ | Technically Pure | 100 | + | / | / | | | | |
| Butylene | CH ₂ =CH-CH ₂ CH ₂ | Liquid | 100 | - | | | 2 | 4 | 1 | 4 |
| Butylene Glycol | OHCH ₂ -CH ₂ -CH ₂ - | Technically Pure | 100 | + | + | + | 1 | 1 | 1 | 1 |
| Butylene | CH ₂ =CH-CH ₂ CH ₃ | Technically Pure | 100 | - | | | 2 | 4 | 1 | 4 |
| Burtyric Acid | CH ₃ CH ₂ CH ₂ COOH | Aqueous Solution | 20 | + | + | / | | | | |
| Burtyric Acid | CH ₃ CH ₂ CH ₂ COOH | Technically Pure | 100 | + | + | / | | | | |
| Calcium Acetate | Ca(CH ₃ COO) ₂ | Aqueous Solution | Saturated | + | + | + | 2 | 1 | 4 | 4 |
| Calcium Bisulfate | Ca(HSO ₃) ₂ | Aqueous Solution | Saturated | + | + | + | 2 | 1 | 2 | 2 |
| Calcium Carbonate | CaCO ₃ | Aqueous Solution | All | + | + | + | 1 | 1 | 1 | 1 |
| Calcium Chlorate | Ca(ClO ₃) ₂ | Aqueous Solution | Saturated | + | + | + | 1 | 1 | 1 | 1 |
| Calcium Chloride | CaCl ₂ | Aqueous Solution | All | + | + | + | 1 | 1 | 1 | 1 |
| Calcium Hydroxide | Ca(OH) ₂ | Aqueous Solution | All | + | + | + | 1 | 1 | 1 | 1 |

Chemical Resistance - Polyethylene

| Component | | | | Pipe and Fittings | | | Elastometric Seals | | | |
|-------------------------|---|------------------|---------------|-------------------|------|------|--------------------|------|------|------|
| Name | Formula | Remark | Concentration | HDPE | | | NBR | EPDM | FPM | SBR |
| | | | | 20°C | 40°C | 60°C | 20°C | 20°C | 20°C | 20°C |
| Calcium Hypochloride | Ca(ClO) ₂ | Aqueous Solution | Saturated | + | + | + | 4 | 1 | 1 | 4 |
| Calcium Nitrate | Ca(CO ₃) ₂ | Aqueous Solution | 50 | + | + | + | 1 | 1 | 1 | 1 |
| Calcium Sulfate | CaSO ₄ | Aqueous Solution | Saturated | + | + | + | | | | |
| Calcium Sulfide | CaS | Aqueous Solution | Saturated | / | / | / | 1 | 1 | 1 | 2 |
| Camphor Oil | | | Comm. Comp. | - | - | | | | | |
| Carbon Dioxide | CO ₂ +H ₂ O | Aqueous Solution | Indetermined | + | + | + | 1 | 1 | 1 | 1 |
| Carbon Dioxide | CO ₂ | Gas | 100 | + | + | + | 1 | 1 | 1 | 1 |
| Carbon Disulfide | CS ₂ | Technically Pure | 100 | / | - | | 4 | 4 | 1 | 4 |
| Carbon Monoxide | CO | Gas | 100 | + | + | + | 2 | 2 | 1 | 2 |
| Carbon Tetrachloride | CCl ₄ | Technically Pure | 100 | - | | | | | | |
| Carbonic Acid | H ₂ CO ₃ | Aqueous Solution | Saturated | + | + | + | | | | |
| Chloramine | C ₆ H ₅ SO ₂ NNaCl | Aqueous Solution | Solution | + | | | | | | |
| Chloric Acid | HClO ₃ | Aqueous Solution | 20 | / | | | | | | |
| Chlorine | Cl ₂ | Wet | All | / | - | | 4 | 3 | 1 | 4 |
| Chlorine | Cl ₂ | Gas | 100 | / | / | - | 4 | 2 | 4 | 4 |
| Chlorine | Cl ₂ | Technically Pure | 100 | - | | | | | | |
| Chlorine Water | Cl ₂ +H ₂ O | | Saturated | / | / | | | | | |
| Chloro Benzene | C ₆ H ₅ Cl | Technically Pure | 100 | / | - | - | | | | |
| Chloro Sulfonic Acid | HClSO ₃ | Technically Pure | 100 | - | - | - | | | | |
| Chloroform | CHCl ₃ | Technically Pure | 100 | - | | | 4 | 4 | 2 | 4 |
| Chrome Alum | KCr(SO ₄) ₂ | Aqueous Solution | Saturated | + | + | + | | | | |
| Chrome Alum | KCr(SO ₄) ₂ | | Indetermined | + | + | + | | | | |
| Chromic Acid | CrO ₃ +H ₂ O | Aqueous Solution | 10 | / | - | - | 4 | 2/3 | 1 | 4 |
| Chromic Acid | CrO ₃ +H ₂ O | Aqueous Solution | 30 | / | - | - | 4 | 2/3 | 1 | 4 |
| Chromic Acid | CrO ₃ +H ₂ O | Aqueous Solution | 50 | / | - | - | 4 | 2/3 | 1 | 4 |
| Citric Acid | C ₃ H ₄ (OH)(COOH) ₃ | Aqueous Solution | 50 | + | + | + | 2 | 1 | 1 | 2 |
| Compressed Air with Oil | | | 100 | + | + | | | | | |
| Copper Acetate | Cu(COOCH ₃) ₂ | | Saturated | + | | | 2 | 1 | 4 | 4 |
| Copper Chloride | CuCl ₂ | Aqueous Solution | Saturated | + | + | + | 1 | 1 | 1 | 1 |
| Copper Fluoride | CuF ₂ | Aqueous Solution | All | + | + | + | 2 | 1 | 1 | 1 |
| Copper Nitrate | Cu(NO ₃) ₂ | Aqueous Solution | Indetermined | + | + | + | 2 | 1 | 1 | 1 |

Chemicals

In transporting chemicals, consideration needs to be given to the following factors:

- The medium
- Concentration of the medium
- Temperature
- Duration of the load
- Flow volume

The elastomer resistance list is intended as an aid for determining the suitability of a given seal. The indicated values refer to the volume of swelling for the rubber compound, which is only one of the indications for determining resistance. Chemical damage to the polymer chain can also lead to changes in mechanical properties such as tensile strength, elasticity at break, etc. The most commonly indicated values are measured at a temperature of 20°C. A longer exposure to a higher temperature can create more aggressive conditions that reduce the lifespan of elastomers.

Explanation of symbols used for PE pipes and fittings

| | |
|---|--|
| + | Resistant: based on performed tests, PE is in general a suitable material for this application |
| / | Limited resistance: further research required |
| - | Non-resistant |

- Empty field = the material has not been tested on this medium at this temperature.

Elastometric seals:

- Empty field = The elastomer has not been tested on this medium
- 1 = Little or no effect: volume change <10%, the elastomer can display slight swelling and/or loss of physical characteristics under heavy conditions
- 2 = Possible change of physical qualities: volume change of 10-20%, the elastomer can display swelling and a change of physical characteristics, may be suitable for structural applications
- 3 = Substantial change in physical characteristics: the elastomer displays a substantial change in volume and physical qualities
- 4 = Excessive change: elastomer is unsuitable

Abbreviations used:

- PE = Polyethylene
- NBR = Acrylonitrile butadiene
- EPDM = Ethylene propylene
- FPM = Fluorocarbon
- SBR = Styrol butadiene

Conversion Table

To use the conversion formulae, multiply the imperial measurement by the factor to convert to metric, or divide the metric measurement by the factor to convert to imperial.

| Imperial | Metric | Factor |
|---|---------------------|--------------------------|
| Length | | |
| inches | centimetres | 2.54 |
| feet | metres | 0.3048 |
| yards | metres | 0.9144 |
| miles | kilometres | 1.609344 |
| Mass | | |
| ounces | grams | 28.467523 |
| pounds | kilograms | 0.4535924 |
| stone | kilograms | 6.3502932 |
| ton | tonne | 1.01605 |
| Area | | |
| square inches | square centimetres | 6.4516 |
| square feet | square metres | 0.092903 |
| square yards | square metres | 0.836127 |
| square miles | square metres | 2.589988 |
| acres | hectares | 0.4046856 |
| Volume & Capacity | | |
| cubic inches | cubic centimetres | 16.387064 |
| cubic feet | cubic metres | 0.0283168 |
| cubic yards | cubic metres | 0.7645549 |
| pints | litres | 0.5682613 |
| UK gallons | litres | 4.54609 |
| Flow | | |
| 1 US gal/min | | |
| = 0.63 L/s | 1 L/s | = 15.85 US gal/min |
| = 63.0915 x 10 ⁶ m ³ /s | 1 m ³ /s | = 15850 US gal/min |
| = 0.2271 m ³ /h | 1 m ³ /h | = 4.403 US gal/min |
| 1 imperial gal/min | | |
| =0.076 L/s | 1 L/s | = 13.2 imperial gal/min |
| = 0.2728 m ³ /h | 1 m ³ /h | = 3.666 imperial gal/min |

References:

- DN (Diameter Nominal) - Pipe outside diameter (mm)
- PN (Pressure Nominal) - Pressure rating at 20° (MPa x 10)
- SDR - Min. OD / min. wall thickness (where OD refers to the outside diameter of the pipe)
- PE - Material type (Polyethylene)

